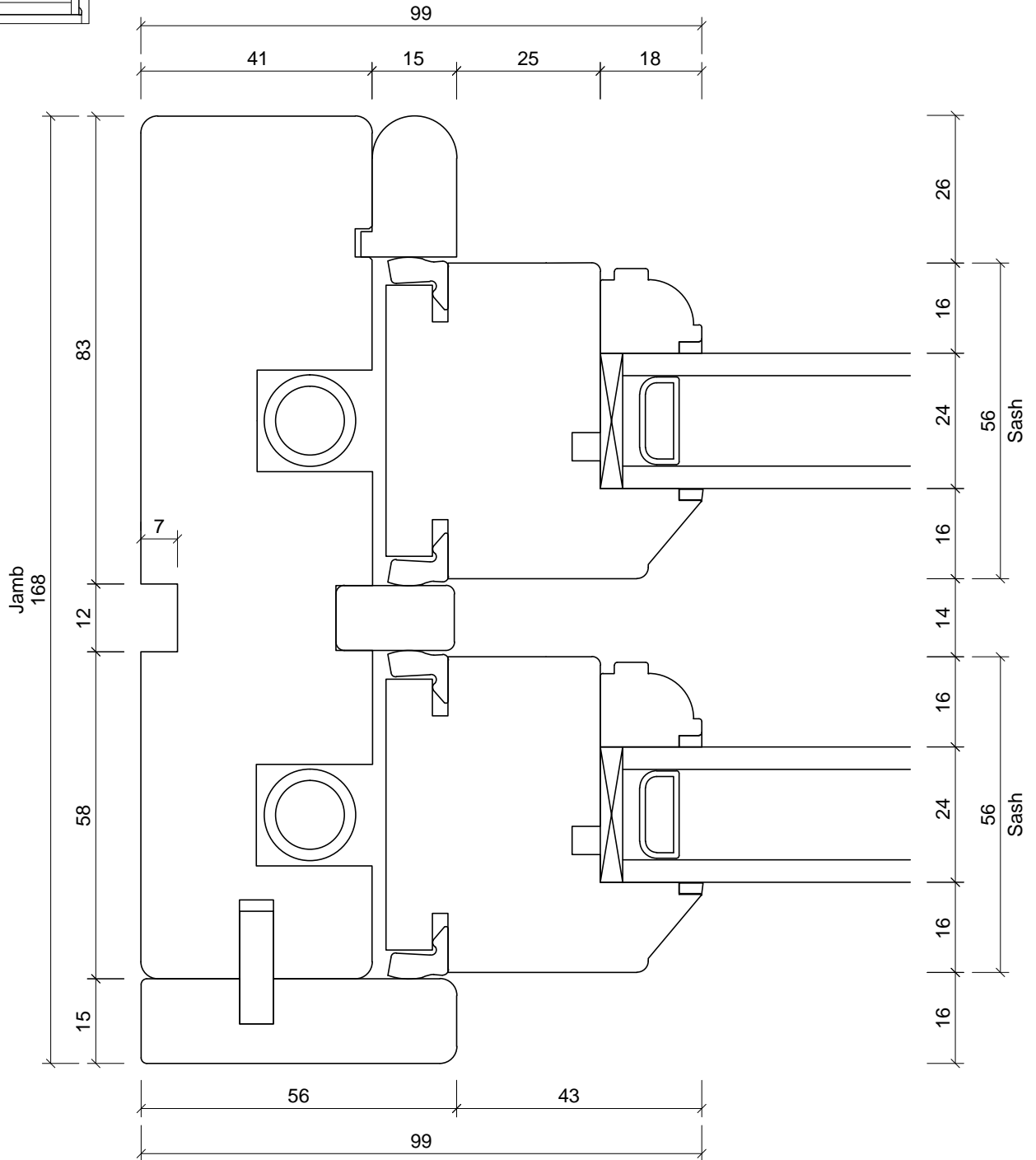
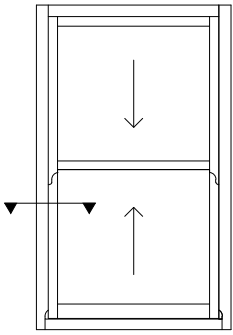


Unit 6
Ticehurst Yard
Tostock
Bury St Edmunds
Suffolk
IP30 9PH

Tel: 01359 272 646
sales@livingwoodwindows.co.uk
www.livingwoodwindows.co.uk

| | | |
|----------------|---|----------------------------|
| Unit Type: | Double Glazed Timber Traditional Sliding Sash Window Spiral Balance | Drawing No.: TSS/SB-101 |
| | | Date: 28/02/13 |
| Drawing Title: | Section Through Sill | Drawn By: JSE |
| | | Scale: NTS |

This drawing remains the property of Livingwood Windows Ltd and may not be reproduced without written permission. Livingwood Windows Ltd accepts no liability arising from any party acting on information contained within this drawing. It is advised that assistance is sought from Livingwood Windows Ltd regarding matters of an individual project.

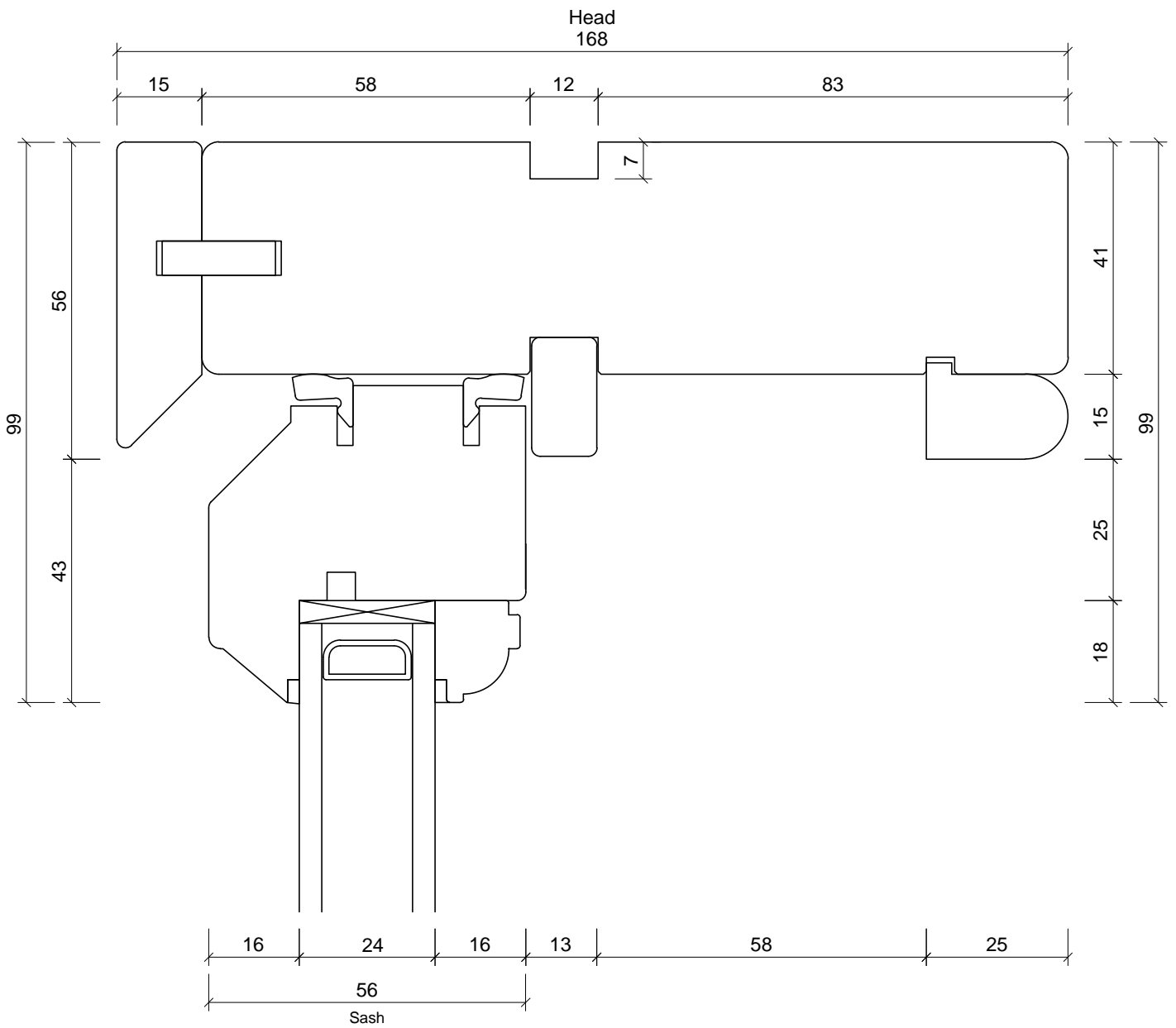
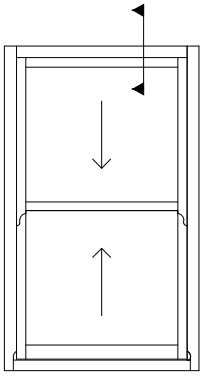


Unit 6
Ticehurst Yard
Tostock
Bury St Edmunds
Suffolk
IP30 9PH

Tel: 01359 272 646
sales@livingwoodwindows.co.uk
www.livingwoodwindows.co.uk

| | | |
|----------------|---|----------------------------|
| Unit Type: | Double Glazed Timber Traditional Sliding Sash Window Spiral Balance | Drawing No.: TSS/SB-102 |
| | | Date: 28/02/13 |
| Drawing Title: | Section Through Jamb | Drawn By: JSE |
| | | Scale: NTS |

This drawing remains the property of Livingwood Windows Ltd and may not be reproduced without written permission. Livingwood Windows Ltd accepts no liability arising from any party acting on information contained within this drawing. It is advised that assistance is sought from Livingwood Windows Ltd regarding matters of an individual project.

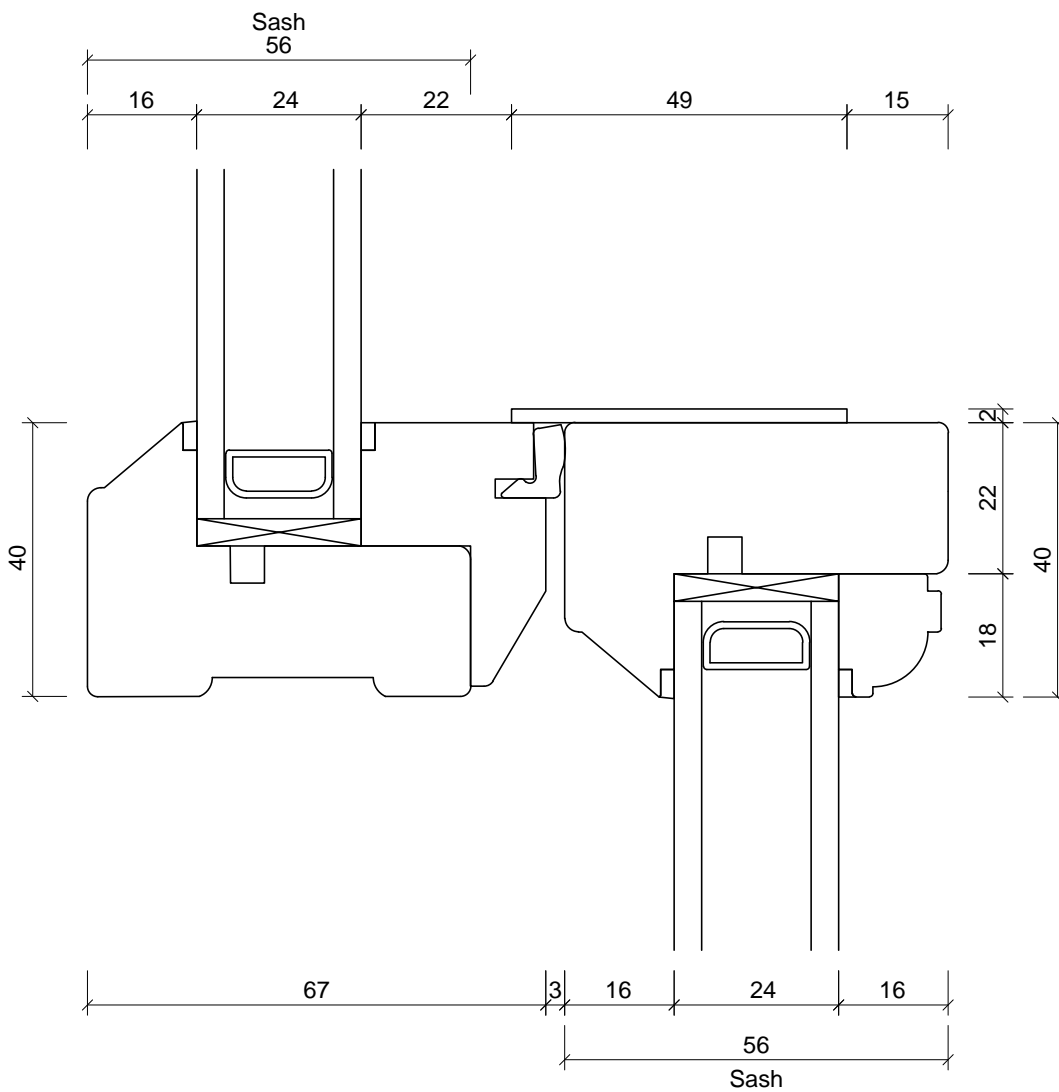
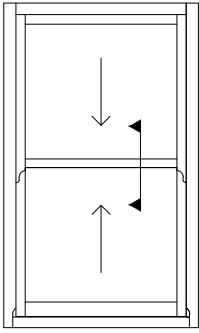


Unit 6
Ticehurst Yard
Tostock
Bury St Edmunds
Suffolk
IP30 9PH

Tel: 01359 272 646
sales@livingwoodwindows.co.uk
www.livingwoodwindows.co.uk

| | | |
|----------------|---|----------------------------|
| Unit Type: | Double Glazed Timber Traditional Sliding Sash Window Spiral Balance | Drawing No.: TSS/SB-103 |
| | | Date: 28/02/13 |
| Drawing Title: | Section Through Head | Drawn By: JSE |
| | | Scale: NTS |

This drawing remains the property of Livingwood Windows Ltd and may not be reproduced without written permission. Livingwood Windows Ltd accepts no liability arising from any party acting on information contained within this drawing. It is advised that assistance is sought from Livingwood Windows Ltd regarding matters of an individual project.



Unit 6
Ticehurst Yard
Tostock
Bury St Edmunds
Suffolk
IP30 9PH

Tel: 01359 272 646
sales@livingwoodwindows.co.uk
www.livingwoodwindows.co.uk

Unit Type:
Double Glazed Timber
Traditional Sliding Sash Window
Spiral Balance

Drawing Title:
Section Through Meeting Rails

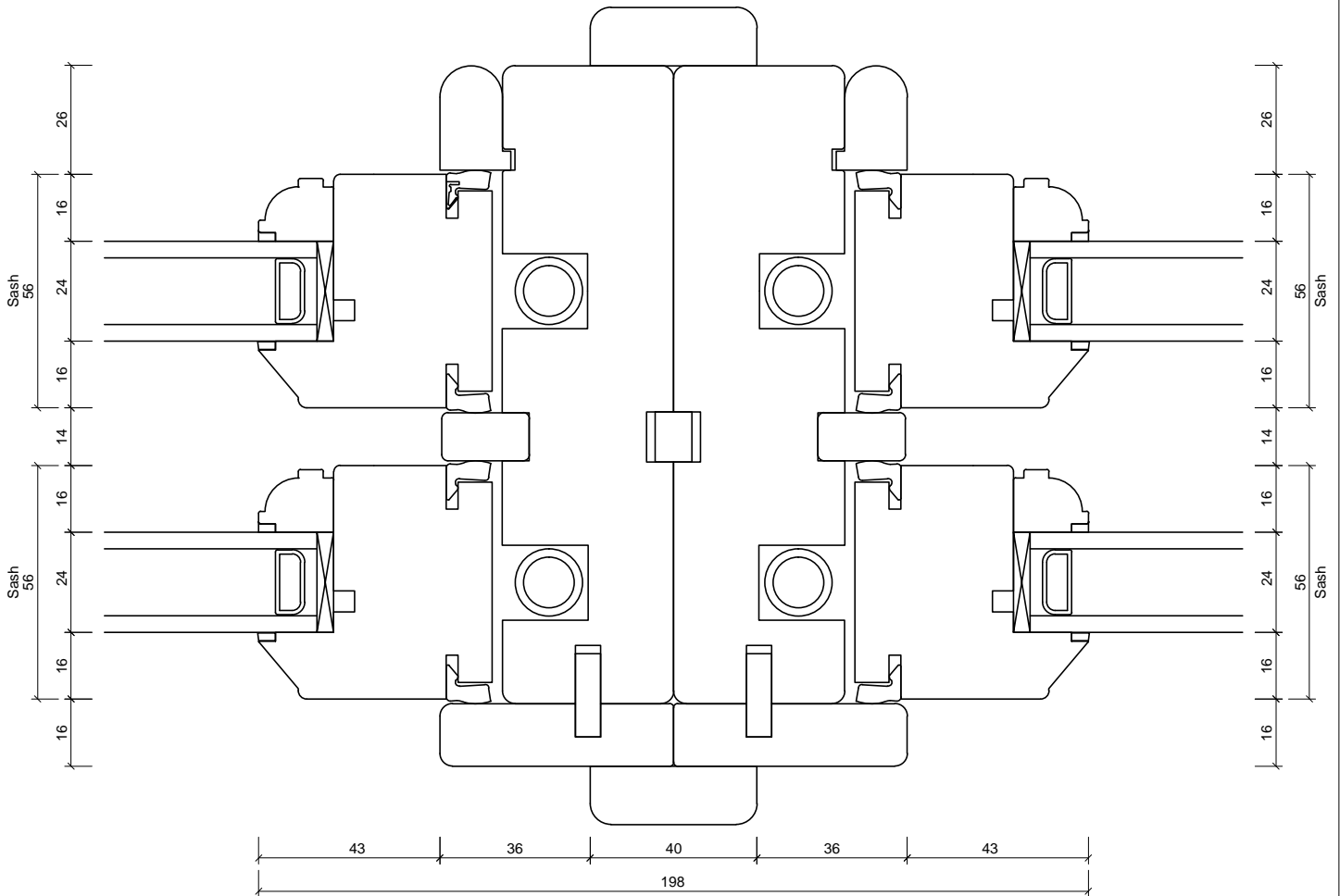
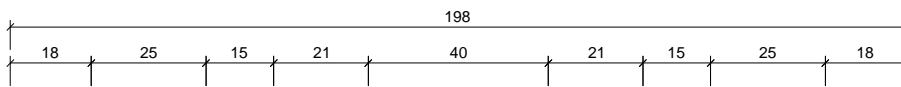
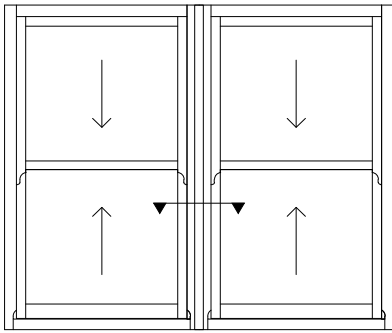
Drawing No.:
TSS/SB-104

Date:
28/02/13

Drawn By:
JSE

Scale:
NTS

This drawing remains the property of Livingwood Windows Ltd and may not be reproduced without written permission. Livingwood Windows Ltd accepts no liability arising from any party acting on information contained within this drawing. It is advised that assistance is sought from Livingwood Windows Ltd regarding matters of an individual project.



Unit 6
Ticehurst Yard
Tostock
Bury St Edmunds
Suffolk
IP30 9PH

Tel: 01359 272 646
sales@livingwoodwindows.co.uk
www.livingwoodwindows.co.uk

Unit Type:
**Double Glazed Timber
Traditional Sliding Sash Window
Spiral Balance**

Drawing Title:
Section Through Jamb/Jamb Connection

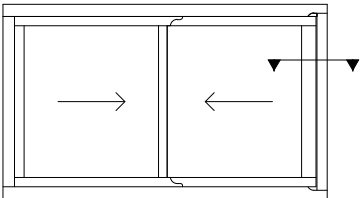
Drawing No.:
TSS/SB-105

Date:
28/02/13

Drawn By:
JSE

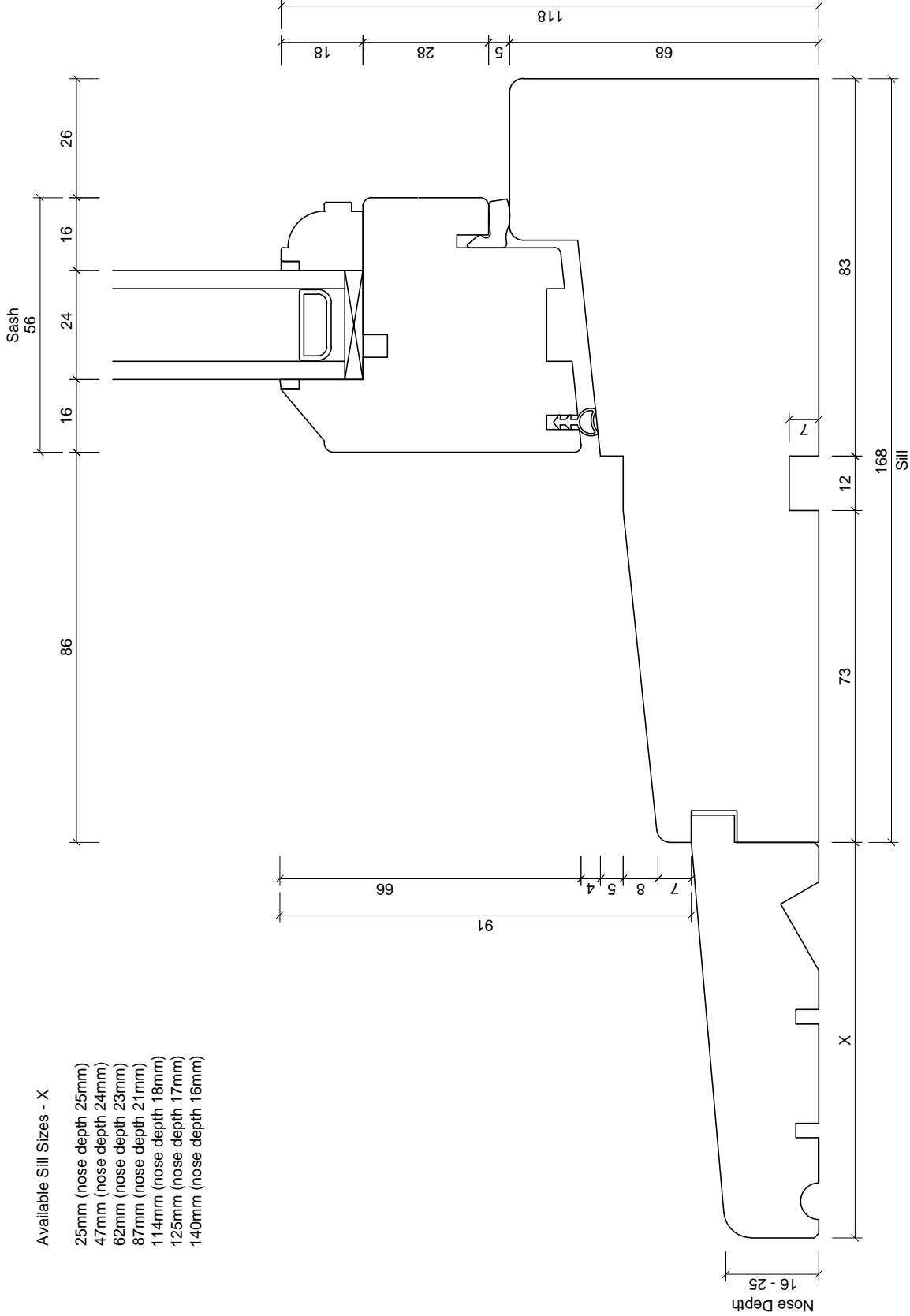
Scale:
NTS


This drawing remains the property of Livingwood Windows Ltd and may not be reproduced without written permission. Livingwood Windows Ltd accepts no liability arising from any party acting on information contained within this drawing. It is advised that assistance is sought from Livingwood Windows Ltd regarding matters of an individual project.



Available Sill Sizes - X

- 25mm (nose depth 25mm)
- 47mm (nose depth 24mm)
- 62mm (nose depth 23mm)
- 87mm (nose depth 21mm)
- 114mm (nose depth 18mm)
- 125mm (nose depth 17mm)
- 140mm (nose depth 16mm)



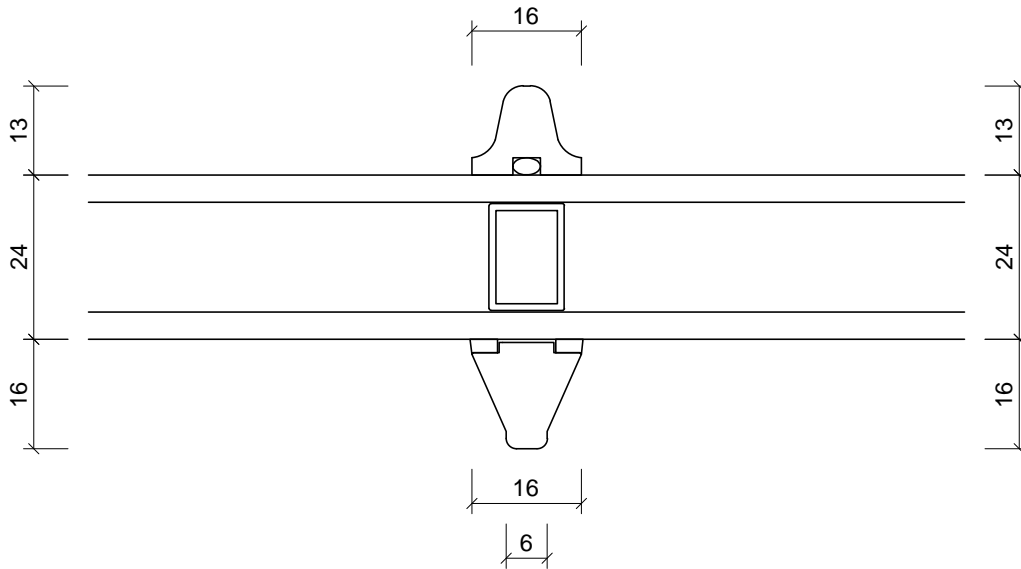
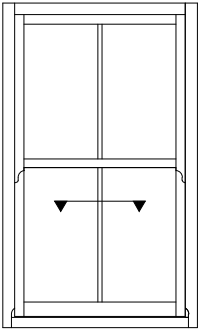


LIVINGWOOD
WINDOW & DOOR SPECIALISTS

Unit 6
Ticehurst Yard
Tostock
Bury St Edmunds
Suffolk
IP30 9PH

Tel: 01359 272 646
sales@livingwoodwindows.co.uk
www.livingwoodwindows.co.uk

| | | | |
|--|---|--------------|------------|
| Unit Type: | Double Glazed Timber Traditional Sliding Sash Window Spiral Balance | Drawing No.: | TSS/SB-201 |
| Drawing Title: | Section Through Sill Optional Timber Sill Extension | Date: | 28/02/13 |
| | | Drawn By: | JSE |
| | | Scale: | NTS |
| <small>This drawing remains the property of Livingwood Windows Ltd and may not be reproduced without written permission. Livingwood Windows Ltd accepts no liability arising from any party acting on information contained within this drawing. It is advised that assistance is sought from Livingwood Windows Ltd regarding matters of an individual project.</small> | | | |



Unit 6
Ticehurst Yard
Tostock
Bury St Edmunds
Suffolk
IP30 9PH

Tel: 01359 272 646
sales@livingwoodwindows.co.uk
www.livingwoodwindows.co.uk

Unit Type:
Double Glazed Timber
Traditional Sliding Sash Window
Spiral Balance

Drawing Title:
Section Through Glazing Bars
16mm Lambs Tongue

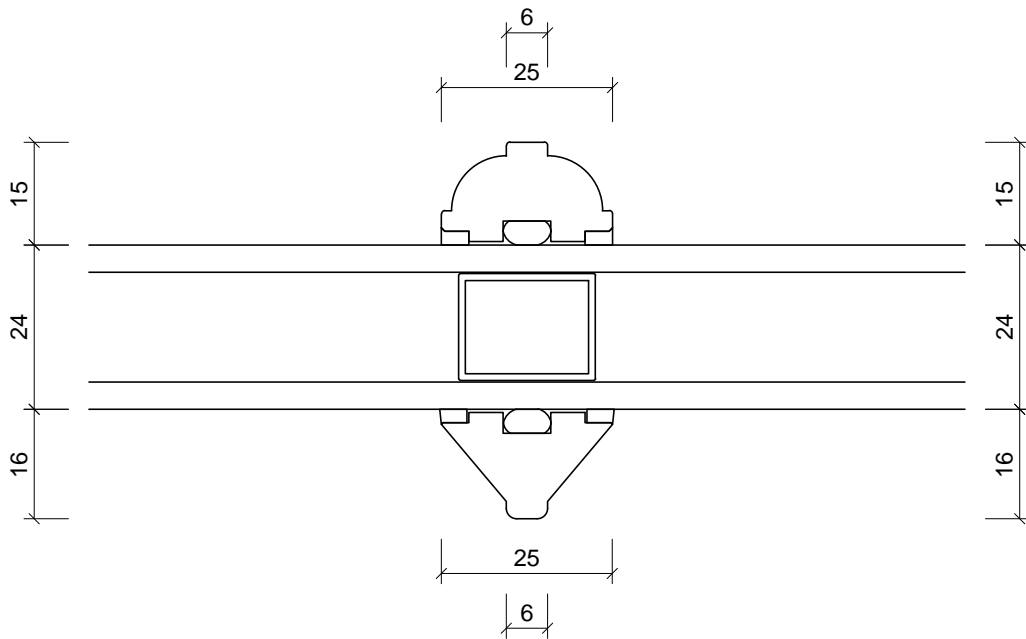
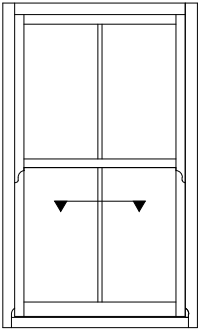
Drawing No.:
TSS/SB-601

Date:
28/02/13

Drawn By:
JSE

Scale:
NTS

This drawing remains the property of Livingwood Windows Ltd and may not be reproduced without written permission. Livingwood Windows Ltd accepts no liability arising from any party acting on information contained within this drawing. It is advised that assistance is sought from Livingwood Windows Ltd regarding matters of an individual project.



Unit 6
Ticehurst Yard
Tostock
Bury St Edmunds
Suffolk
IP30 9PH

Tel: 01359 272 646
sales@livingwoodwindows.co.uk
www.livingwoodwindows.co.uk

Unit Type:
Double Glazed Timber
Traditional Sliding Sash Window
Spiral Balance

Drawing Title:
Section Through Glazing Bars
25mm Ovolo

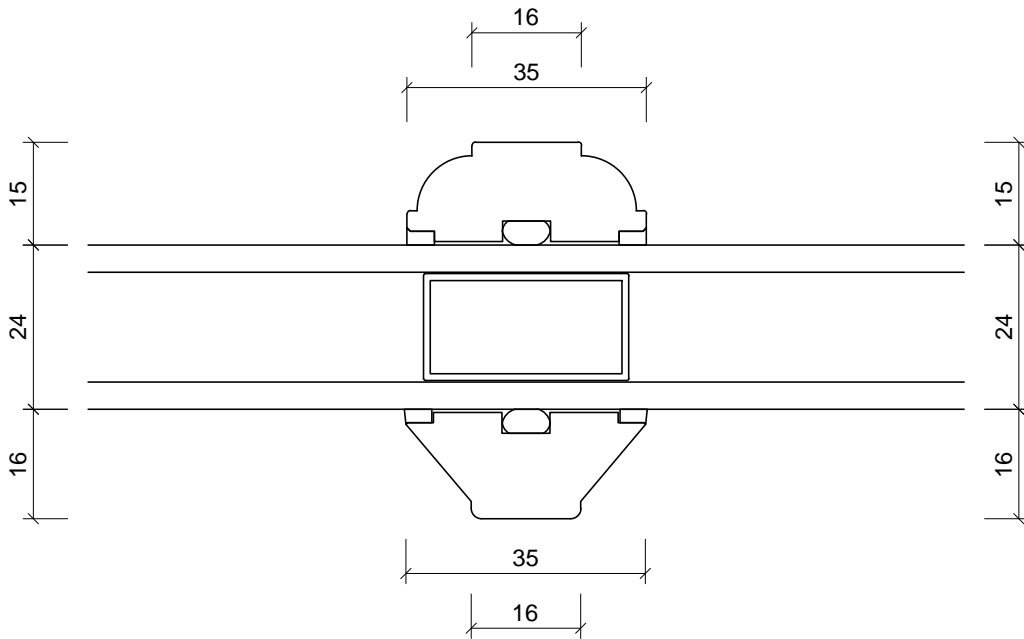
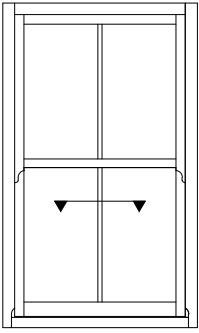
Drawing No.:
TSS/SB-602

Date:
28/02/13

Drawn By:
JSE

Scale:
NTS

This drawing remains the property of Livingwood Windows Ltd and may not be reproduced without written permission. Livingwood Windows Ltd accepts no liability arising from any party acting on information contained within this drawing. It is advised that assistance is sought from Livingwood Windows Ltd regarding matters of an individual project.



Unit 6
Ticehurst Yard
Tostock
Bury St Edmunds
Suffolk
IP30 9PH
Tel: 01359 272 646
sales@livingwoodwindows.co.uk
www.livingwoodwindows.co.uk

| | | |
|--|---|----------------------------|
| Unit Type: | Double Glazed Timber Traditional Sliding Sash Window Spiral Balance | Drawing No.: TSS/SB-603 |
| | | Date: 28/02/13 |
| Drawing Title: | Section Through Glazing Bars 35mm Ovolo | Drawn By: JSE |
| | | Scale: NTS |
| <small>This drawing remains the property of Livingwood Windows Ltd and may not be reproduced without written permission. Livingwood Windows Ltd accepts no liability arising from any party acting on information contained within this drawing. It is advised that assistance is sought from Livingwood Windows Ltd regarding matters of an individual project.</small> | | |