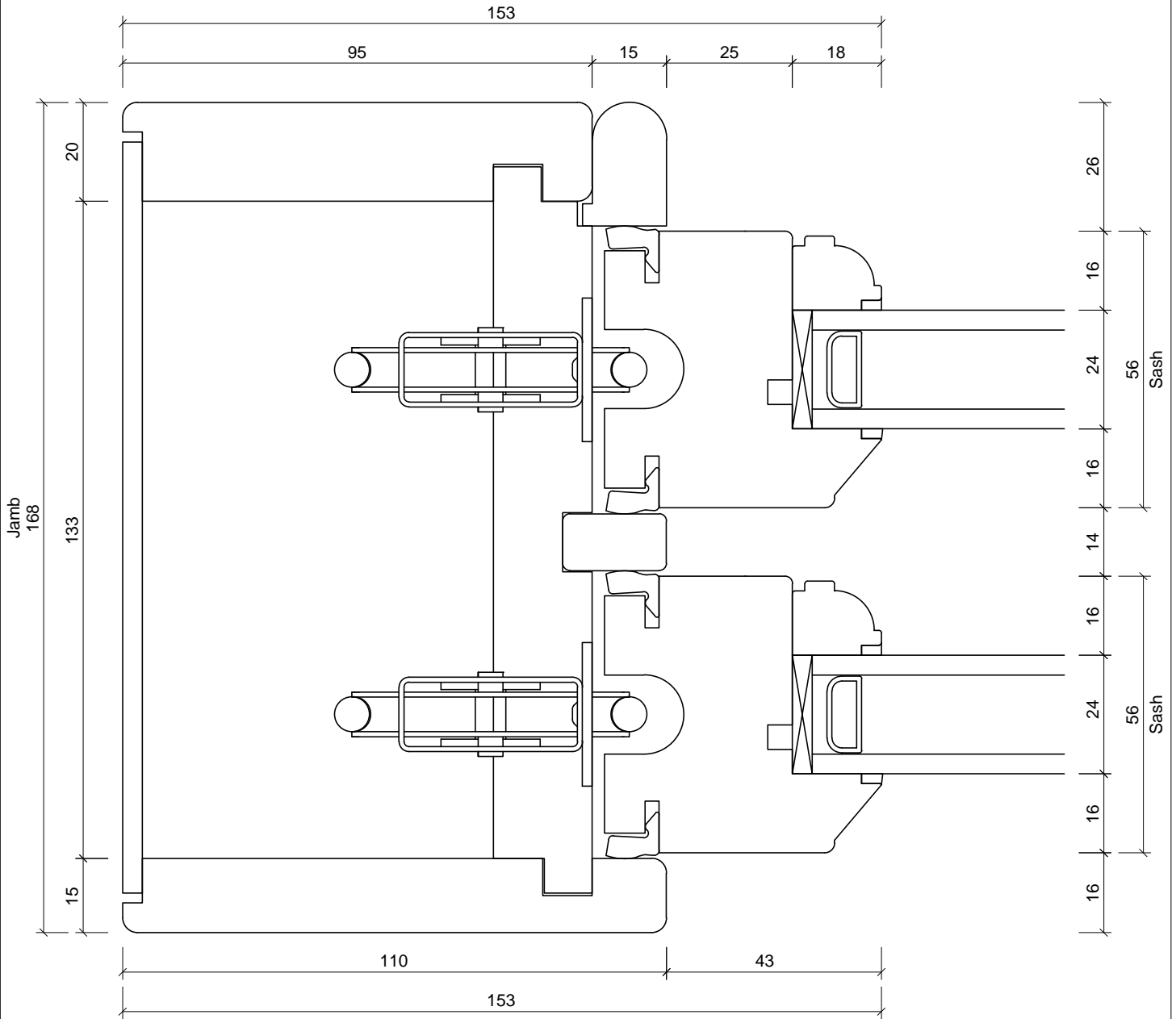
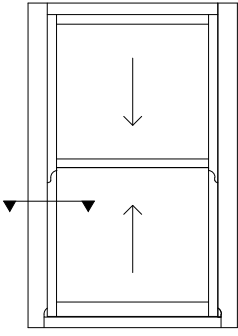


Unit 6
Ticehurst Yard
Tostock
Bury St Edmunds
Suffolk
IP30 9PH

Tel: 01359 272 646
sales@livingwoodwindows.co.uk
www.livingwoodwindows.co.uk

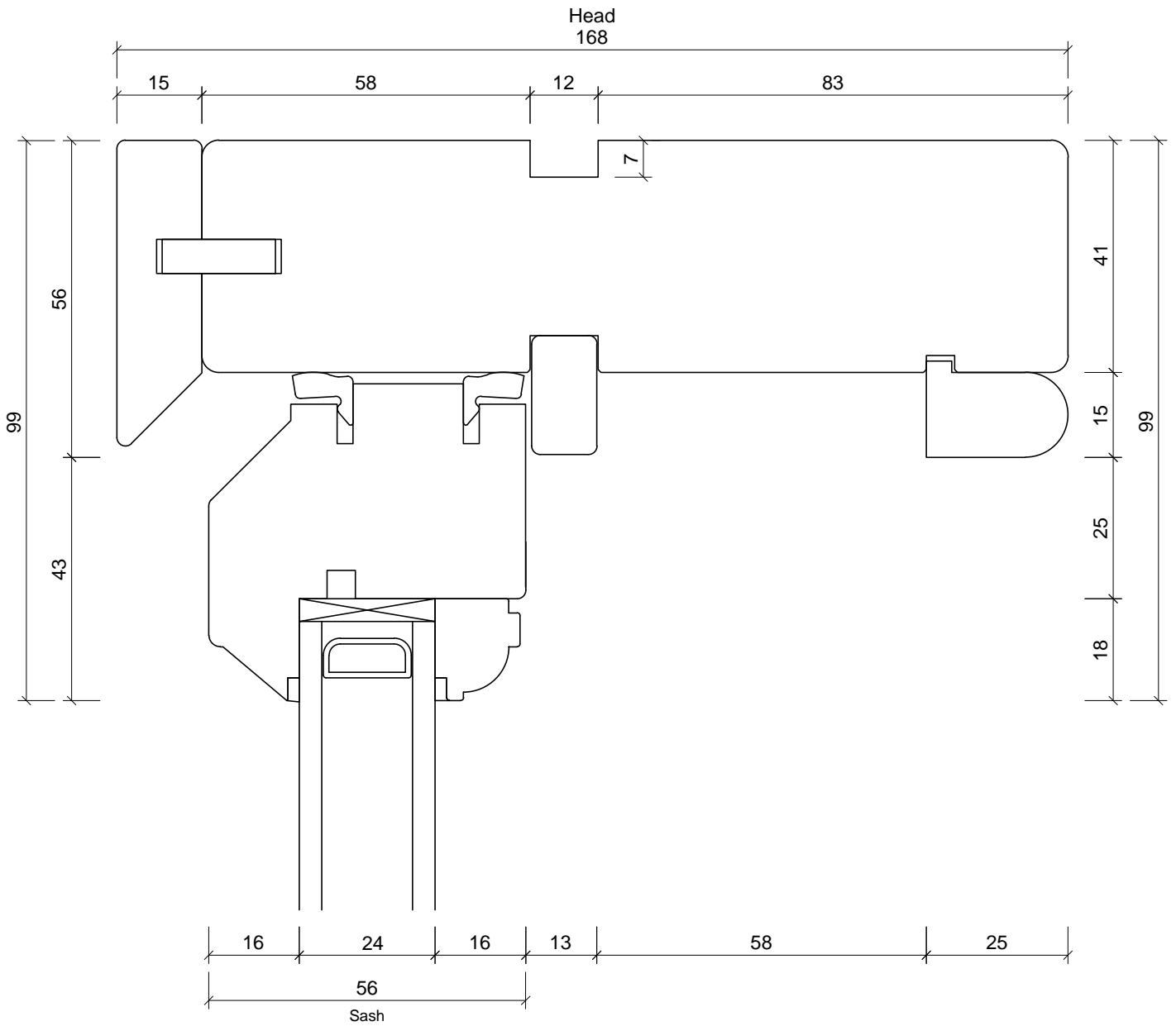
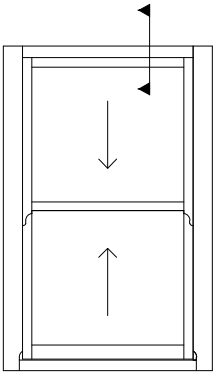
Unit Type:	Double Glazed Timber Traditional Sliding Sash Window Cords & Weights	Drawing No.: TSS/CW-101
		Date: 28/02/13
Drawing Title:	Section Through Sill	Drawn By: JSE
		Scale: NTS
<small>This drawing remains the property of Livingwood Windows Ltd and may not be reproduced without written permission. Livingwood Windows Ltd accepts no liability arising from any party acting on information contained within this drawing. It is advised that assistance is sought from Livingwood Windows Ltd regarding matters of an individual project.</small>		



Unit 6
Ticehurst Yard
Tostock
Bury St Edmunds
Suffolk
IP30 9PH

Tel: 01359 272 646
sales@livingwoodwindows.co.uk
www.livingwoodwindows.co.uk

Unit Type:	Double Glazed Timber Traditional Sliding Sash Window Cords & Weights	Drawing No.:	TSS/CW-102
Drawing Title:	Section Through Jamb	Date:	28/02/13
		Drawn By:	JSE
		Scale:	NTS
<small>This drawing remains the property of Livingwood Windows Ltd and may not be reproduced without written permission. Livingwood Windows Ltd accepts no liability arising from any party acting on information contained within this drawing. It is advised that assistance is sought from Livingwood Windows Ltd regarding matters of an individual project.</small>			



Unit 6
Ticehurst Yard
Tostock
Bury St Edmunds
Suffolk
IP30 9PH

Tel: 01359 272 646
sales@livingwoodwindows.co.uk
www.livingwoodwindows.co.uk

Unit Type:
Double Glazed Timber
Traditional Sliding Sash Window
Cords & Weights

Drawing Title:
Section Through Head

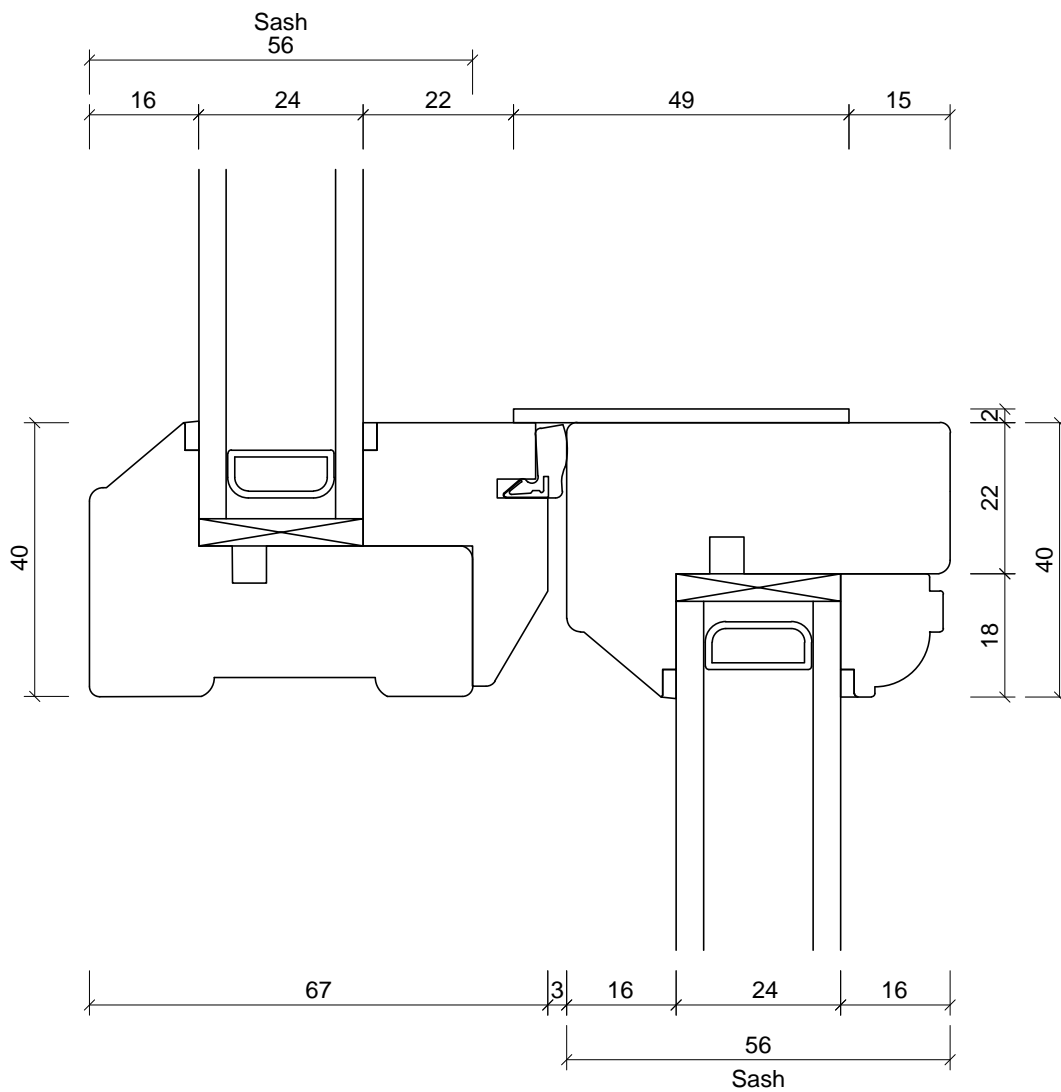
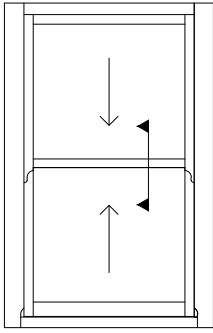
Drawing No.:
TSS/CW-103

Date:
28/02/13

Drawn By:
JSE

Scale:
NTS

This drawing remains the property of Livingwood Windows Ltd and may not be reproduced without written permission. Livingwood Windows Ltd accepts no liability arising from any party acting on information contained within this drawing. It is advised that assistance is sought from Livingwood Windows Ltd regarding matters of an individual project.



Unit 6
Ticehurst Yard
Tostock
Bury St Edmunds
Suffolk
IP30 9PH

Tel: 01359 272 646
sales@livingwoodwindows.co.uk
www.livingwoodwindows.co.uk

Unit Type:
Double Glazed Timber
Traditional Sliding Sash Window
Cords & Weights

Drawing Title:
Section Through Meeting Rails

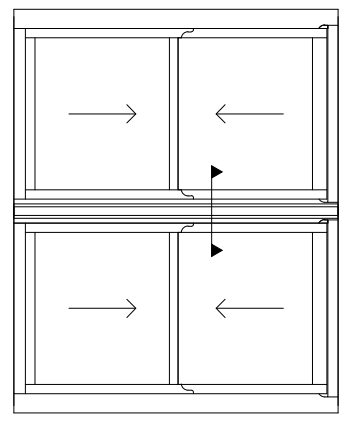
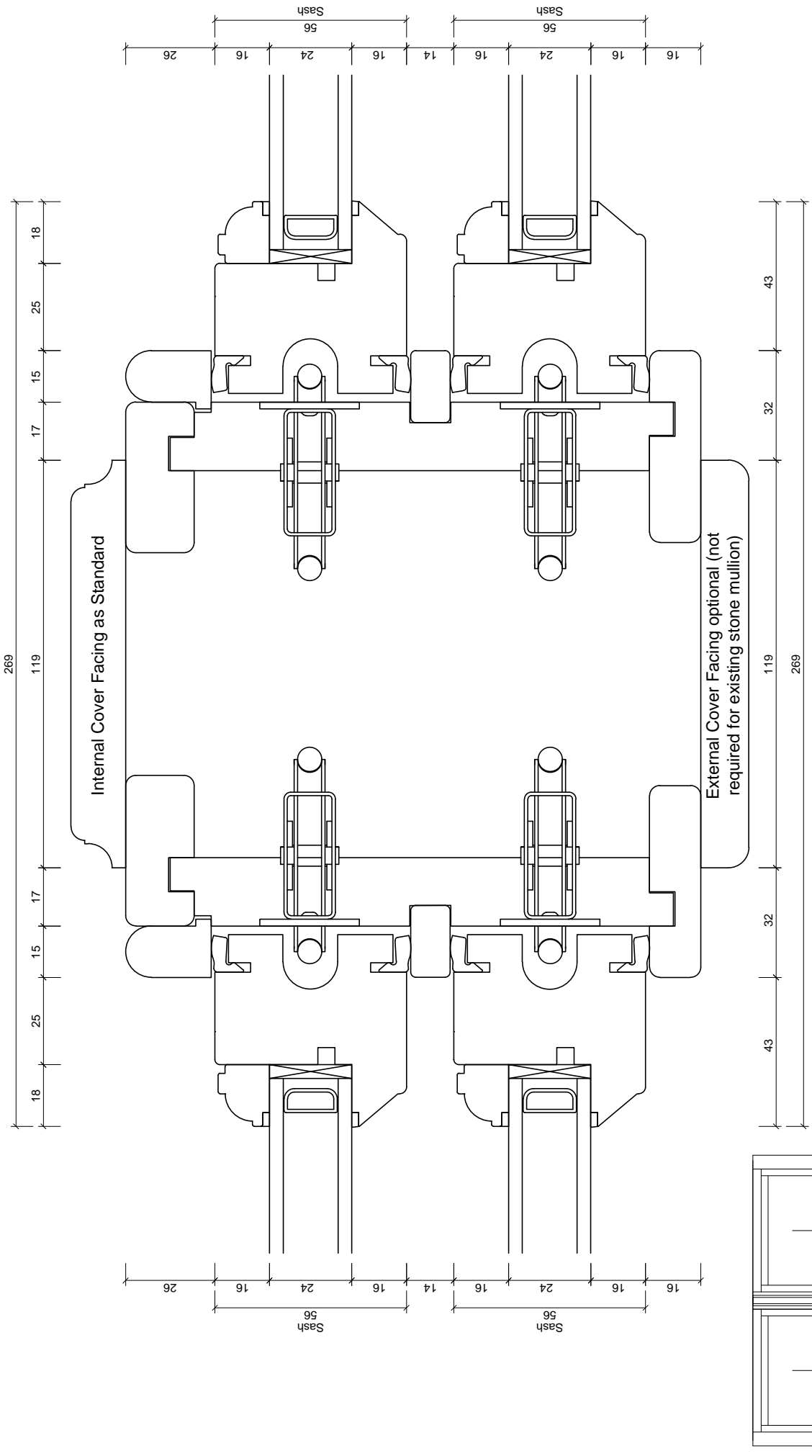
Drawing No.:
TSS/CW-104

Date:
28/02/13

Drawn By:
JSE

Scale:
NTS

This drawing remains the property of Livingwood Windows Ltd and may not be reproduced without written permission. Livingwood Windows Ltd accepts no liability arising from any party acting on information contained within this drawing. It is advised that assistance is sought from Livingwood Windows Ltd regarding matters of an individual project.

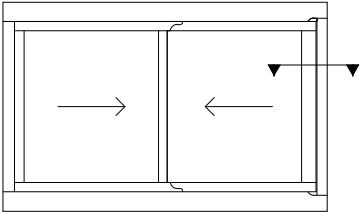


Unit Type:	Double Glazed Timber Traditional Sliding Sash Window Cords & Weights	Drawing No.:	TSS/CW-105
Drawing Title:	Section Through Jamb/Jamb Connection	Date:	28/02/13
		Drawn By:	JSE
		Scale:	NTS


LIVINGWOOD
 WINDOW & DOOR SPECIALISTS

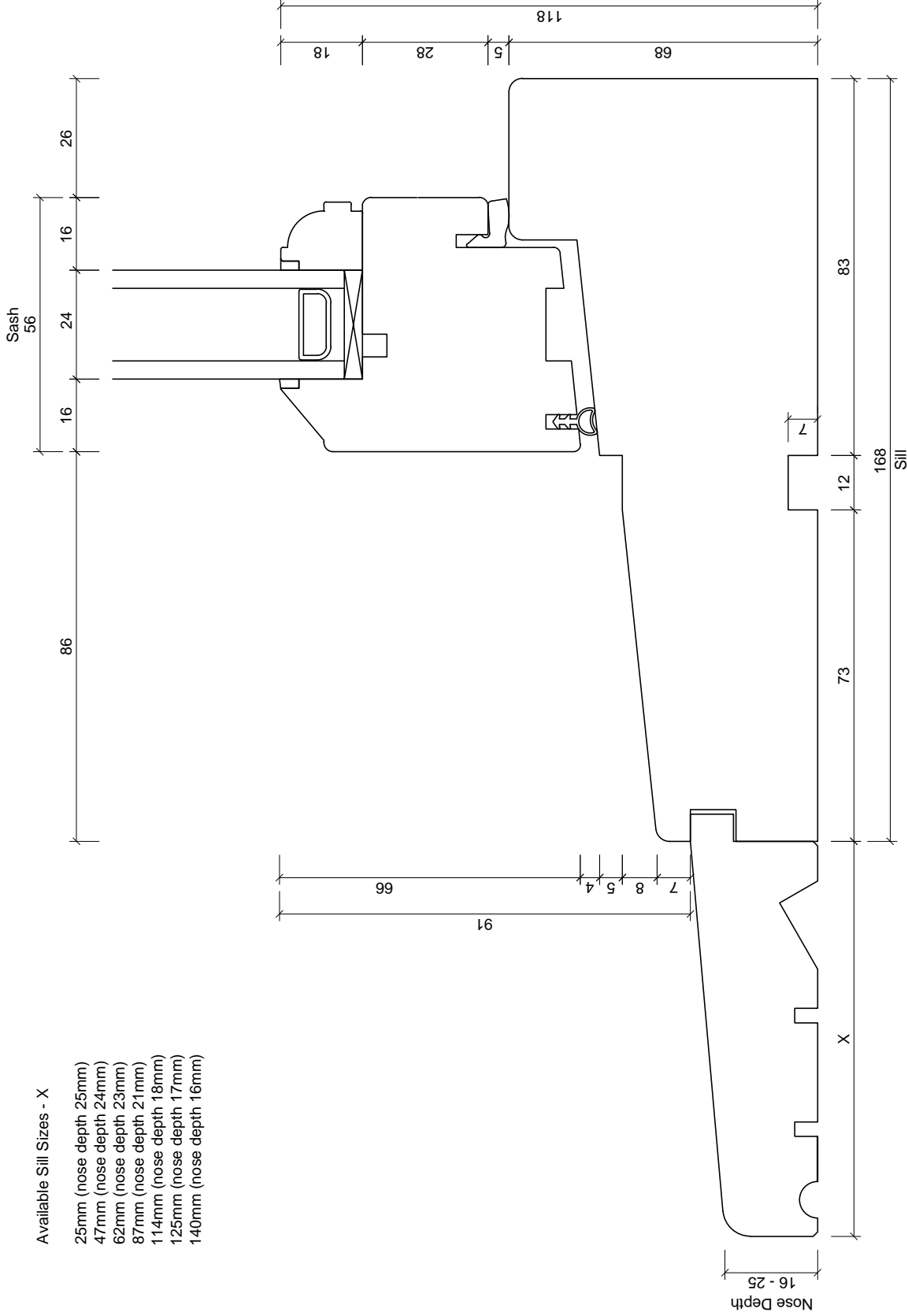
Unit 6
 Ticehurst Yard
 Tostock
 Bury St Edmunds
 Suffolk
 IP30 9PH
 Tel: 01359 272 646
 sales@livingwoodwindows.co.uk
 www.livingwoodwindows.co.uk

This drawing remains the property of Livingwood Windows Ltd and may not be reproduced without written permission. Livingwood Windows Ltd accepts no liability arising from any party acting on information contained within this drawing. It is advised that assistance is sought from Livingwood Windows Ltd regarding matters of an individual project.




Available Sill Sizes - X

- 25mm (nose depth 25mm)
- 47mm (nose depth 24mm)
- 62mm (nose depth 23mm)
- 87mm (nose depth 21mm)
- 114mm (nose depth 18mm)
- 125mm (nose depth 17mm)
- 140mm (nose depth 16mm)



Drawing No.:	TSS/CW-201
Date:	28/02/13
Drawn By:	JSE
Scale:	NTS
Unit Type:	Double Glazed Timber Traditional Sliding Sash Window Cords & Weights
Drawing Title:	Section Through Sill Optional Timber Sill Extension

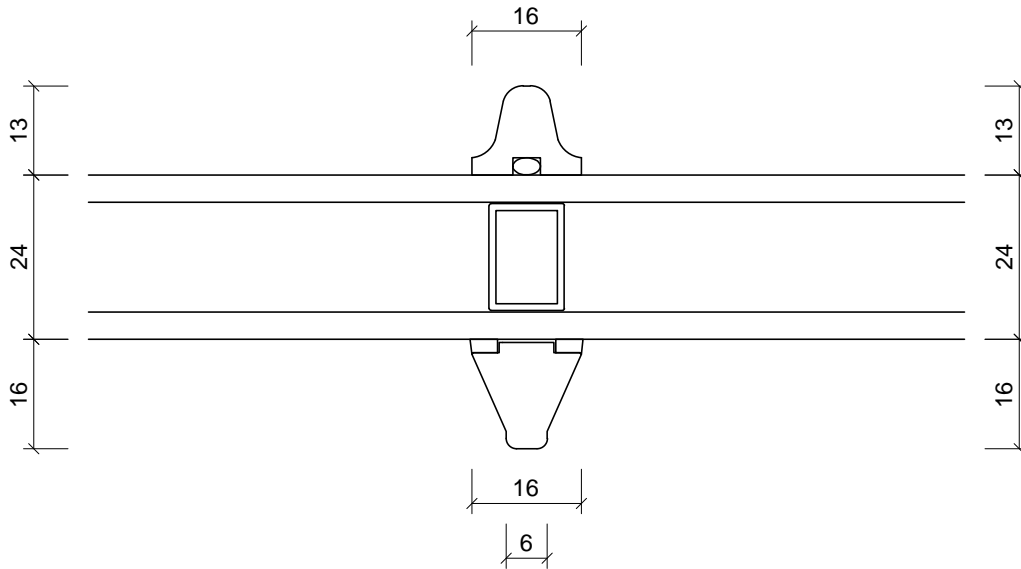
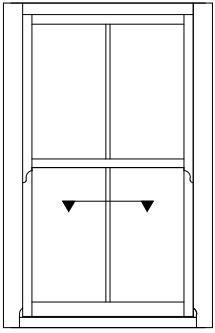


LIVINGWOOD
WINDOW & DOOR SPECIALISTS

Unit 6
Ticehurst Yard
Tostock
Bury St Edmunds
Suffolk
IP30 9PH

Tel: 01359 272 646
sales@livingwoodwindows.co.uk
www.livingwoodwindows.co.uk

This drawing remains the property of Livingwood Windows Ltd and may not be reproduced without written permission. Livingwood Windows Ltd accepts no liability arising from any party acting on information contained within this drawing. It is advised that assistance is sought from Livingwood Windows Ltd regarding matters of an individual project.



Unit 6
Ticehurst Yard
Tostock
Bury St Edmunds
Suffolk
IP30 9PH

Tel: 01359 272 646
sales@livingwoodwindows.co.uk
www.livingwoodwindows.co.uk

Unit Type:
Double Glazed Timber
Traditional Sliding Sash Window
Cords & Weights

Drawing Title:
Section Through Glazing Bars
16mm Lambs Tongue

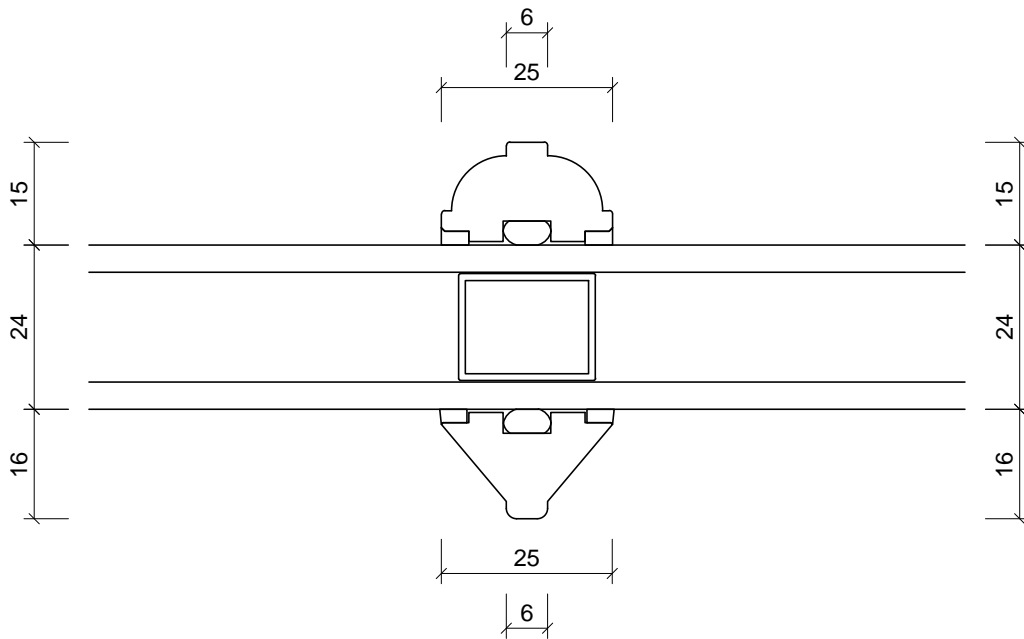
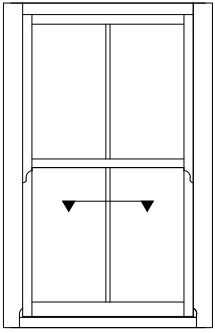
Drawing No.:
TSS/CW-601

Date:
28/02/13

Drawn By:
JSE

Scale:
NTS

This drawing remains the property of Livingwood Windows Ltd and may not be reproduced without written permission. Livingwood Windows Ltd accepts no liability arising from any party acting on information contained within this drawing. It is advised that assistance is sought from Livingwood Windows Ltd regarding matters of an individual project.



Unit 6
Ticehurst Yard
Tostock
Bury St Edmunds
Suffolk
IP30 9PH

Tel: 01359 272 646
sales@livingwoodwindows.co.uk
www.livingwoodwindows.co.uk

Unit Type:
Double Glazed Timber
Traditional Sliding Sash Window
Cords & Weights

Drawing Title:
Section Through Glazing Bars
25mm Ovolo

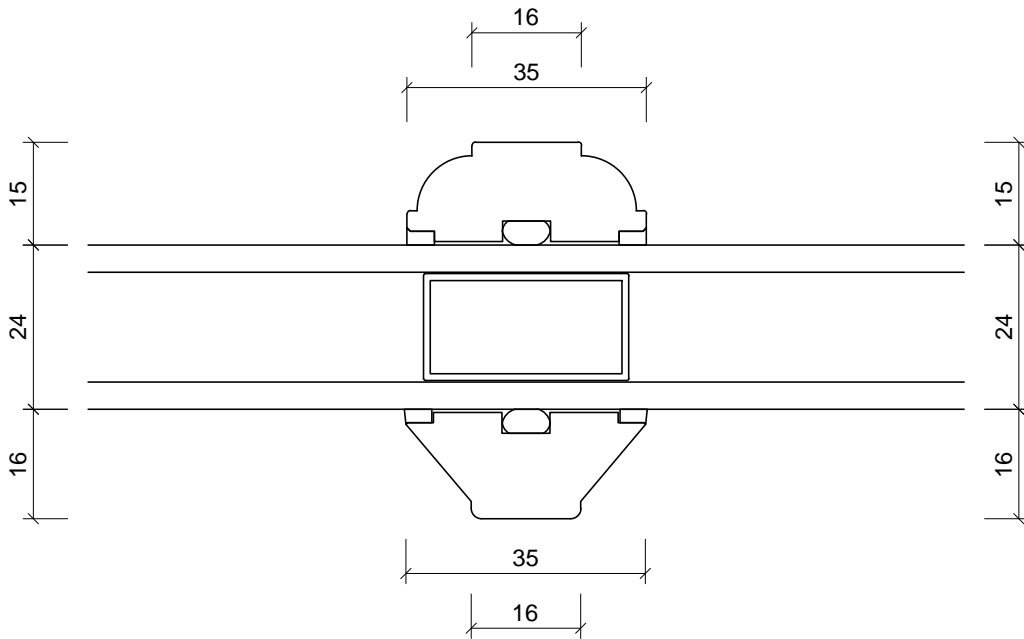
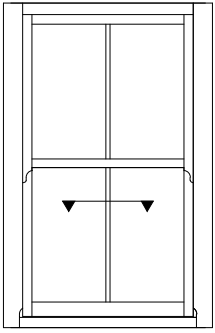
Drawing No.:
TSS/CW-602

Date:
28/02/13

Drawn By:
JSE

Scale:
NTS

This drawing remains the property of Livingwood Windows Ltd and may not be reproduced without written permission. Livingwood Windows Ltd accepts no liability arising from any party acting on information contained within this drawing. It is advised that assistance is sought from Livingwood Windows Ltd regarding matters of an individual project.



Unit 6
Ticehurst Yard
Tostock
Bury St Edmunds
Suffolk
IP30 9PH

Tel: 01359 272 646
sales@livingwoodwindows.co.uk
www.livingwoodwindows.co.uk

Unit Type:
Double Glazed Timber
Traditional Sliding Sash Window
Cords & Weights

Drawing Title:
Section Through Glazing Bars
35mm Ovolo

Drawing No.:
TSS/CW-603

Date:
28/02/13

Drawn By:
JSE

Scale:
NTS

This drawing remains the property of Livingwood Windows Ltd and may not be reproduced without written permission. Livingwood Windows Ltd accepts no liability arising from any party acting on information contained within this drawing. It is advised that assistance is sought from Livingwood Windows Ltd regarding matters of an individual project.