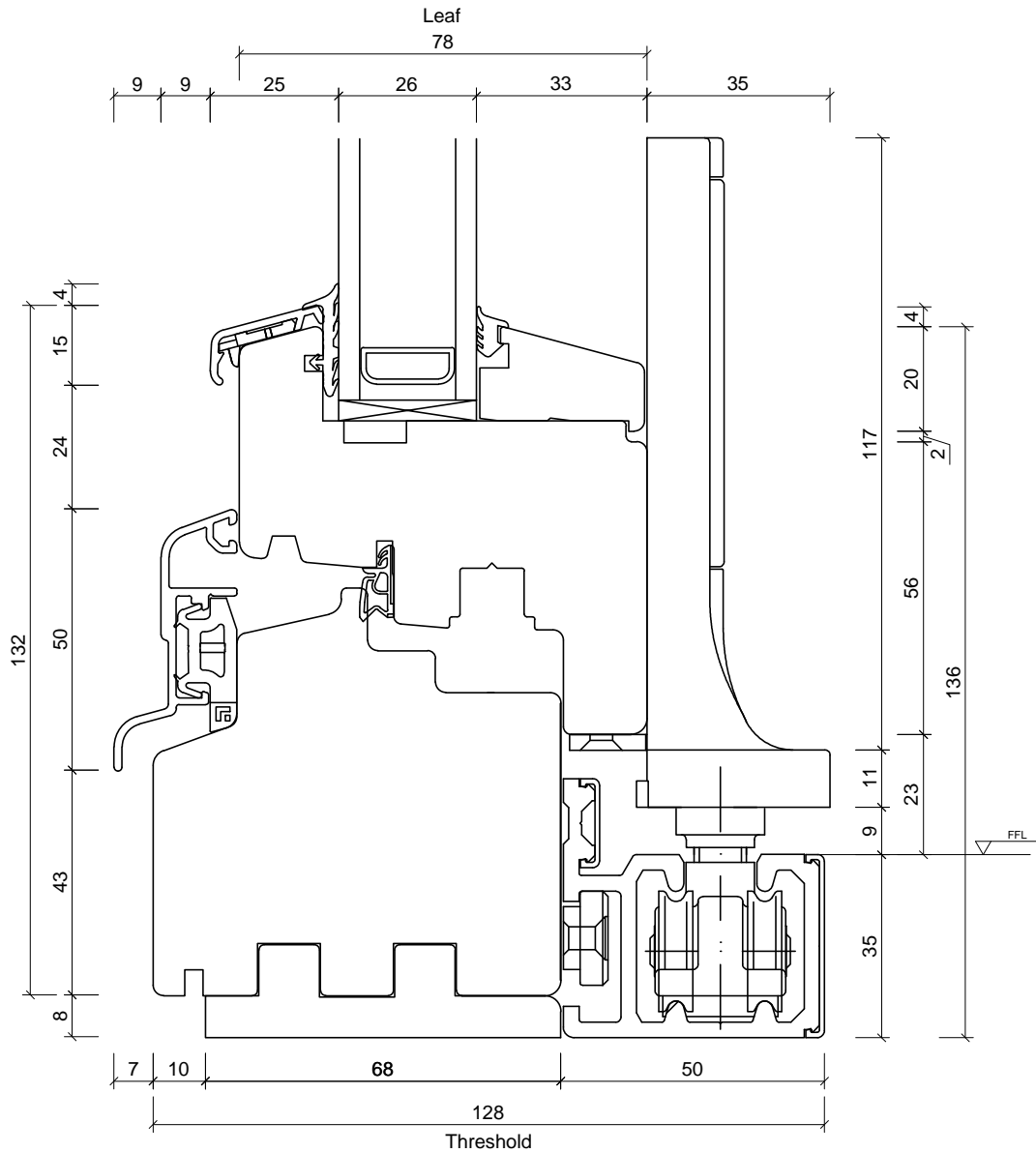
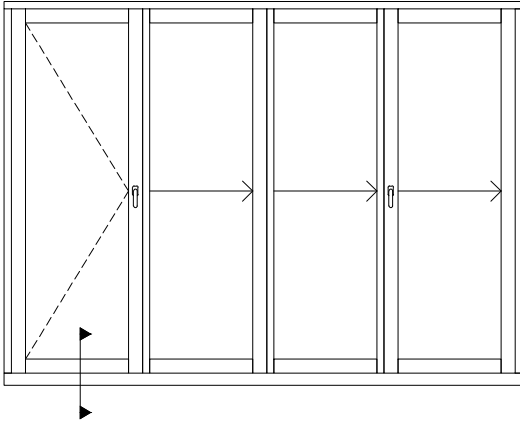


Unit 6
Ticehurst Yard
Tostock
Bury St Edmunds
Suffolk
IP30 9PH

Tel: 01359 272 646
sales@livingwoodwindows.co.uk
www.livingwoodwindows.co.uk

Unit Type:	Double Glazed Timber ROTO Bi-Fold Door	Drawing No.:	RO2-101
		Date:	28/02/13
Drawing Title:	Section Through Enhanced Aluminium Threshold	Drawn By:	JSE
		Scale:	NTS

This drawing remains the property of Livingwood Windows Ltd and may not be reproduced without written permission. Livingwood Windows Ltd accepts no liability arising from any party acting on information contained within this drawing. It is advised that assistance is sought from Livingwood Windows Ltd regarding matters of an individual project.



Unit 6
Ticehurst Yard
Tostock
Bury St Edmunds
Suffolk
IP30 9PH

Tel: 01359 272 646
sales@livingwoodwindows.co.uk
www.livingwoodwindows.co.uk

Unit Type:
Double Glazed Timber
ROTO Bi-Fold Door

Drawing No.:
RO2-102

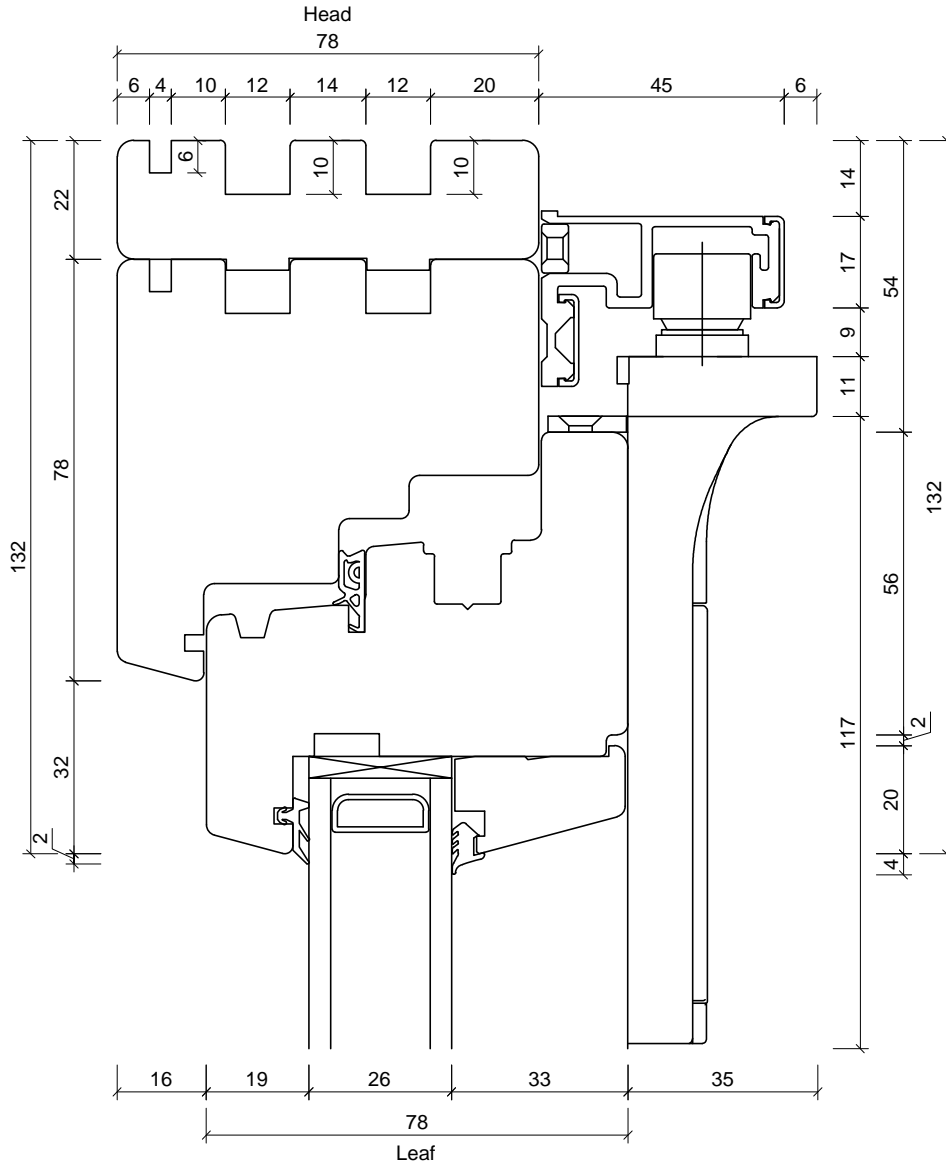
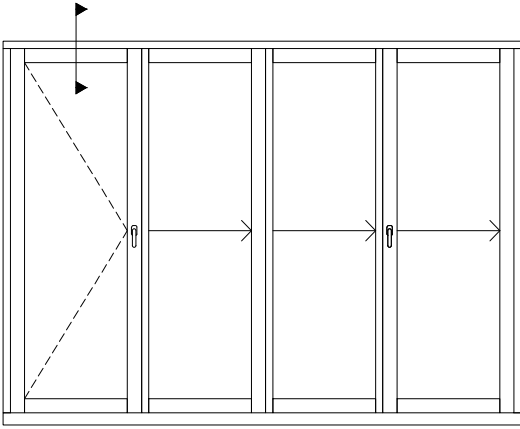
Date:
28/02/13

Drawing Title:
Section Through Timber Threshold

Drawn By:
JSE

Scale:
NTS

This drawing remains the property of Livingwood Windows Ltd and may not be reproduced without written permission. Livingwood Windows Ltd accepts no liability arising from any party acting on information contained within this drawing. It is advised that assistance is sought from Livingwood Windows Ltd regarding matters of an individual project.



Unit 6
Ticehurst Yard
Tostock
Bury St Edmunds
Suffolk
IP30 9PH

Tel: 01359 272 646
sales@livingwoodwindows.co.uk
www.livingwoodwindows.co.uk

Unit Type:
Double Glazed Timber
ROTO Bi-Fold Door

Drawing Title:
Section Through Head

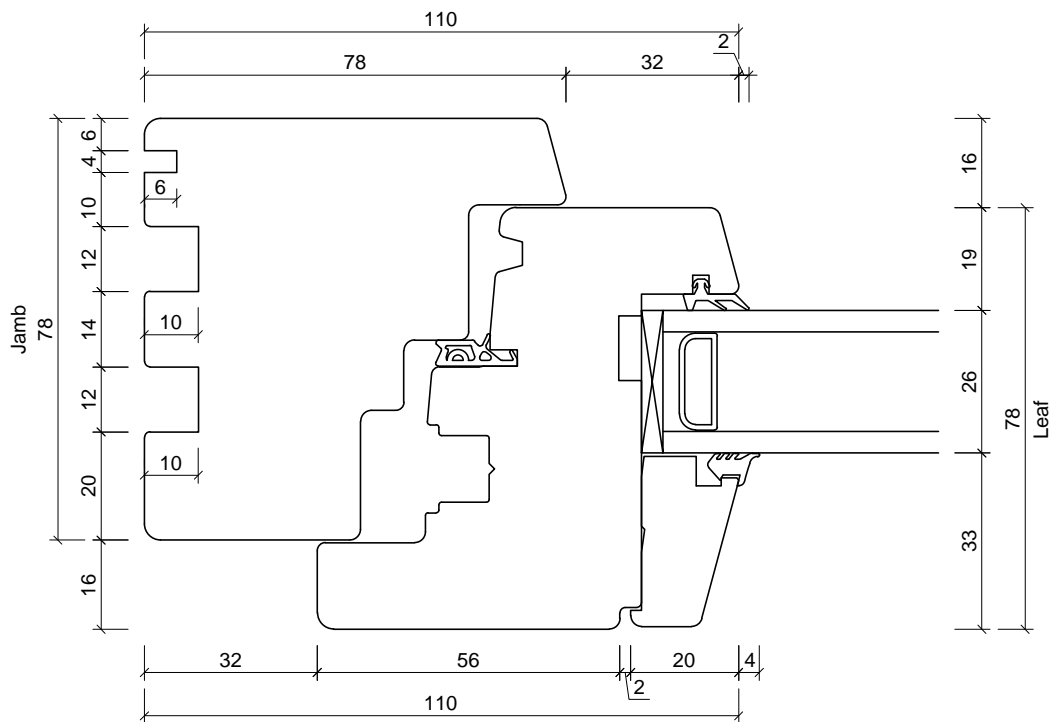
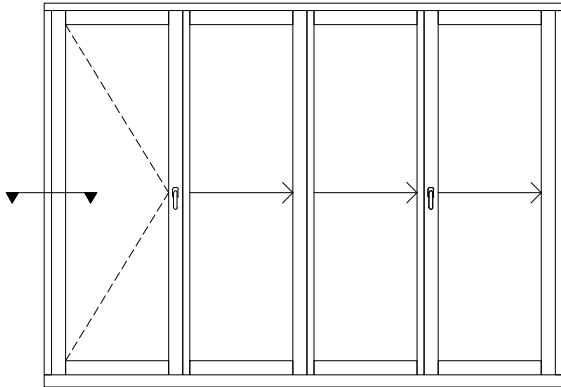
Drawing No.:
RO2-103

Date:
28/02/13

Drawn By:
JSE

Scale:
NTS

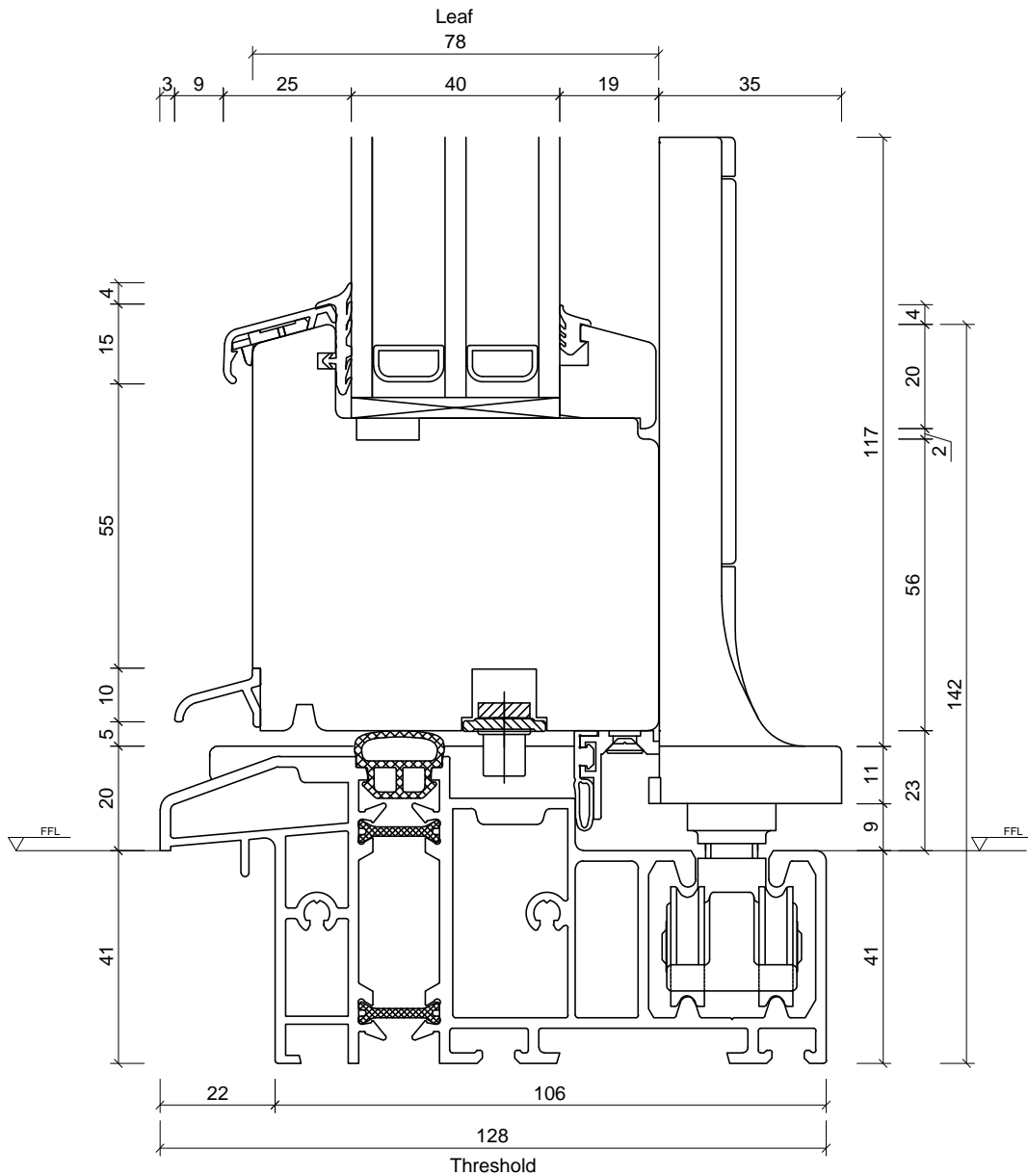
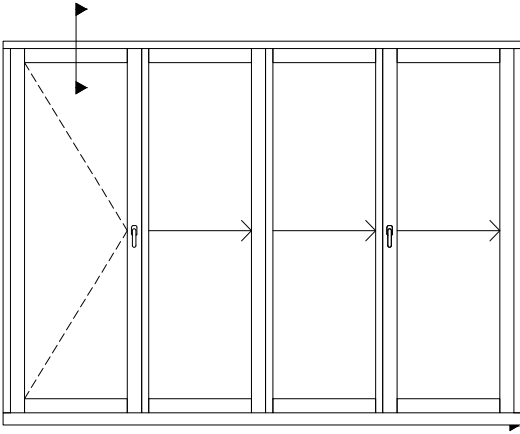
This drawing remains the property of Livingwood Windows Ltd and may not be reproduced without written permission. Livingwood Windows Ltd accepts no liability arising from any party acting on information contained within this drawing. It is advised that assistance is sought from Livingwood Windows Ltd regarding matters of an individual project.



Unit 6
 Ticehurst Yard
 Tostock
 Bury St Edmunds
 Suffolk
 IP30 9PH
 Tel: 01359 272 646
 sales@livingwoodwindows.co.uk
 www.livingwoodwindows.co.uk

Unit Type:	Double Glazed Timber ROTO Bi-Fold Door	Drawing No.:	RO2-104
		Date:	28/02/13
Drawing Title:	Section Through Jamb Sliding Leaf	Drawn By:	JSE
		Scale:	NTS

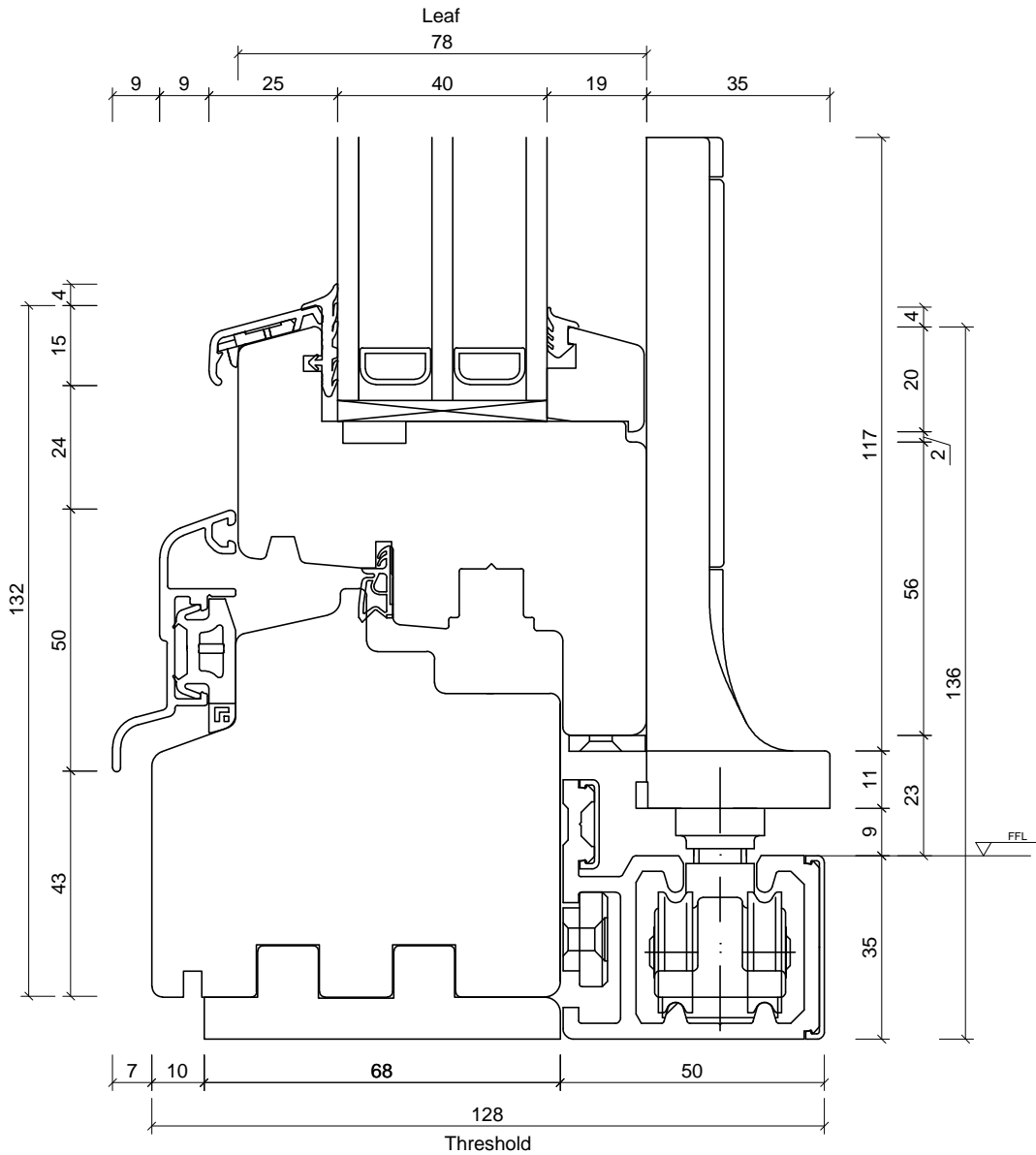
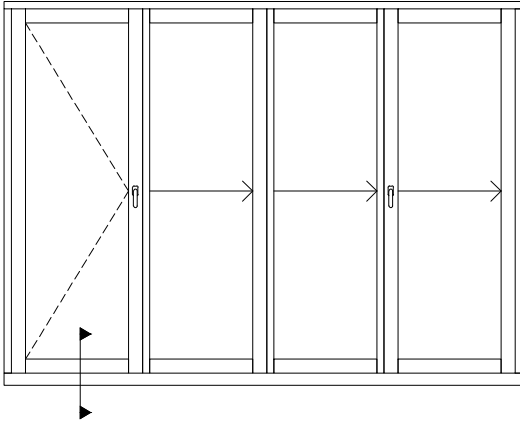
This drawing remains the property of Livingwood Windows Ltd and may not be reproduced without written permission. Livingwood Windows Ltd accepts no liability arising from any party acting on information contained within this drawing. It is advised that assistance is sought from Livingwood Windows Ltd regarding matters of an individual project.



Unit 6
Ticehurst Yard
Tostock
Bury St Edmunds
Suffolk
IP30 9PH

Tel: 01359 272 646
sales@livingwoodwindows.co.uk
www.livingwoodwindows.co.uk

Unit Type:	Triple Glazed Timber ROTO Bi-Fold Door	Drawing No.:	RO3-101
		Date:	28/02/13
Drawing Title:	Section Through Enhanced Aluminium Threshold	Drawn By:	JSE
		Scale:	NTS
<small>This drawing remains the property of Livingwood Windows Ltd and may not be reproduced without written permission. Livingwood Windows Ltd accepts no liability arising from any party acting on information contained within this drawing. It is advised that assistance is sought from Livingwood Windows Ltd regarding matters of an individual project.</small>			



Unit 6
Ticehurst Yard
Tostock
Bury St Edmunds
Suffolk
IP30 9PH

Tel: 01359 272 646
sales@livingwoodwindows.co.uk
www.livingwoodwindows.co.uk

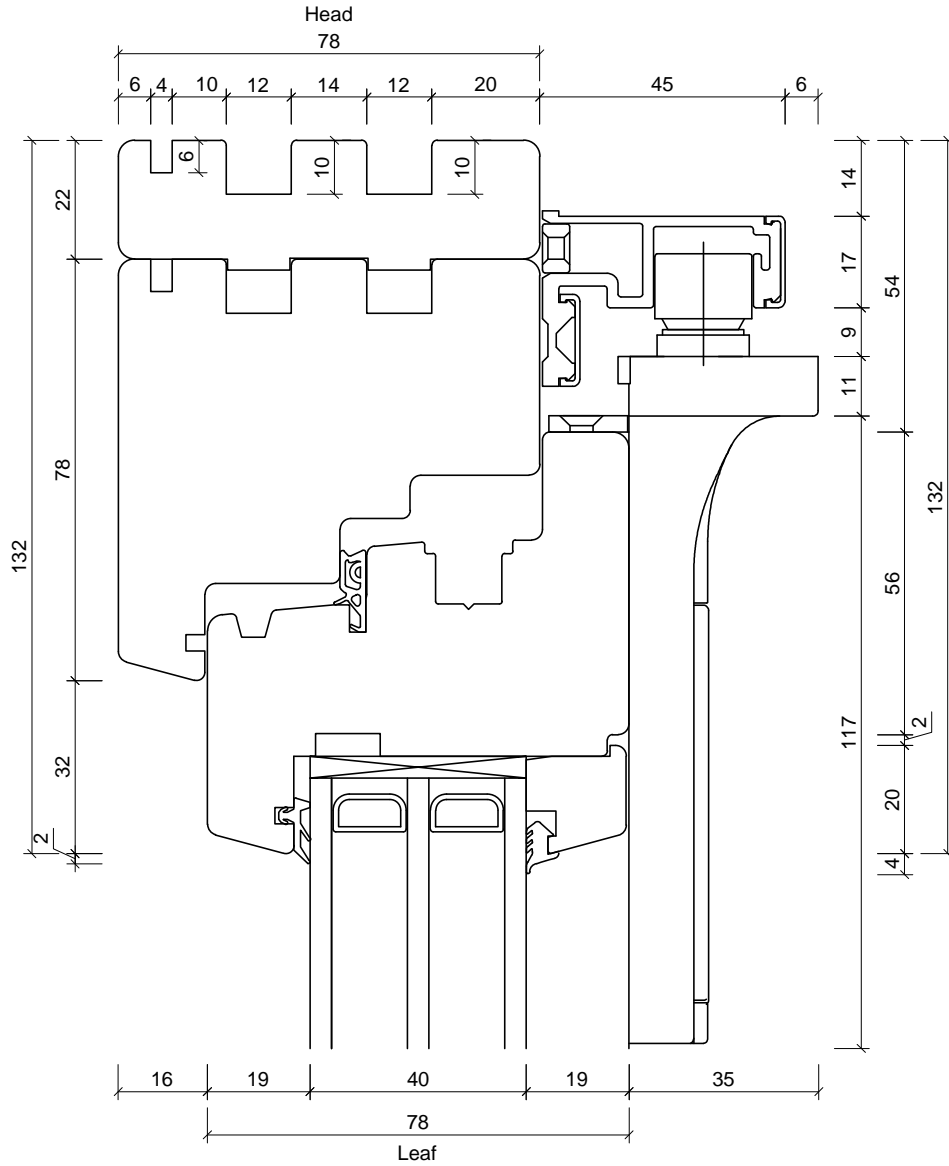
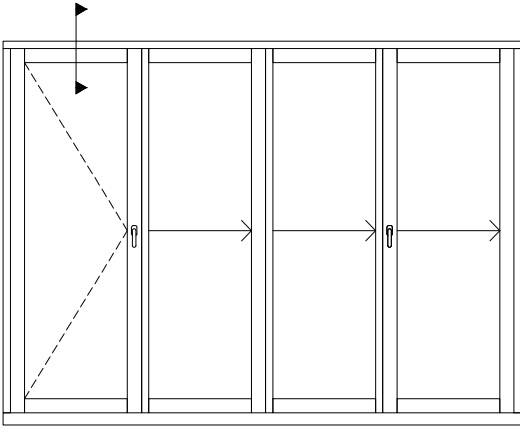
Unit Type:
Double Glazed Aluminium Clad Timber
ROTO Bi-Fold Door

Drawing No.:
RO3-102
Date:
28/02/13

Drawing Title:
Section Through Timber Threshold

Drawn By:
JSE
Scale:
NTS

This drawing remains the property of Livingwood Windows Ltd and may not be reproduced without written permission. Livingwood Windows Ltd accepts no liability arising from any party acting on information contained within this drawing. It is advised that assistance is sought from Livingwood Windows Ltd regarding matters of an individual project.



Unit 6
Ticehurst Yard
Tostock
Bury St Edmunds
Suffolk
IP30 9PH

Tel: 01359 272 646
sales@livingwoodwindows.co.uk
www.livingwoodwindows.co.uk

Unit Type:
Triple Glazed Timber
ROTO Bi-Fold Door

Drawing Title:
Section Through Head

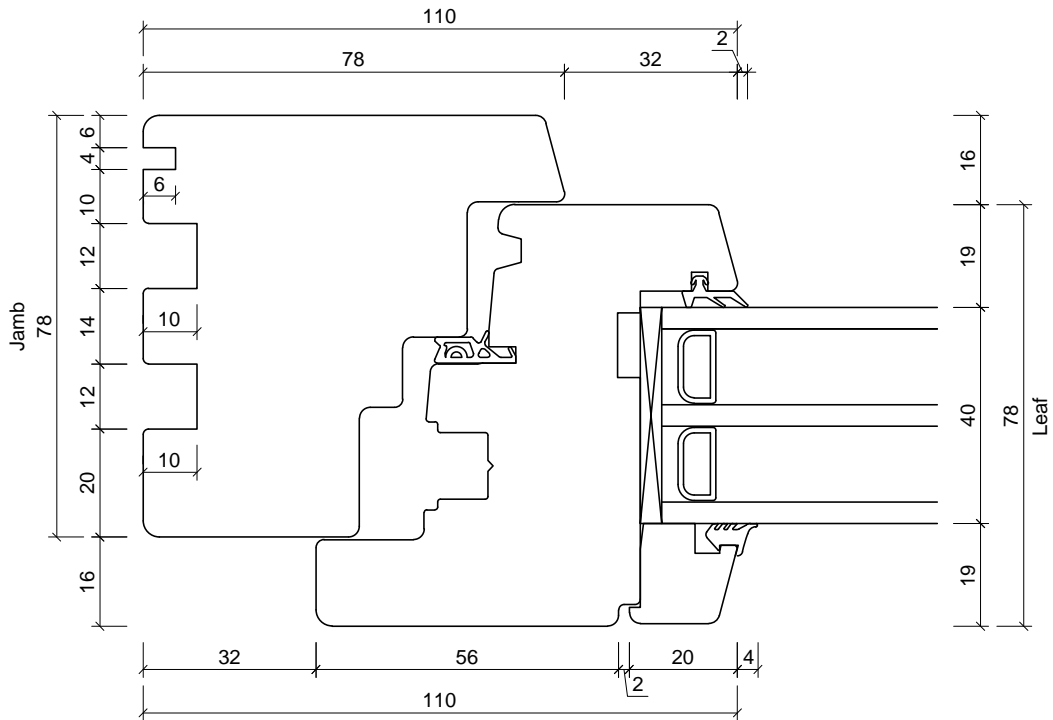
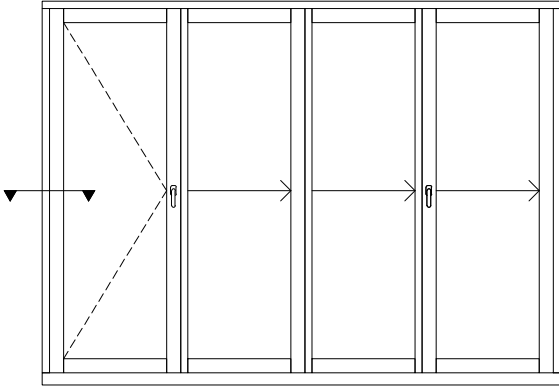
Drawing No.:
RO3-103

Date:
28/02/13

Drawn By:
JSE

Scale:
NTS

This drawing remains the property of Livingwood Windows Ltd and may not be reproduced without written permission. Livingwood Windows Ltd accepts no liability arising from any party acting on information contained within this drawing. It is advised that assistance is sought from Livingwood Windows Ltd regarding matters of an individual project.



Unit 6
Ticehurst Yard
Tostock
Bury St Edmunds
Suffolk
IP30 9PH

Tel: 01359 272 646
sales@livingwoodwindows.co.uk
www.livingwoodwindows.co.uk

Unit Type:
Triple Glazed Timber
ROTO Bi-Fold Door

Drawing No.:
RO3-104

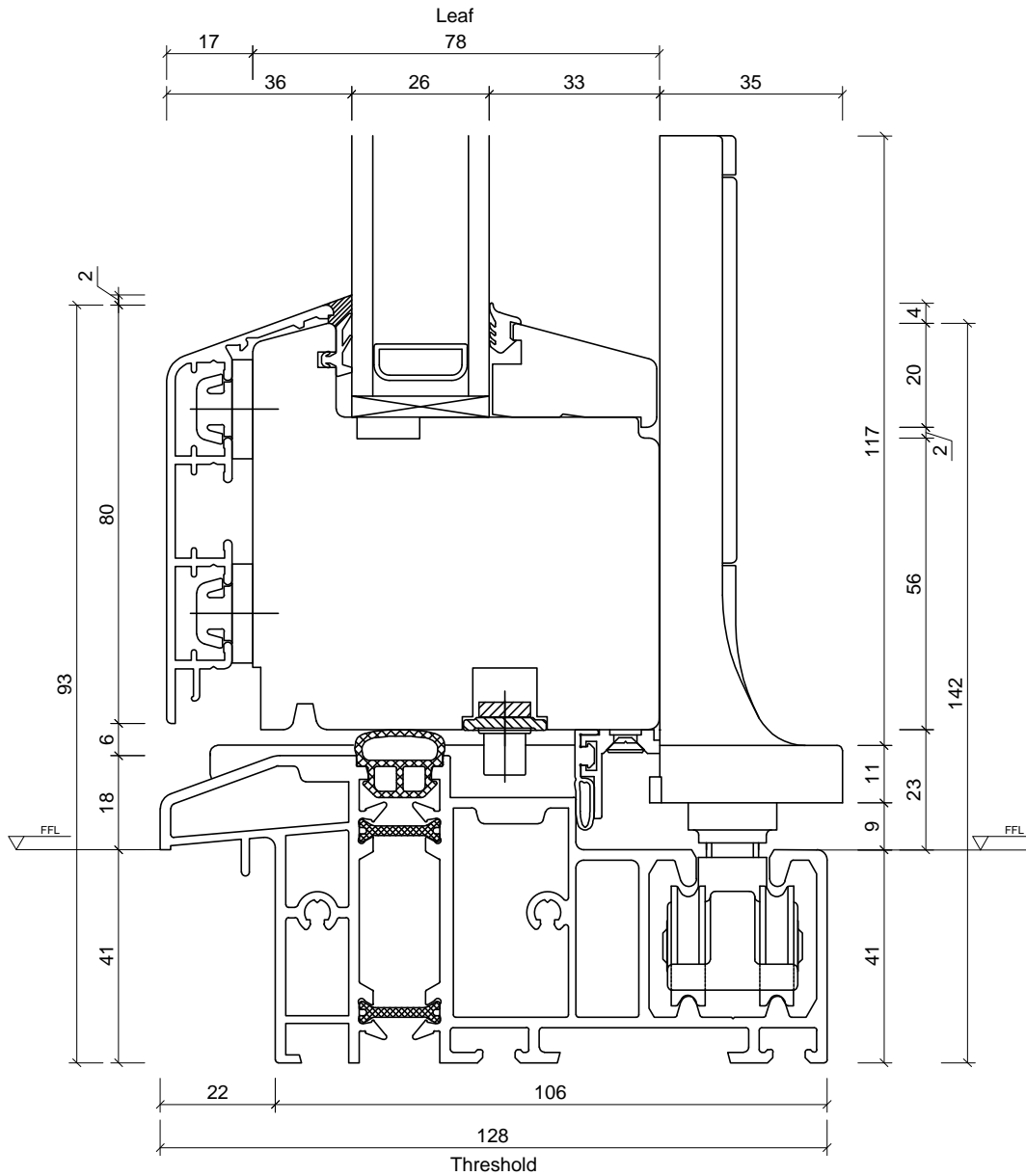
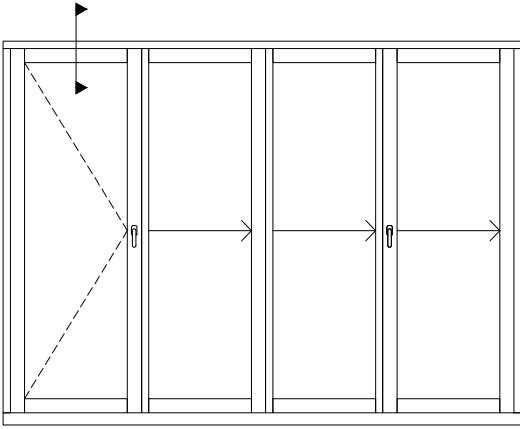
Date:
28/02/13

Drawing Title:
Section Through Jamb

Drawn By:
JSE

Scale:
NTS

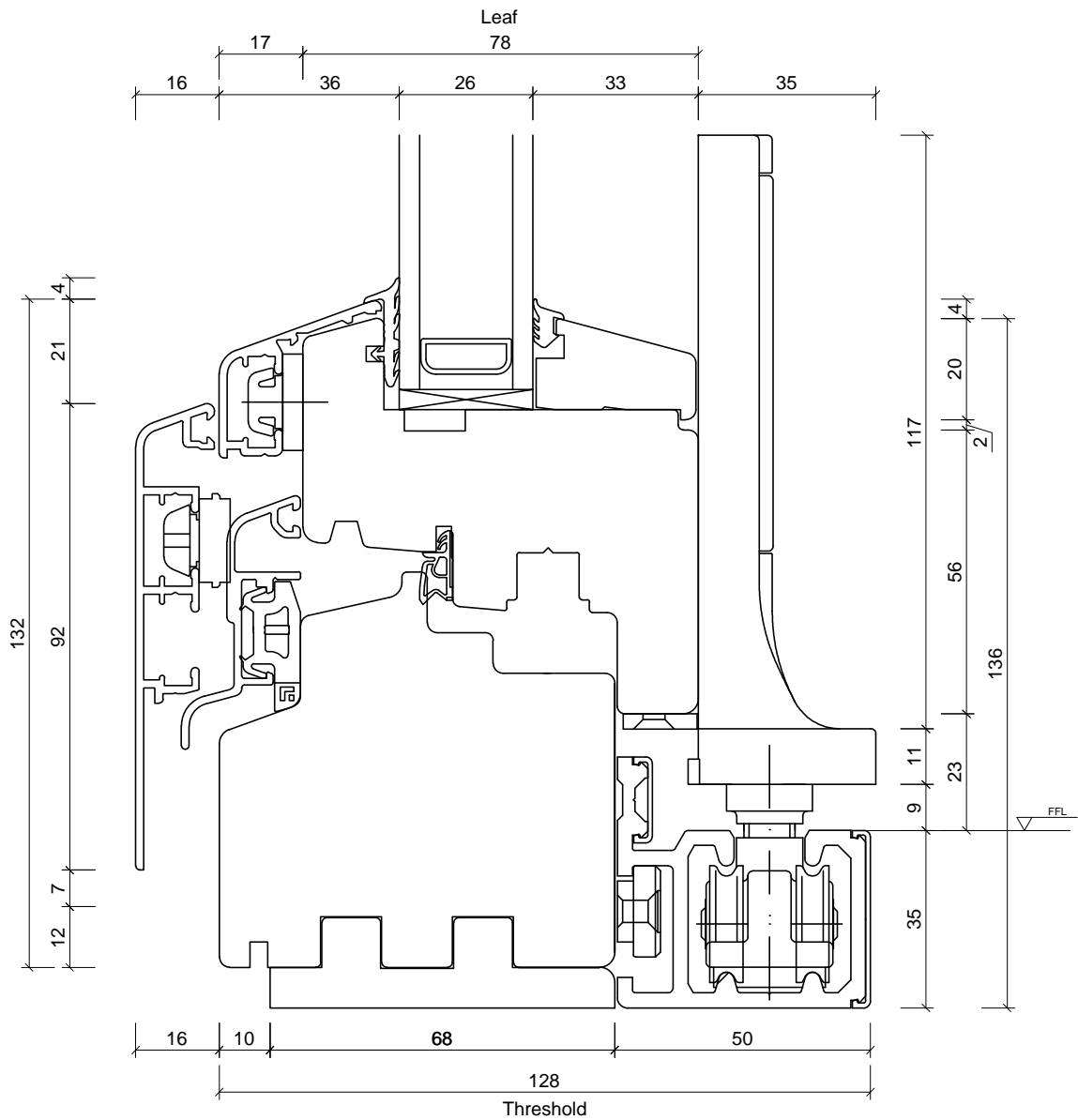
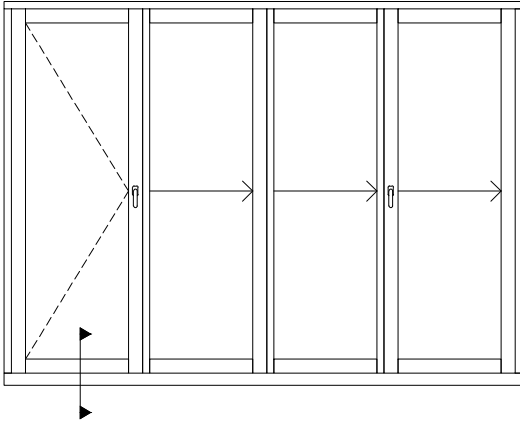
This drawing remains the property of Livingwood Windows Ltd and may not be reproduced without written permission. Livingwood Windows Ltd accepts no liability arising from any party acting on information contained within this drawing. It is advised that assistance is sought from Livingwood Windows Ltd regarding matters of an individual project.



Unit 6
Ticehurst Yard
Tostock
Bury St Edmunds
Suffolk
IP30 9PH

Tel: 01359 272 646
sales@livingwoodwindows.co.uk
www.livingwoodwindows.co.uk

Unit Type:	Double Glazed Aluminium Clad Timber ROTO Bi-Fold Door	Drawing No.:	RO2A-101
		Date:	28/02/13
Drawing Title:	Section Through Enhanced Aluminium Threshold	Drawn By:	JSE
		Scale:	NTS
<small>This drawing remains the property of Livingwood Windows Ltd and may not be reproduced without written permission. Livingwood Windows Ltd accepts no liability arising from any party acting on information contained within this drawing. It is advised that assistance is sought from Livingwood Windows Ltd regarding matters of an individual project.</small>			

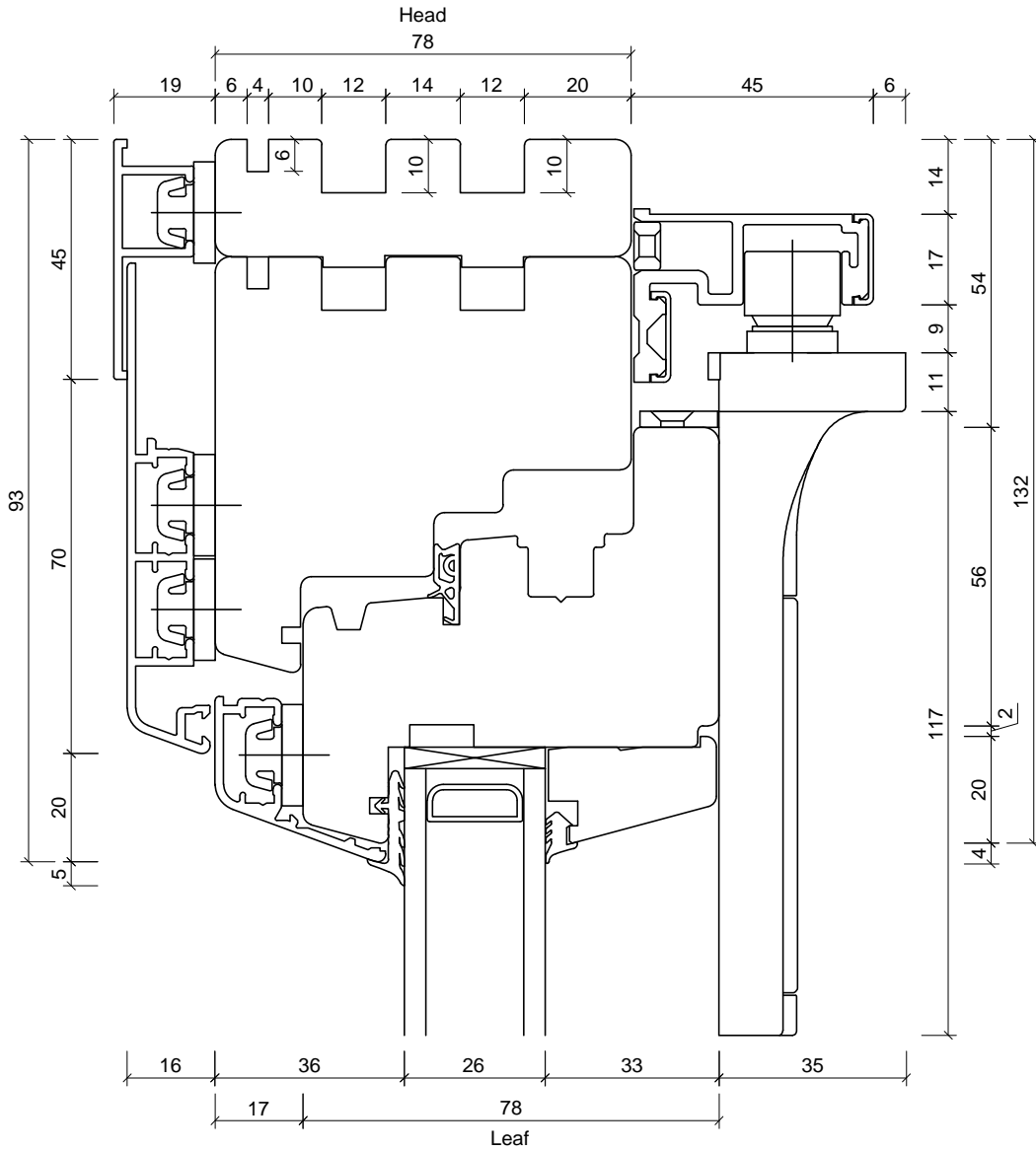
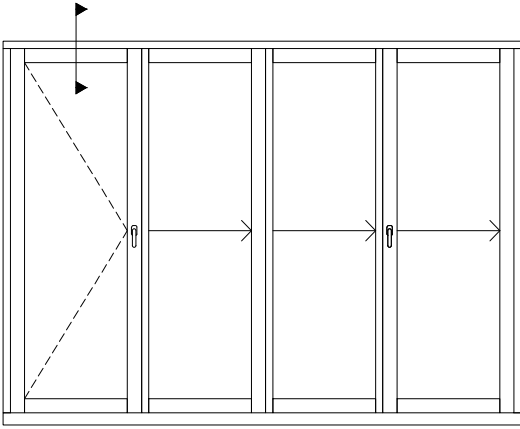


Unit 6
Ticehurst Yard
Tostock
Bury St Edmunds
Suffolk
IP30 9PH

Tel: 01359 272 646
sales@livingwoodwindows.co.uk
www.livingwoodwindows.co.uk

Unit Type:	Double Glazed Aluminium Clad Timber ROTO Bi-Fold Door	Drawing No.:	RO2A-102
		Date:	28/02/13
Drawing Title:	Section Through Timber Threshold	Drawn By:	JSE
		Scale:	NTS

This drawing remains the property of Livingwood Windows Ltd and may not be reproduced without written permission. Livingwood Windows Ltd accepts no liability arising from any party acting on information contained within this drawing. It is advised that assistance is sought from Livingwood Windows Ltd regarding matters of an individual project.



Unit 6
Ticehurst Yard
Tostock
Bury St Edmunds
Suffolk
IP30 9PH

Tel: 01359 272 646
sales@livingwoodwindows.co.uk
www.livingwoodwindows.co.uk

Unit Type:
Double Glazed Aluminium Clad Timber
ROTO Bi-Fold Door

Drawing No.:
RO2A-103

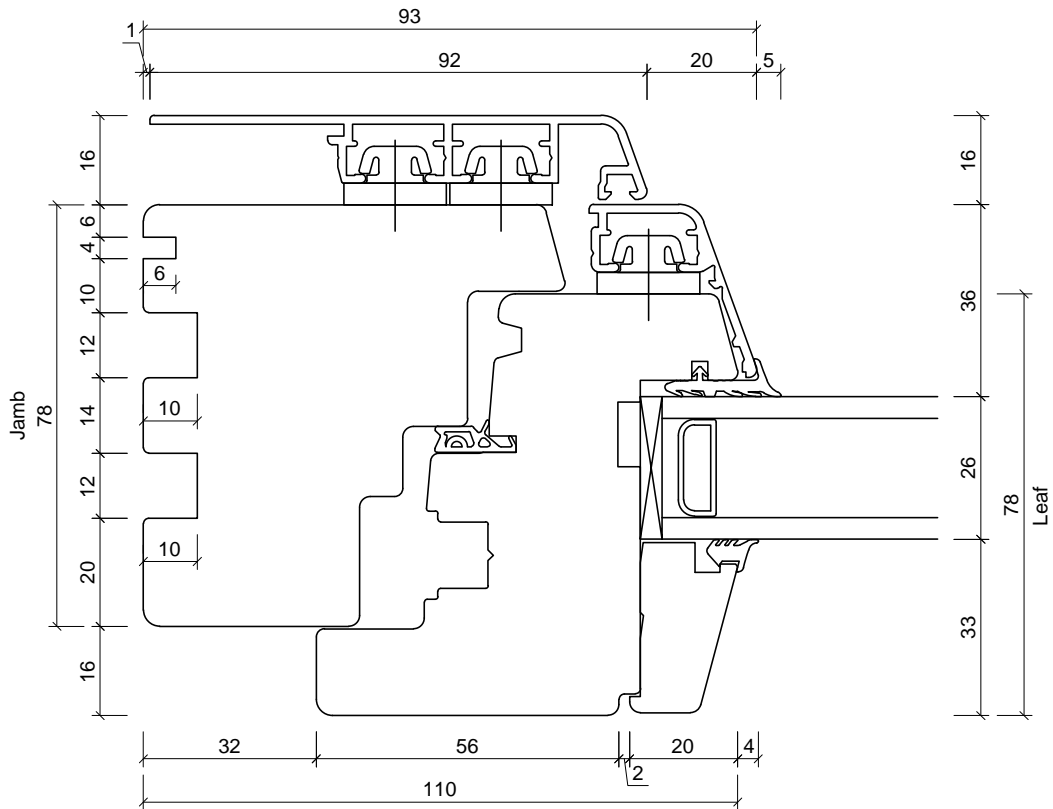
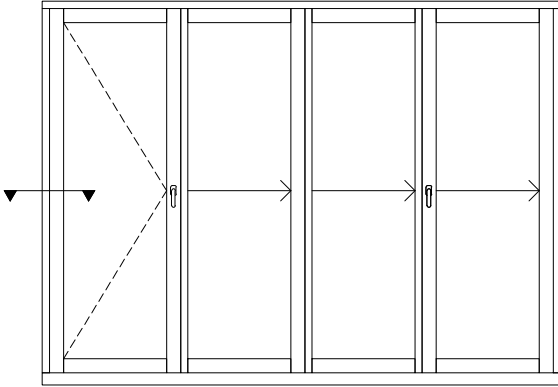
Date:
28/02/13

Drawing Title:
Section Through Head

Drawn By:
JSE

Scale:
NTS

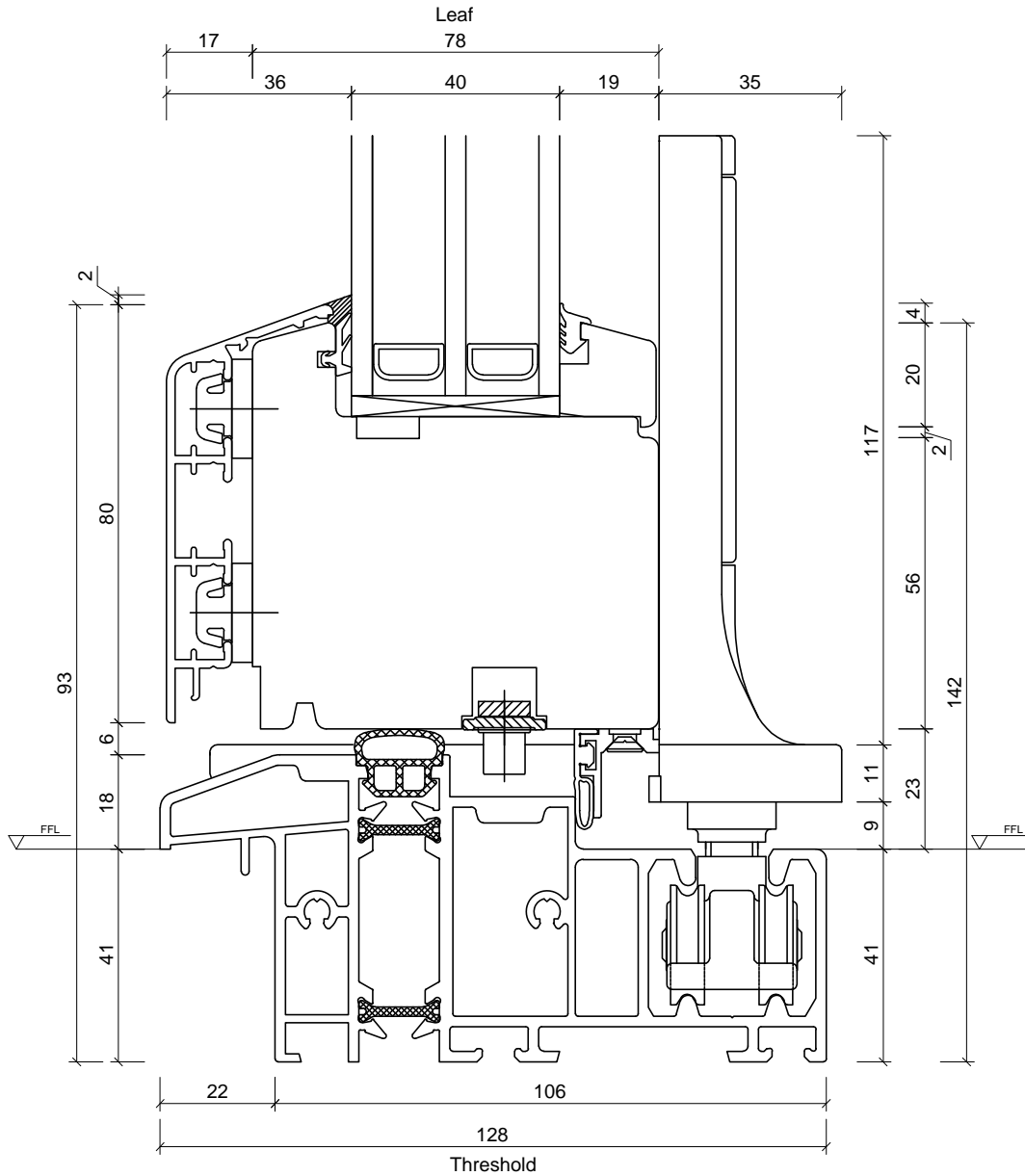
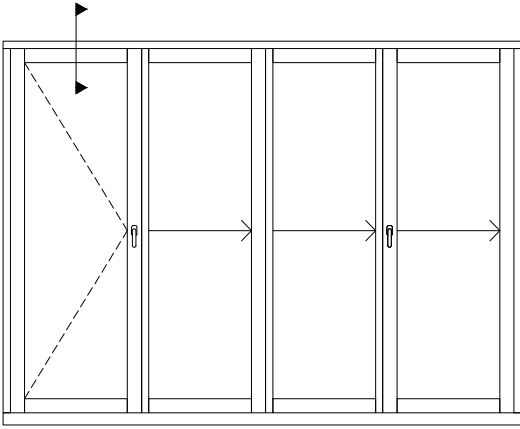
This drawing remains the property of Livingwood Windows Ltd and may not be reproduced without written permission. Livingwood Windows Ltd accepts no liability arising from any party acting on information contained within this drawing. It is advised that assistance is sought from Livingwood Windows Ltd regarding matters of an individual project.



Unit 6
 Ticehurst Yard
 Tostock
 Bury St Edmunds
 Suffolk
 IP30 9PH

Tel: 01359 272 646
 sales@livingwoodwindows.co.uk
 www.livingwoodwindows.co.uk

Unit Type:	Double Glazed Aluminium Clad Timber ROTO Bi-Fold Door	Drawing No.:	RO2A-104
		Date:	28/02/13
Drawing Title:	Section Through Jamb	Drawn By:	JSE
		Scale:	NTS
<small>This drawing remains the property of Livingwood Windows Ltd and may not be reproduced without written permission. Livingwood Windows Ltd accepts no liability arising from any party acting on information contained within this drawing. It is advised that assistance is sought from Livingwood Windows Ltd regarding matters of an individual project.</small>			



Unit 6
Ticehurst Yard
Tostock
Bury St Edmunds
Suffolk
IP30 9PH

Tel: 01359 272 646
sales@livingwoodwindows.co.uk
www.livingwoodwindows.co.uk

Unit Type:
Triple Glazed Aluminium Clad Timber
ROTO Bi-Fold Door

Drawing No.:
RO3A-101

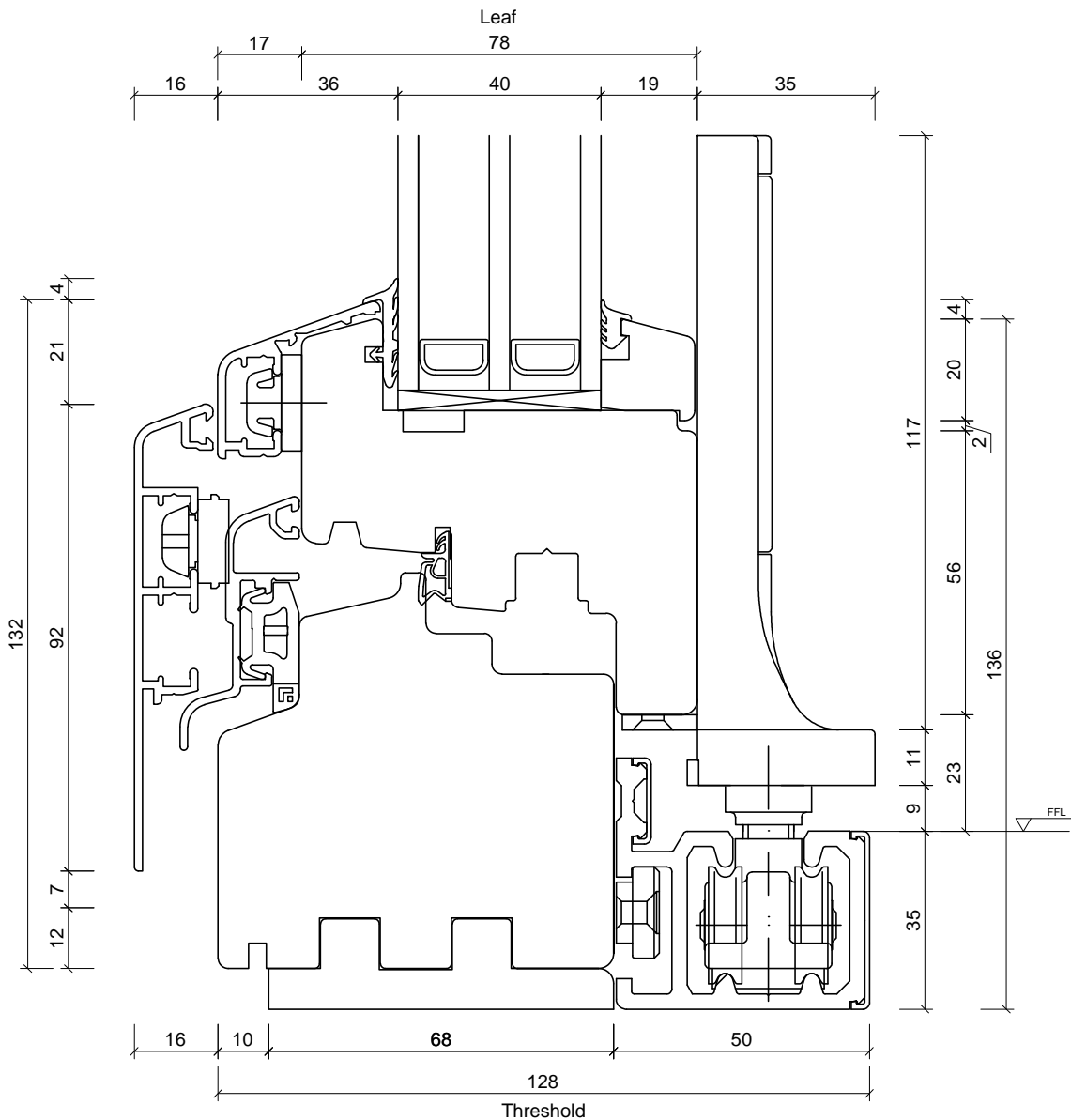
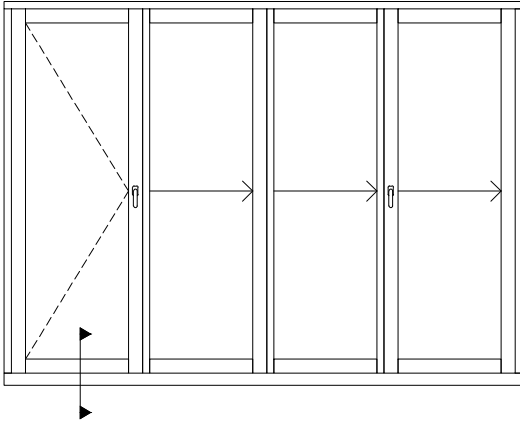
Date:
28/02/13

Drawing Title:
Section Through Enhanced
Aluminium Threshold

Drawn By:
JSE

Scale:
NTS

This drawing remains the property of Livingwood Windows Ltd and may not be reproduced without written permission. Livingwood Windows Ltd accepts no liability arising from any party acting on information contained within this drawing. It is advised that assistance is sought from Livingwood Windows Ltd regarding matters of an individual project.



Unit 6
Ticehurst Yard
Tostock
Bury St Edmunds
Suffolk
IP30 9PH

Tel: 01359 272 646
sales@livingwoodwindows.co.uk
www.livingwoodwindows.co.uk

Unit Type:
Triple Glazed Aluminium Clad Timber
ROTO Bi-Fold Door

Drawing No.:
RO3A-102

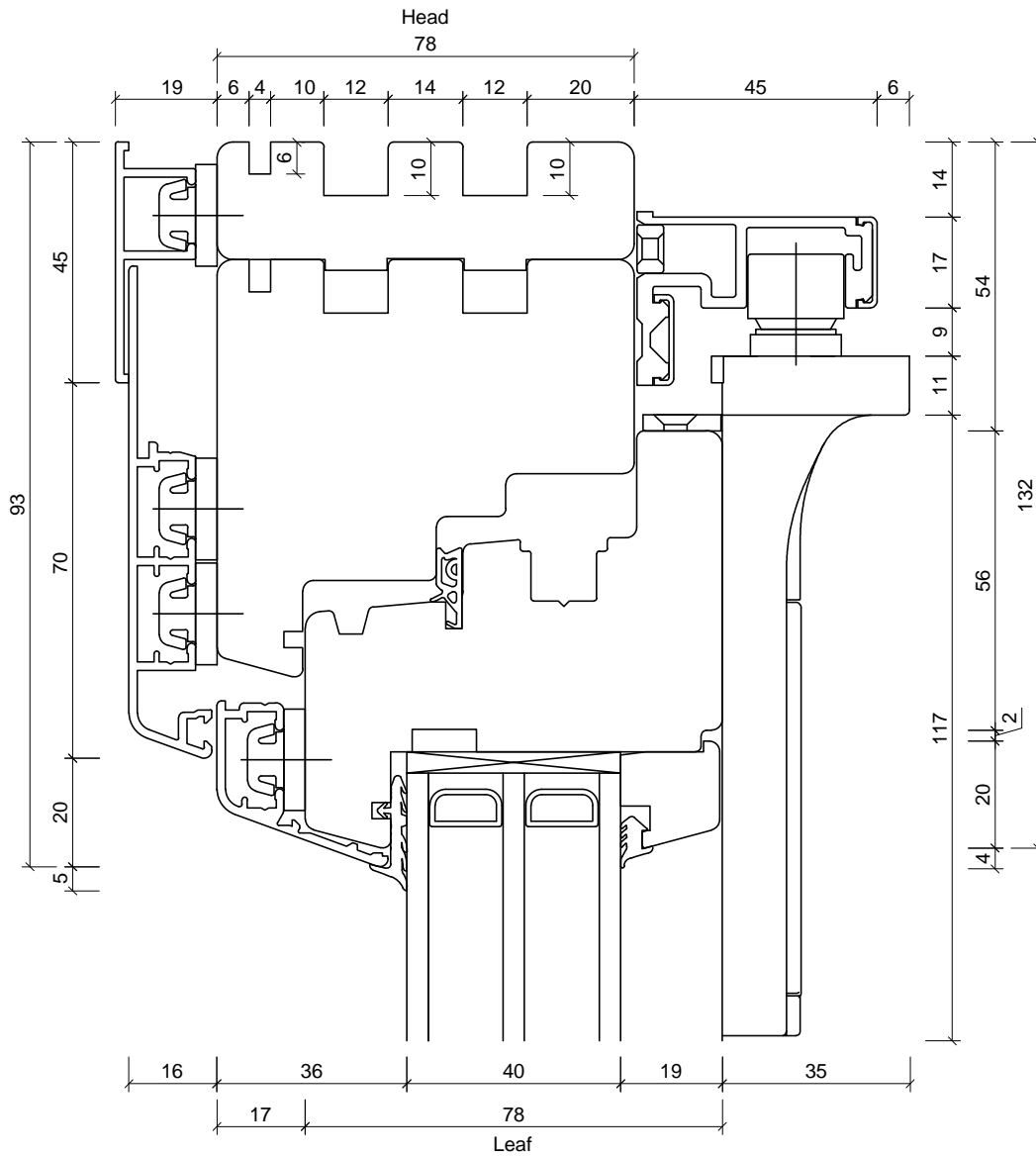
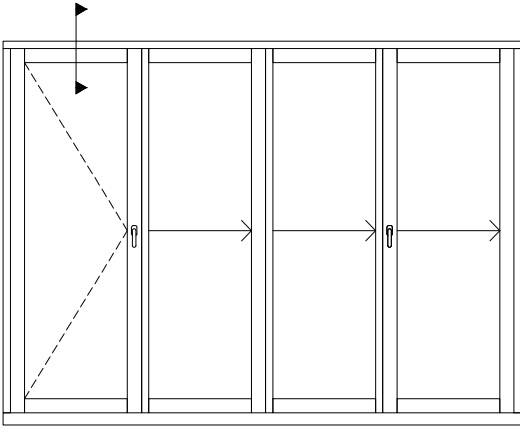
Date:
28/02/13

Drawing Title:
Section Through Timber Threshold

Drawn By:
JSE

Scale:
NTS

This drawing remains the property of Livingwood Windows Ltd and may not be reproduced without written permission. Livingwood Windows Ltd accepts no liability arising from any party acting on information contained within this drawing. It is advised that assistance is sought from Livingwood Windows Ltd regarding matters of an individual project.



Unit 6
Ticehurst Yard
Tostock
Bury St Edmunds
Suffolk
IP30 9PH

Tel: 01359 272 646
sales@livingwoodwindows.co.uk
www.livingwoodwindows.co.uk

Unit Type:
Triple Glazed Aluminium Clad Timber
ROTO Bi-Fold Door

Drawing No.:
RO3A-103

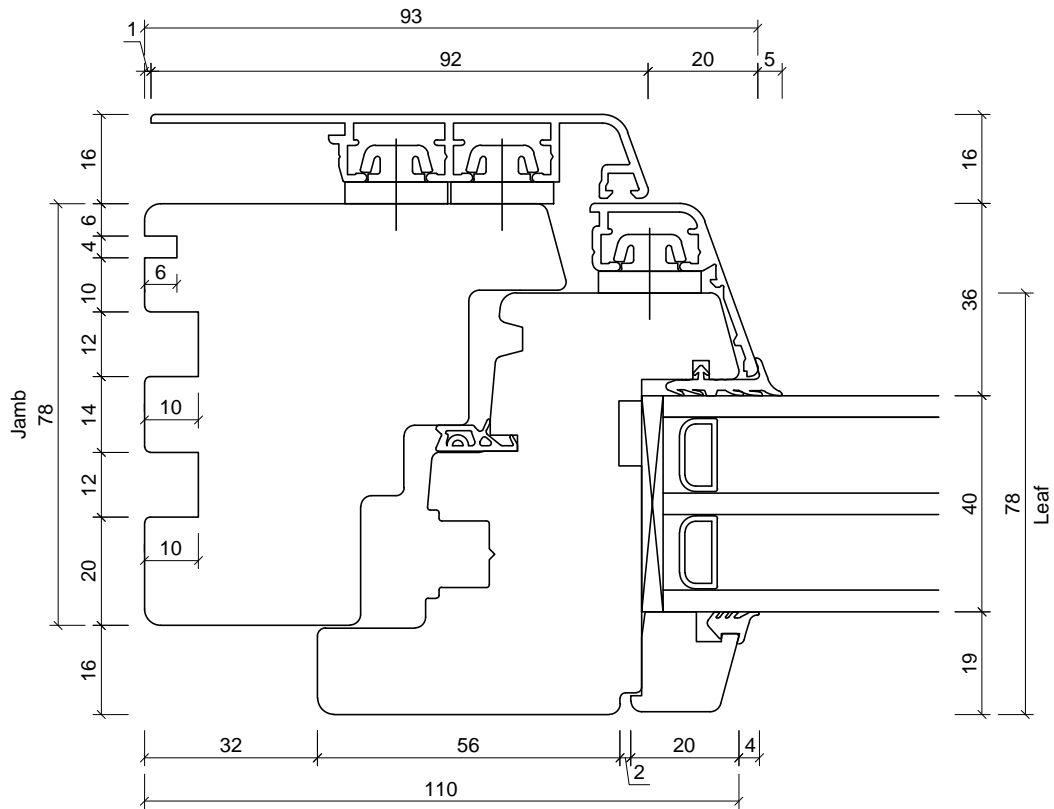
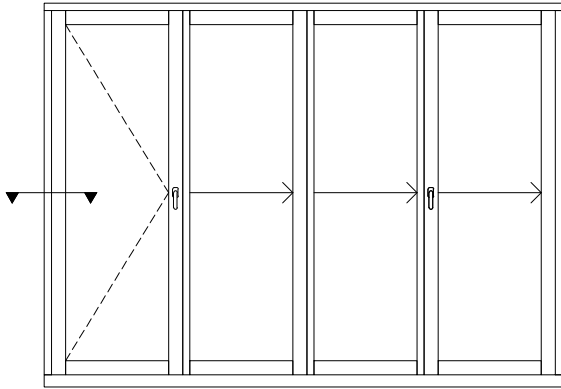
Date:
28/02/13

Drawing Title:
Section Through Head
Fixed Leaf

Drawn By:
JSE

Scale:
NTS

This drawing remains the property of Livingwood Windows Ltd and may not be reproduced without written permission. Livingwood Windows Ltd accepts no liability arising from any party acting on information contained within this drawing. It is advised that assistance is sought from Livingwood Windows Ltd regarding matters of an individual project.



Unit 6
Ticehurst Yard
Tostock
Bury St Edmunds
Suffolk
IP30 9PH

Tel: 01359 272 646
sales@livingwoodwindows.co.uk
www.livingwoodwindows.co.uk

Unit Type:	Triple Glazed Aluminium Clad Timber ROTO Bi-Fold Door	Drawing No.:	RO3A-104
		Date:	28/02/13
Drawing Title:	Section Through Jamb Sliding Leaf	Drawn By:	JSE
		Scale:	NTS
<small>This drawing remains the property of Livingwood Windows Ltd and may not be reproduced without written permission. Livingwood Windows Ltd accepts no liability arising from any party acting on information contained within this drawing. It is advised that assistance is sought from Livingwood Windows Ltd regarding matters of an individual project.</small>			