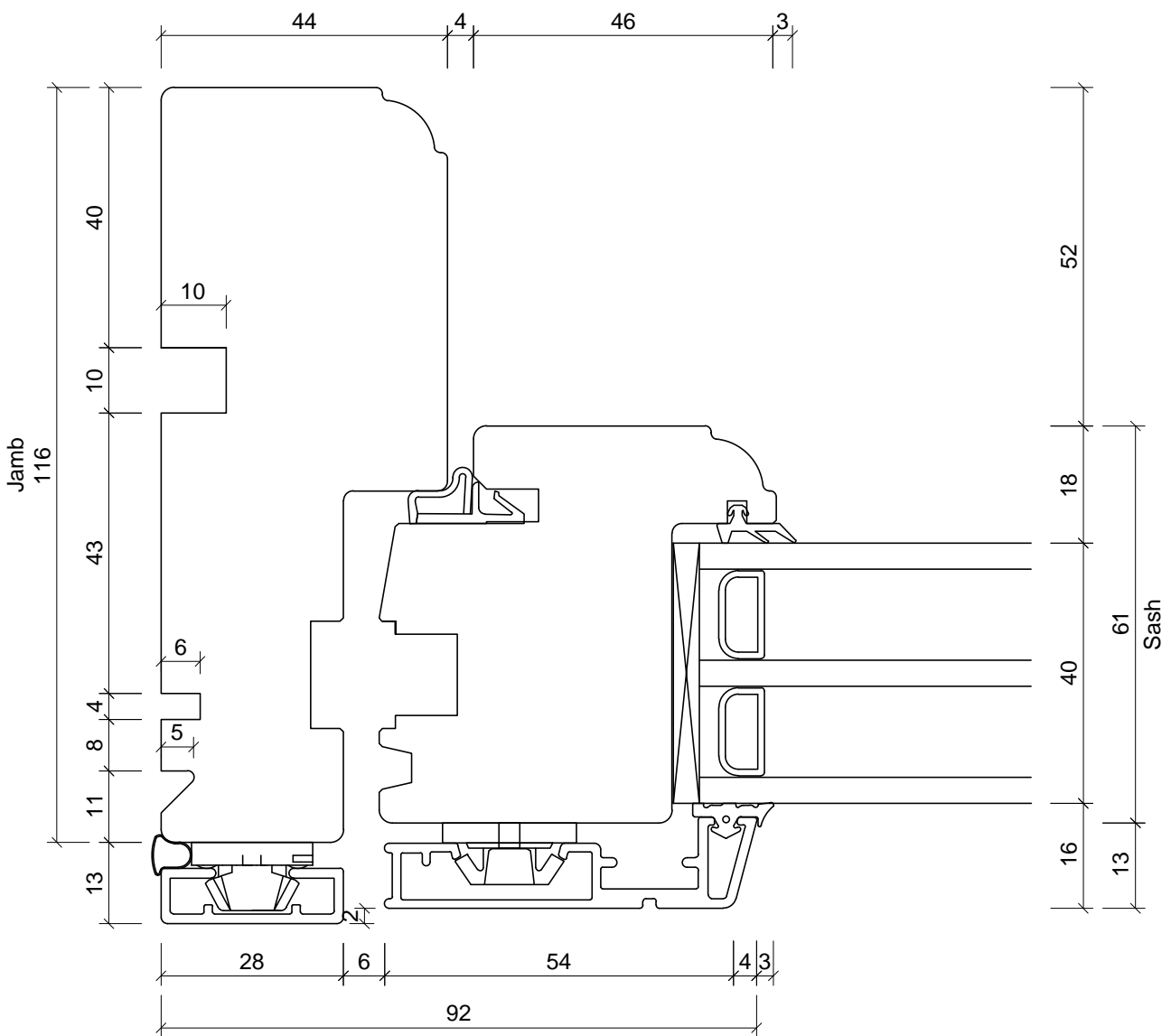
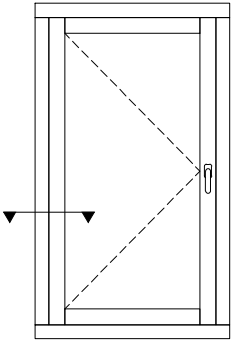


Unit 6
Ticehurst Yard
Tostock
Bury St Edmunds
Suffolk
IP30 9PH

Tel: 01359 272 646
sales@livingwoodwindows.co.uk
www.livingwoodwindows.co.uk

Unit Type:	LW123A Triple Glazed Aluminium Clad Timber Flush Casement Window	Drawing No.: LW123A-101
		Date: 28/02/13
Drawing Title:	Section Through Sill Opening Sash	Drawn By: JSE
		Scale: NTS

This drawing remains the property of Livingwood Windows Ltd and may not be reproduced without written permission. Livingwood Windows Ltd accepts no liability arising from any party acting on information contained within this drawing. It is advised that assistance is sought from Livingwood Windows Ltd regarding matters of an individual project.

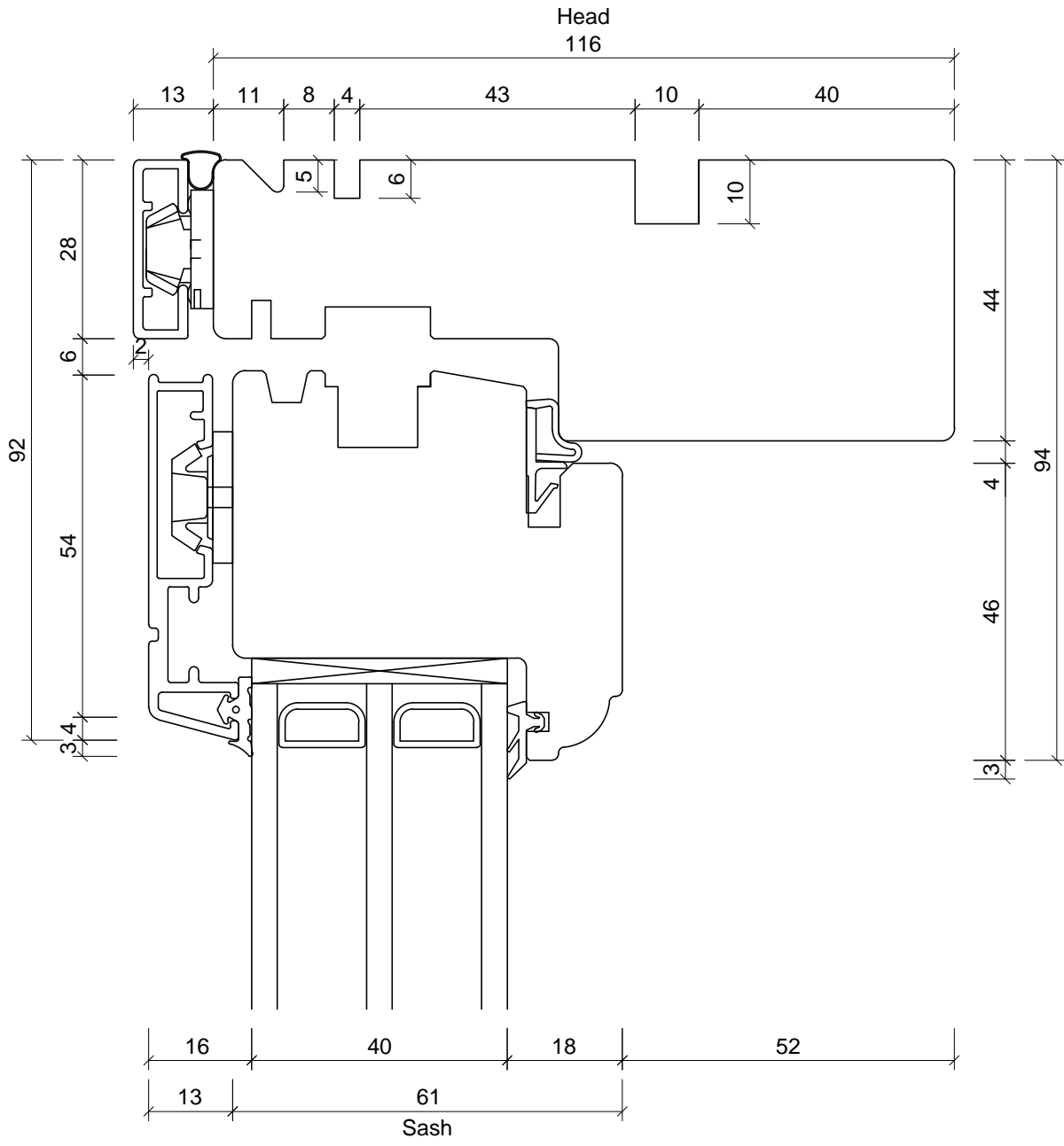
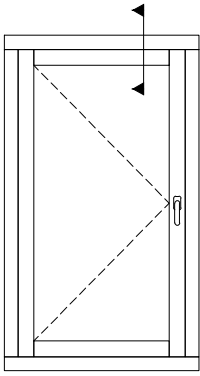


Unit 6
Ticehurst Yard
Tostock
Bury St Edmunds
Suffolk
IP30 9PH

Tel: 01359 272 646
sales@livingwoodwindows.co.uk
www.livingwoodwindows.co.uk

Unit Type:	LW123A Triple Glazed Aluminium Clad Timber Flush Casement Window	Drawing No.: LW123A-102
		Date: 28/02/13
Drawing Title:	Section Through Jamb Opening Sash	Drawn By: JSE
		Scale: NTS

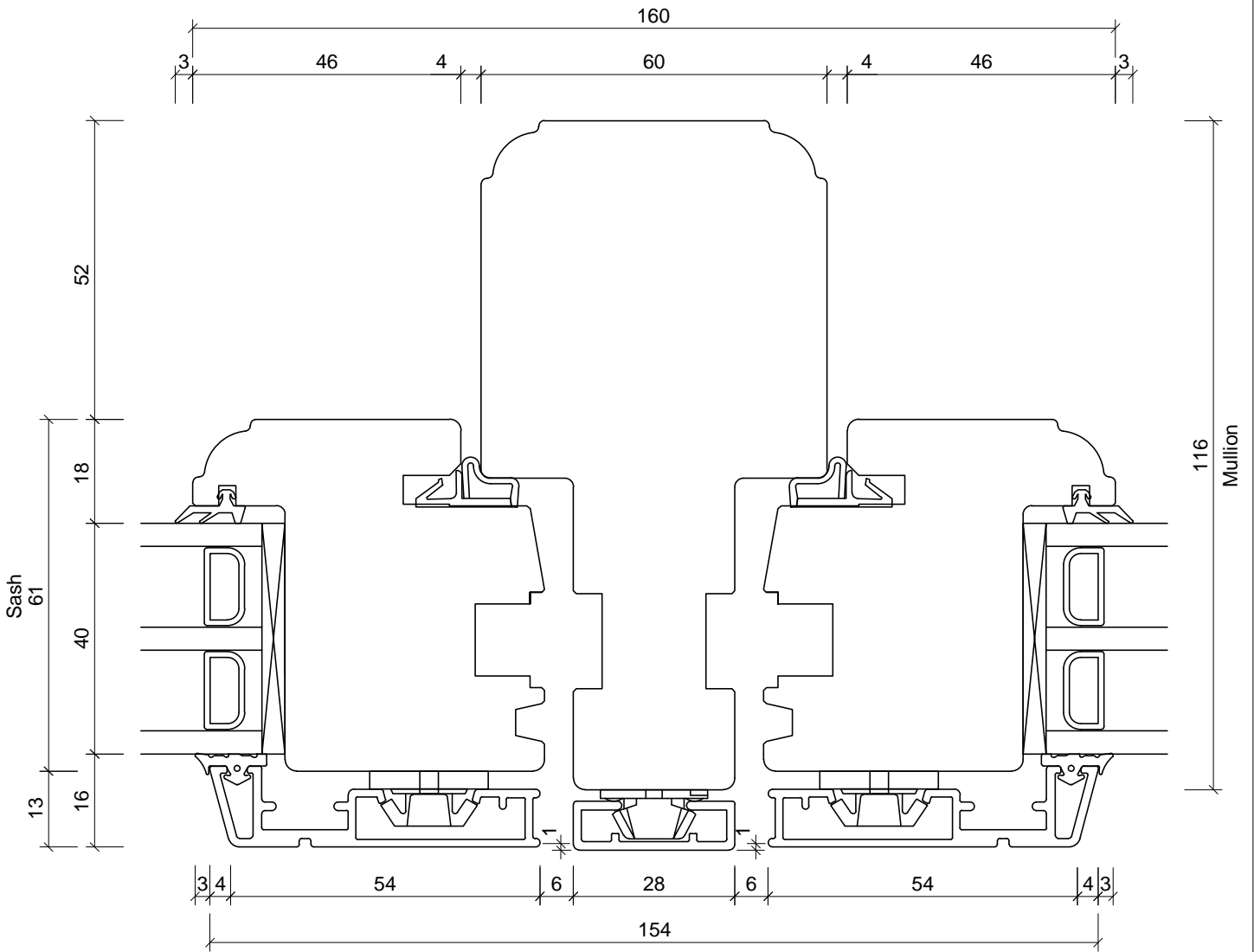
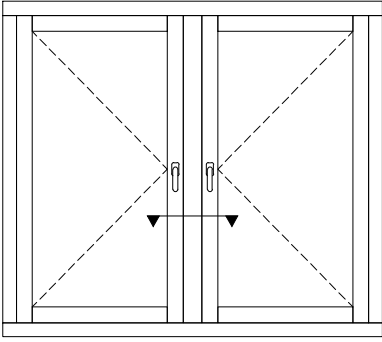
This drawing remains the property of Livingwood Windows Ltd and may not be reproduced without written permission. Livingwood Windows Ltd accepts no liability arising from any party acting on information contained within this drawing. It is advised that assistance is sought from Livingwood Windows Ltd regarding matters of an individual project.



Unit 6
Ticehurst Yard
Tostock
Bury St Edmunds
Suffolk
IP30 9PH

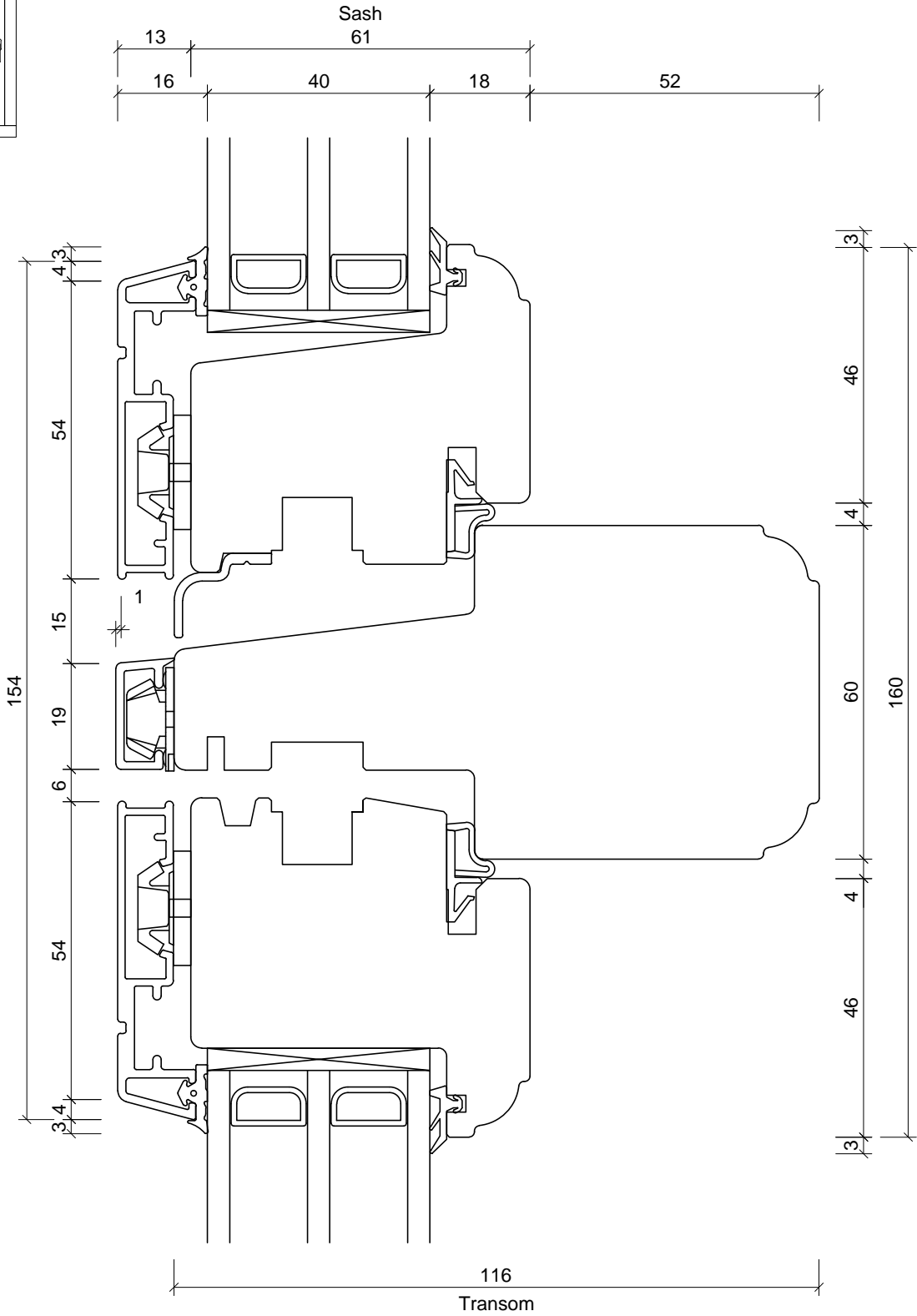
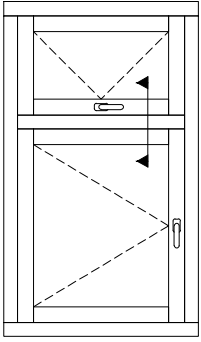
Tel: 01359 272 646
sales@livingwoodwindows.co.uk
www.livingwoodwindows.co.uk

Unit Type:	LW123A Triple Glazed Aluminium Clad Timber Flush Casement Window	Drawing No.: LW123A-103
		Date: 28/02/13
Drawing Title:	Section Through Head Opening Sash	Drawn By: JSE
		Scale: NTS
<small>This drawing remains the property of Livingwood Windows Ltd and may not be reproduced without written permission. Livingwood Windows Ltd accepts no liability arising from any party acting on information contained within this drawing. It is advised that assistance is sought from Livingwood Windows Ltd regarding matters of an individual project.</small>		



Unit 6
Ticehurst Yard
Tostock
Bury St Edmunds
Suffolk
IP30 9PH
Tel: 01359 272 646
sales@livingwoodwindows.co.uk
www.livingwoodwindows.co.uk

Unit Type:	LW123A Triple Glazed Aluminium Clad Timber Flush Casement Window	Drawing No.: LW123A-104
		Date: 28/02/13
Drawing Title:	Section Through Fixed Mullion Opening Sash/Opening Sash	Drawn By: JSE
		Scale: NTS
<small>This drawing remains the property of Livingwood Windows Ltd and may not be reproduced without written permission. Livingwood Windows Ltd accepts no liability arising from any party acting on information contained within this drawing. It is advised that assistance is sought from Livingwood Windows Ltd regarding matters of an individual project.</small>		



Unit 6
Ticehurst Yard
Tostock
Bury St Edmunds
Suffolk
IP30 9PH

Tel: 01359 272 646
sales@livingwoodwindows.co.uk
www.livingwoodwindows.co.uk

Unit Type:

LW123A
Triple Glazed Aluminium Clad Timber
Flush Casement Window

Drawing Title:

Section Through Transom
Opening Sash/Opening Sash

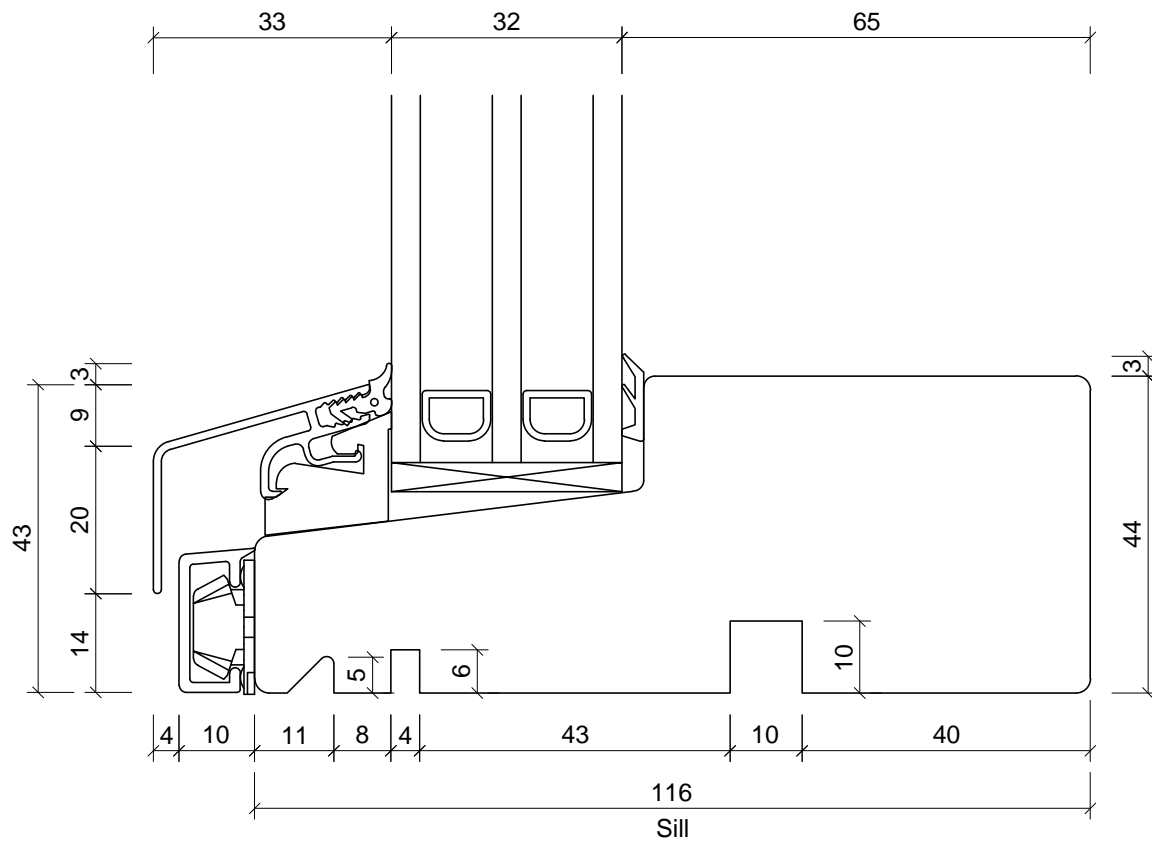
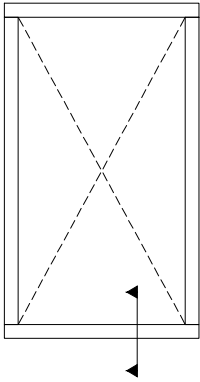
Drawing No.:
LW123A-105

Date:
28/02/13

Drawn By:
JSE

Scale:
NTS

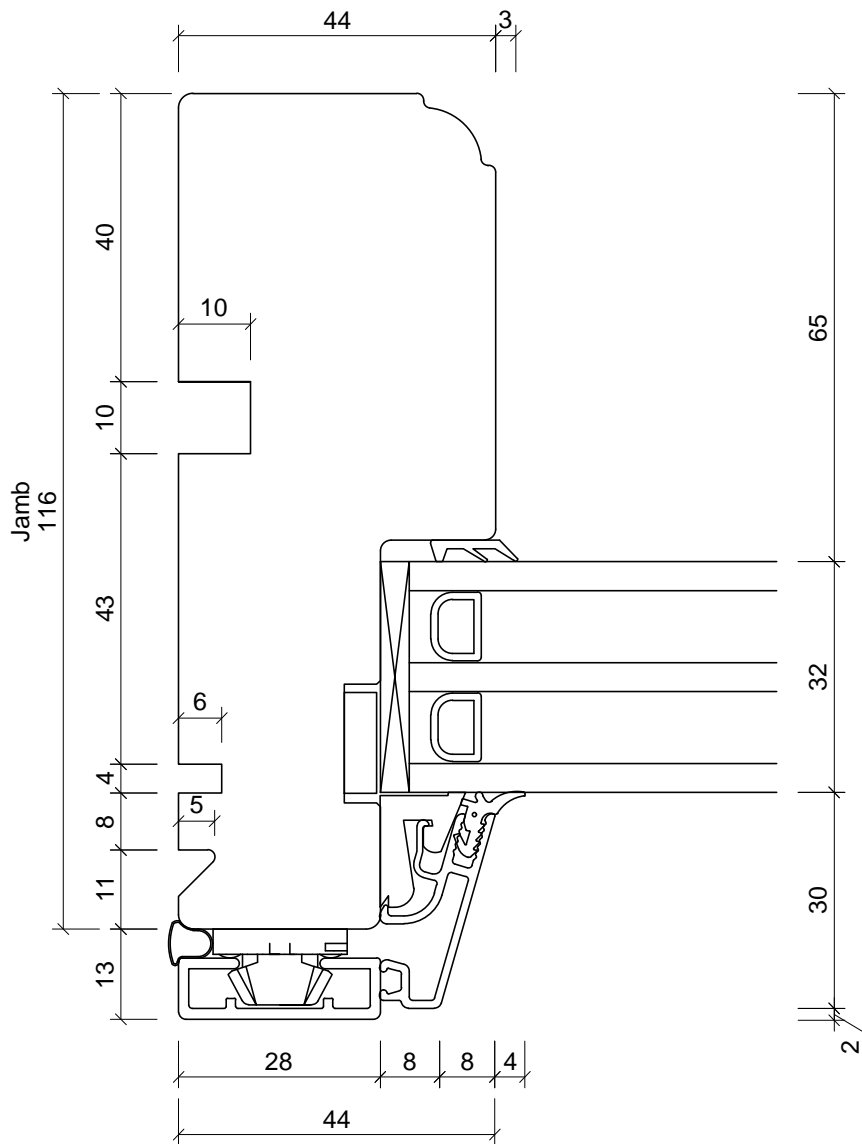
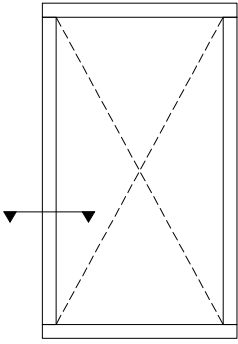
This drawing remains the property of Livingwood Windows Ltd and may not be reproduced without written permission. Livingwood Windows Ltd accepts no liability arising from any party acting on information contained within this drawing. It is advised that assistance is sought from Livingwood Windows Ltd regarding matters of an individual project.



Unit 6
Ticehurst Yard
Tostock
Bury St Edmunds
Suffolk
IP30 9PH

Tel: 01359 272 646
sales@livingwoodwindows.co.uk
www.livingwoodwindows.co.uk

Unit Type:	LW123A Triple Glazed Aluminium Clad Timber Flush Casement Window	Drawing No.: LW123A-106
		Date: 28/02/13
Drawing Title:	Section Through Sill Fixed Light	Drawn By: JSE
		Scale: NTS
<small>This drawing remains the property of Livingwood Windows Ltd and may not be reproduced without written permission. Livingwood Windows Ltd accepts no liability arising from any party acting on information contained within this drawing. It is advised that assistance is sought from Livingwood Windows Ltd regarding matters of an individual project.</small>		

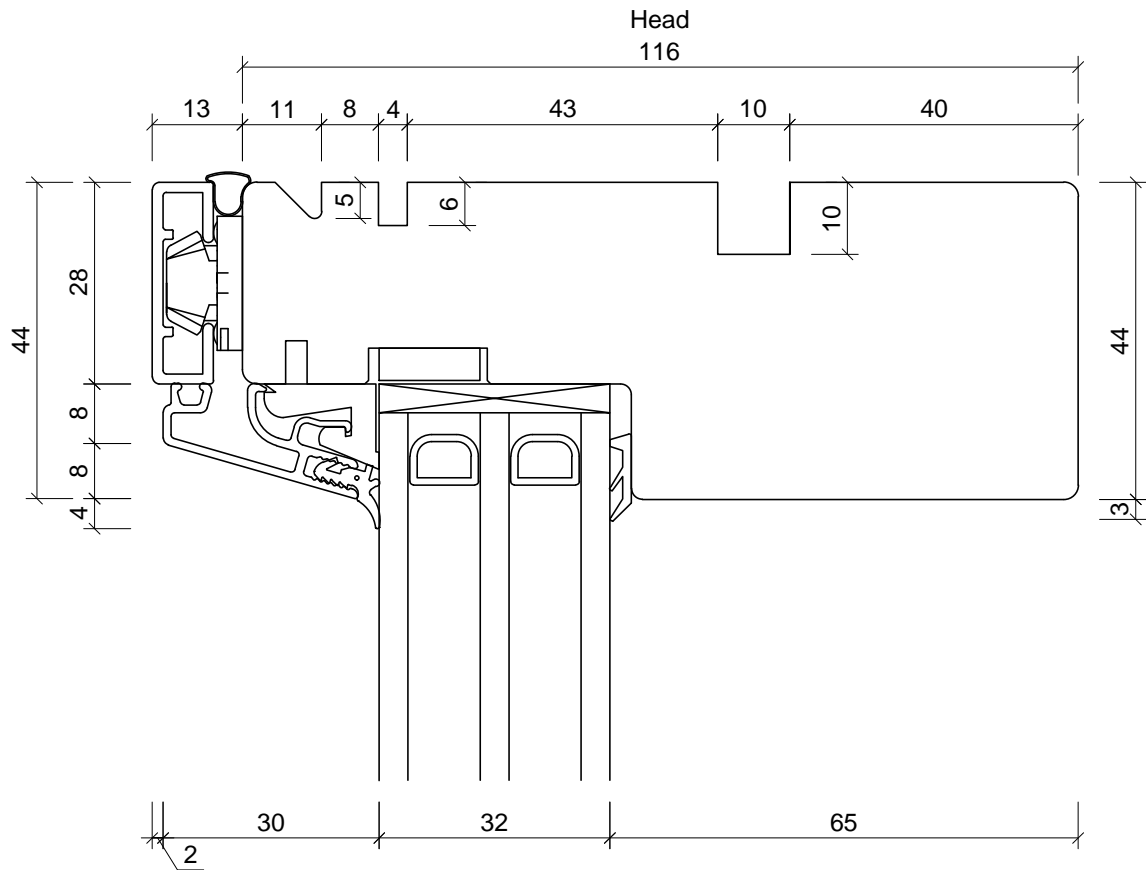
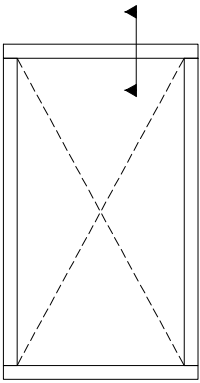


Unit 6
Ticehurst Yard
Tostock
Bury St Edmunds
Suffolk
IP30 9PH

Tel: 01359 272 646
sales@livingwoodwindows.co.uk
www.livingwoodwindows.co.uk

Unit Type:	LW123A Triple Glazed Aluminium Clad Timber Flush Casement Window	Drawing No.:	LW123A-107
		Date:	28/02/13
Drawing Title:	Section Through Jamb Fixed Light	Drawn By:	JSE
		Scale:	NTS

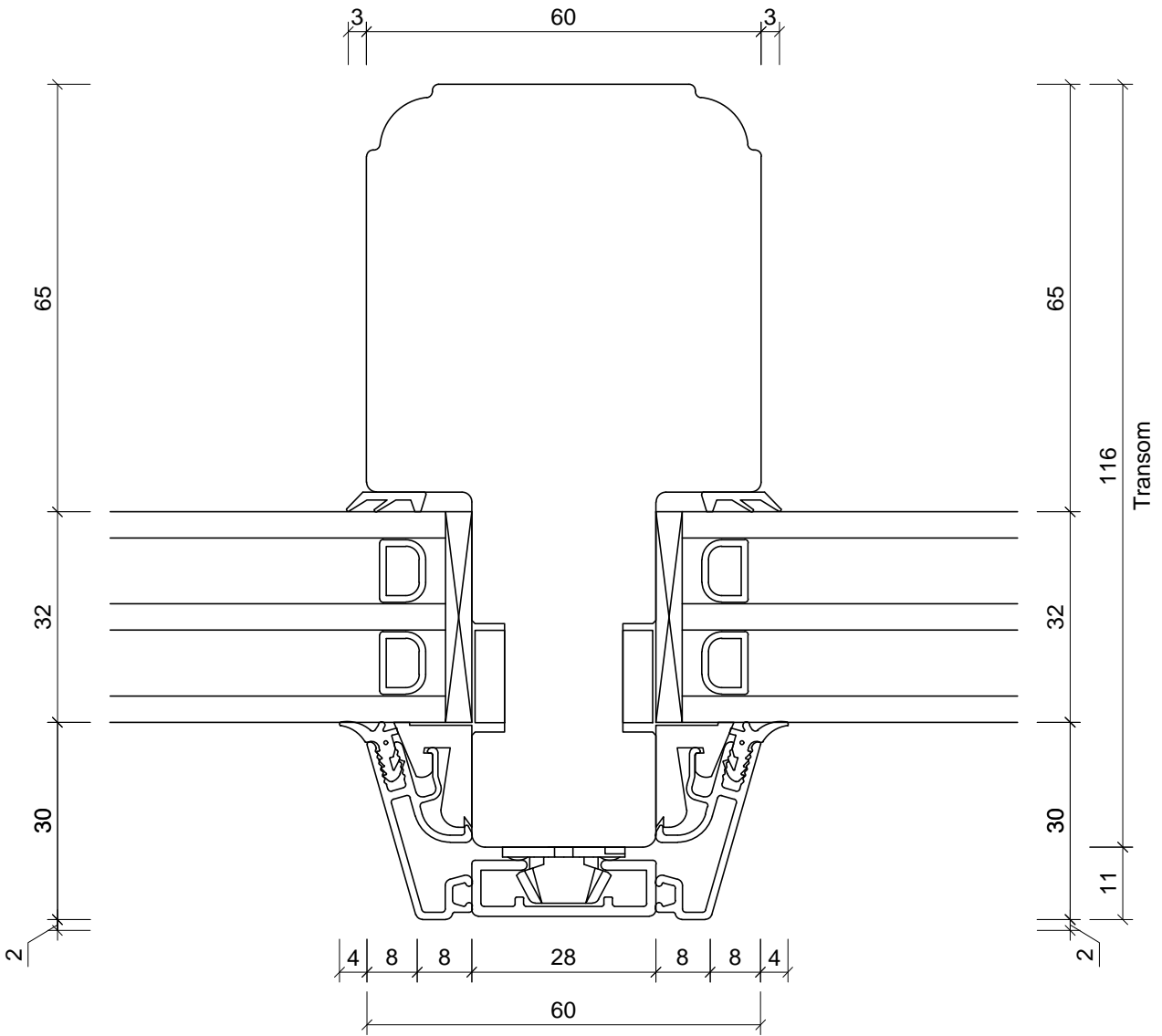
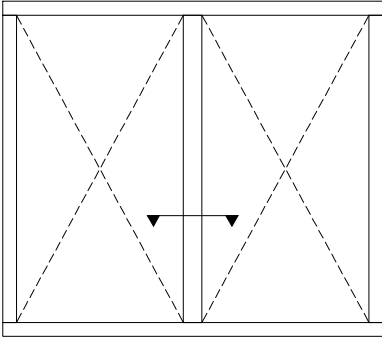
This drawing remains the property of Livingwood Windows Ltd and may not be reproduced without written permission. Livingwood Windows Ltd accepts no liability arising from any party acting on information contained within this drawing. It is advised that assistance is sought from Livingwood Windows Ltd regarding matters of an individual project.



Unit 6
Ticehurst Yard
Tostock
Bury St Edmunds
Suffolk
IP30 9PH

Tel: 01359 272 646
sales@livingwoodwindows.co.uk
www.livingwoodwindows.co.uk

Unit Type:	LW123A Triple Glazed Aluminium Clad Timber Flush Casement Window	Drawing No.: LW123A-108
		Date: 28/02/13
Drawing Title:	Section Through Head Fixed Light	Drawn By: JSE
		Scale: NTS
<small>This drawing remains the property of Livingwood Windows Ltd and may not be reproduced without written permission. Livingwood Windows Ltd accepts no liability arising from any party acting on information contained within this drawing. It is advised that assistance is sought from Livingwood Windows Ltd regarding matters of an individual project.</small>		

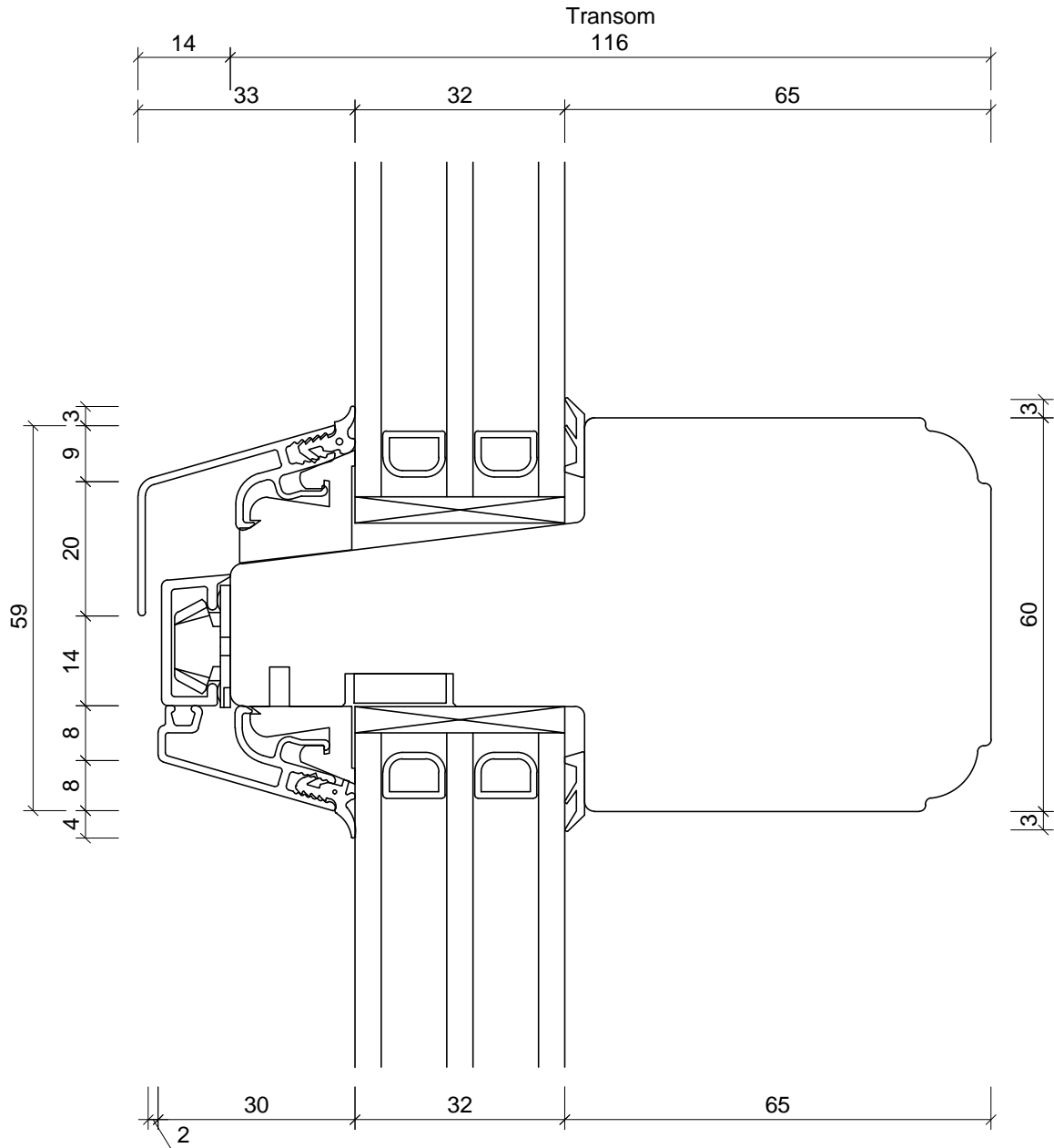
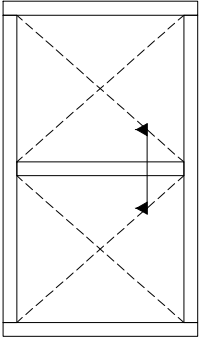


Unit 6
Ticehurst Yard
Tostock
Bury St Edmunds
Suffolk
IP30 9PH

Tel: 01359 272 646
sales@livingwoodwindows.co.uk
www.livingwoodwindows.co.uk

Unit Type:	LW123A Triple Glazed Aluminium Clad Timber Flush Casement Window	Drawing No.: LW123A-109
		Date: 28/02/13
Drawing Title:	Section Through Mullion Fixed Light/Fixed Light	Drawn By: JSE
		Scale: NTS

This drawing remains the property of Livingwood Windows Ltd and may not be reproduced without written permission. Livingwood Windows Ltd accepts no liability arising from any party acting on information contained within this drawing. It is advised that assistance is sought from Livingwood Windows Ltd regarding matters of an individual project.



Unit 6
Ticehurst Yard
Tostock
Bury St Edmunds
Suffolk
IP30 9PH

Tel: 01359 272 646
sales@livingwoodwindows.co.uk
www.livingwoodwindows.co.uk

Unit Type:
LW123A
Triple Glazed Aluminium Clad Timber
Flush Casement Window

Drawing Title:
Section Through Transom
Fixed Light/Fixed Light

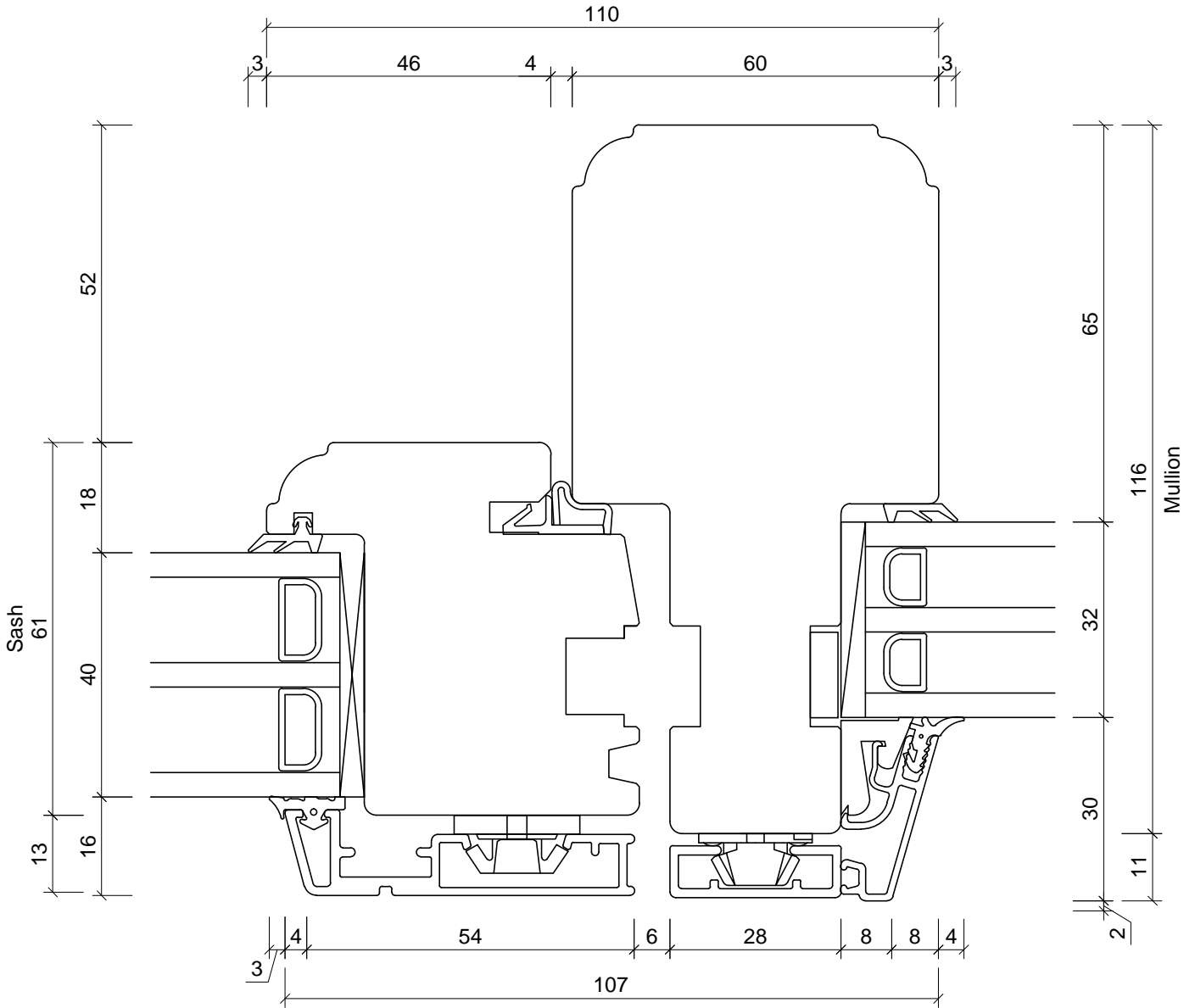
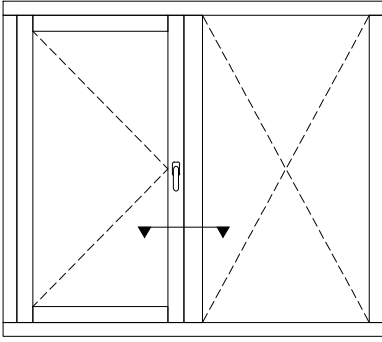
Drawing No.:
LW123A-110

Date:
28/02/13

Drawn By:
JSE

Scale:
NTS

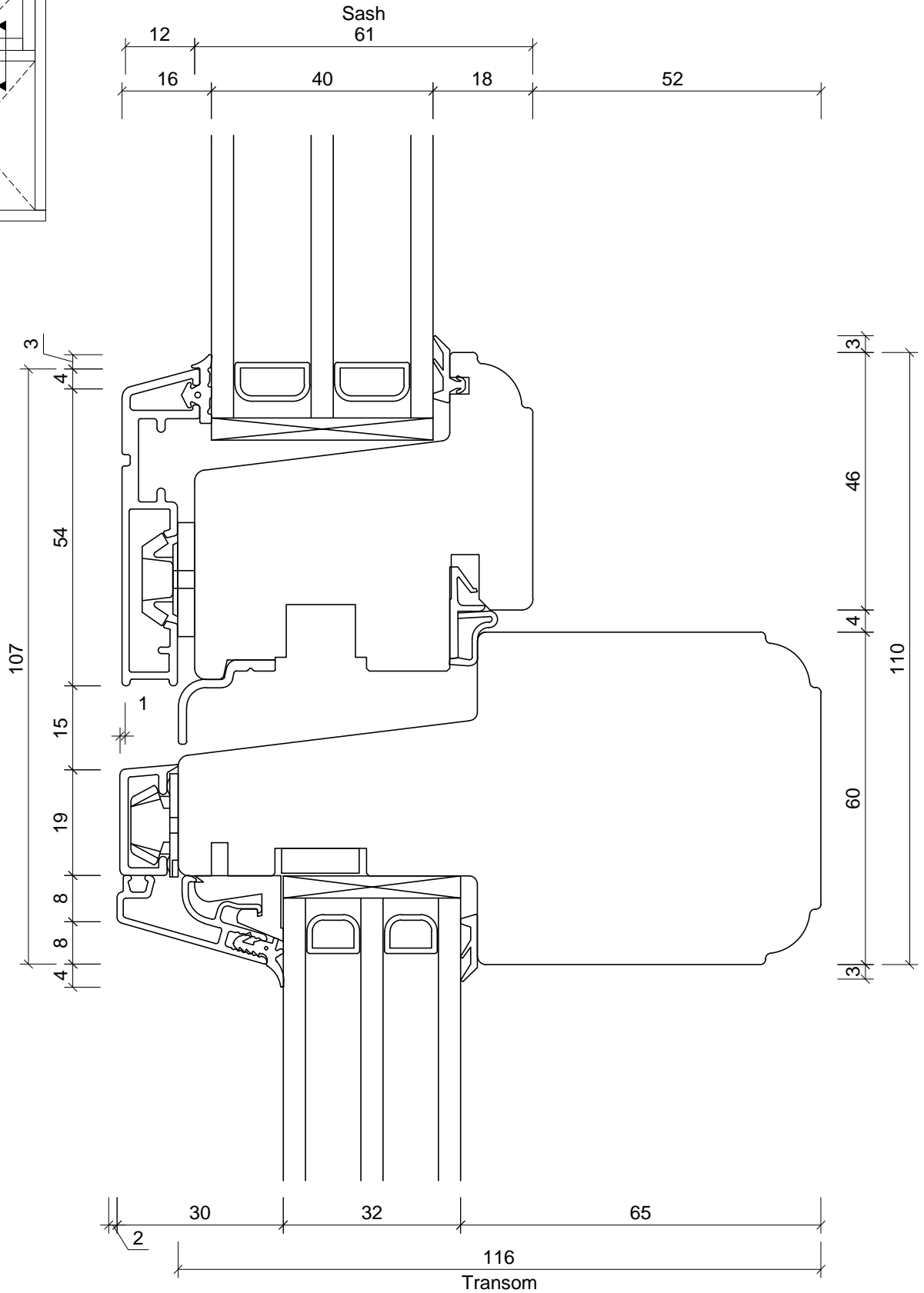
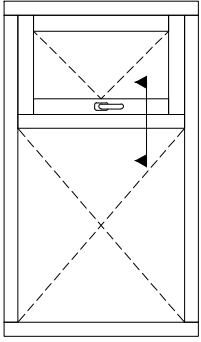
This drawing remains the property of Livingwood Windows Ltd and may not be reproduced without written permission. Livingwood Windows Ltd accepts no liability arising from any party acting on information contained within this drawing. It is advised that assistance is sought from Livingwood Windows Ltd regarding matters of an individual project.



Unit 6
Ticehurst Yard
Tostock
Bury St Edmunds
Suffolk
IP30 9PH

Tel: 01359 272 646
sales@livingwoodwindows.co.uk
www.livingwoodwindows.co.uk

Unit Type:	LW123A Triple Glazed Aluminium Clad Timber Flush Casement Window	Drawing No.: LW123A-111
		Date: 28/02/13
Drawing Title:	Section Through Mullion Opening Sash/Fixed Light	Drawn By: JSE
		Scale: NTS
<small>This drawing remains the property of Livingwood Windows Ltd and may not be reproduced without written permission. Livingwood Windows Ltd accepts no liability arising from any party acting on information contained within this drawing. It is advised that assistance is sought from Livingwood Windows Ltd regarding matters of an individual project.</small>		

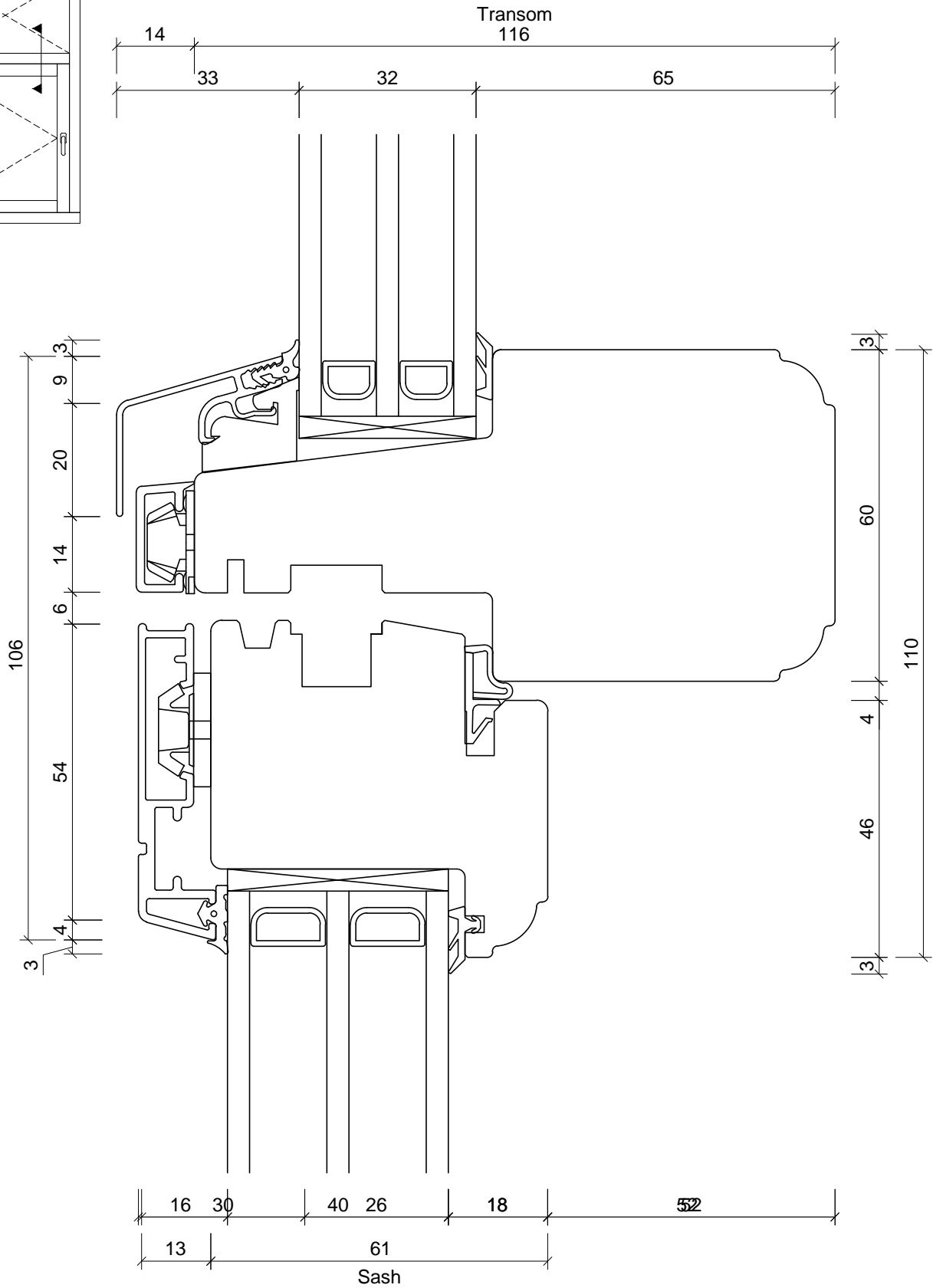
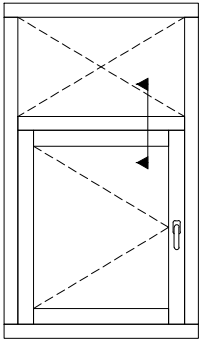


Unit 6
Ticehurst Yard
Tostock
Bury St Edmunds
Suffolk
IP30 9PH

Tel: 01359 272 646
sales@livingwoodwindows.co.uk
www.livingwoodwindows.co.uk

Unit Type:	LW123A Triple Glazed Aluminium Clad Timber Flush Casement Window	Drawing No.:	LW123A-112
		Date:	28/02/13
Drawing Title:	Section Through Transom Opening Sash/Fixed Light	Drawn By:	JSE
		Scale:	NTS

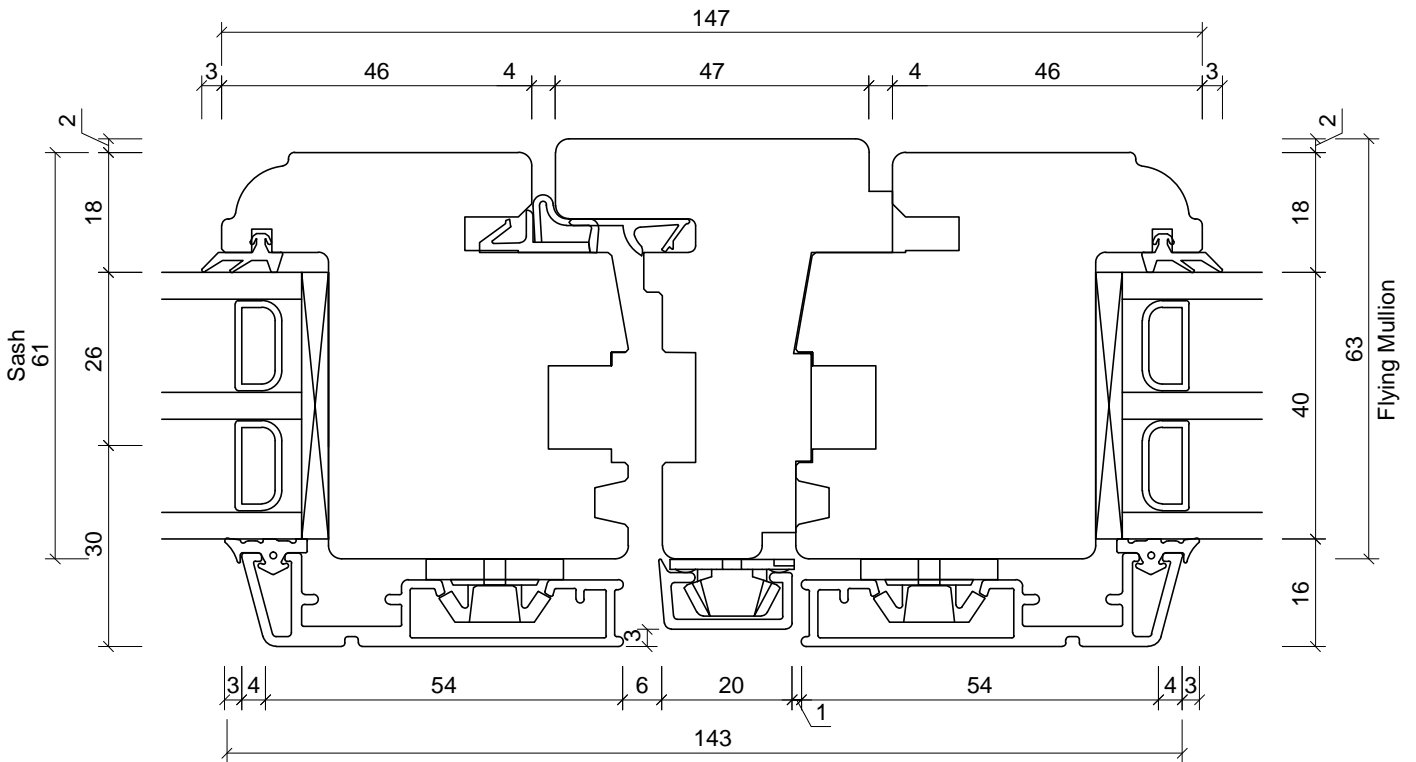
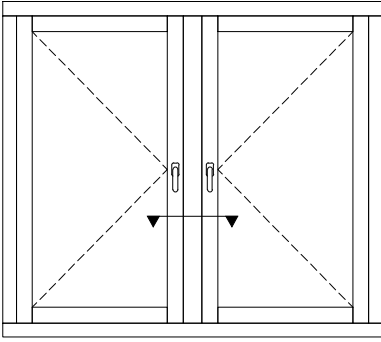
This drawing remains the property of Livingwood Windows Ltd and may not be reproduced without written permission. Livingwood Windows Ltd accepts no liability arising from any party acting on information contained within this drawing. It is advised that assistance is sought from Livingwood Windows Ltd regarding matters of an individual project.



Unit 6
Ticehurst Yard
Tostock
Bury St Edmunds
Suffolk
IP30 9PH

Tel: 01359 272 646
sales@livingwoodwindows.co.uk
www.livingwoodwindows.co.uk

Unit Type:	LW123A Triple Glazed Aluminium Clad Timber Flush Casement Window	Drawing No.:	LW123A-113
		Date:	28/02/13
Drawing Title:	Section Through Transom Fixed Light/Opening Sash	Drawn By:	JSE
		Scale:	NTS
<small>This drawing remains the property of Livingwood Windows Ltd and may not be reproduced without written permission. Livingwood Windows Ltd accepts no liability arising from any party acting on information contained within this drawing. It is advised that assistance is sought from Livingwood Windows Ltd regarding matters of an individual project.</small>			



Unit 6
Ticehurst Yard
Tostock
Bury St Edmunds
Suffolk
IP30 9PH

Tel: 01359 272 646
sales@livingwoodwindows.co.uk
www.livingwoodwindows.co.uk

Unit Type:	LW123A Triple Glazed Aluminium Clad Timber Flush Casement Window	Drawing No.: LW123A-114
		Date: 28/02/13
Drawing Title:	Section Through Flying Mullion Primary Sash/Secondary Sash	Drawn By: JSE
		Scale: NTS

This drawing remains the property of Livingwood Windows Ltd and may not be reproduced without written permission. Livingwood Windows Ltd accepts no liability arising from any party acting on information contained within this drawing. It is advised that assistance is sought from Livingwood Windows Ltd regarding matters of an individual project.