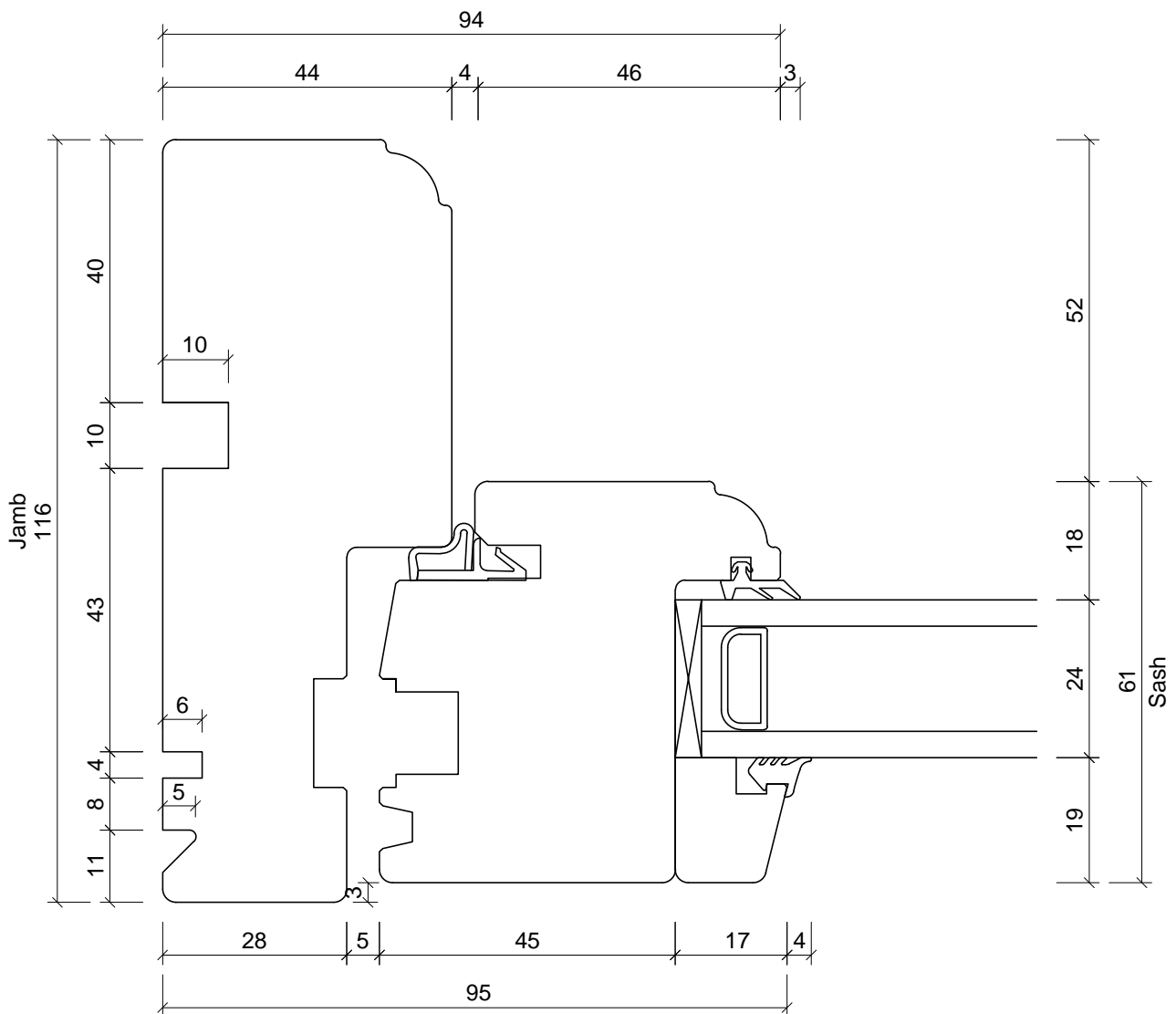
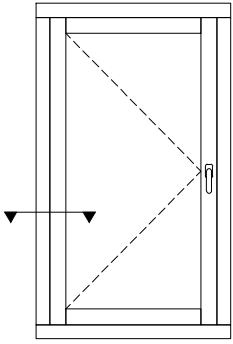


Unit 6
Ticehurst Yard
Tostock
Bury St Edmunds
Suffolk
IP30 9PH

Tel: 01359 272 646
sales@livingwoodwindows.co.uk
www.livingwoodwindows.co.uk

Unit Type:	LW12 Double Glazed Timber Flush Casement Window	Drawing No.:	LW12-101
		Date:	28/02/13
Drawing Title:	Section Through Sill Opening Sash	Drawn By:	JSE
		Scale:	NTS
<small>This drawing remains the property of Livingwood Windows Ltd and may not be reproduced without written permission. Livingwood Windows Ltd accepts no liability arising from any party acting on information contained within this drawing. It is advised that assistance is sought from Livingwood Windows Ltd regarding matters of an individual project.</small>			

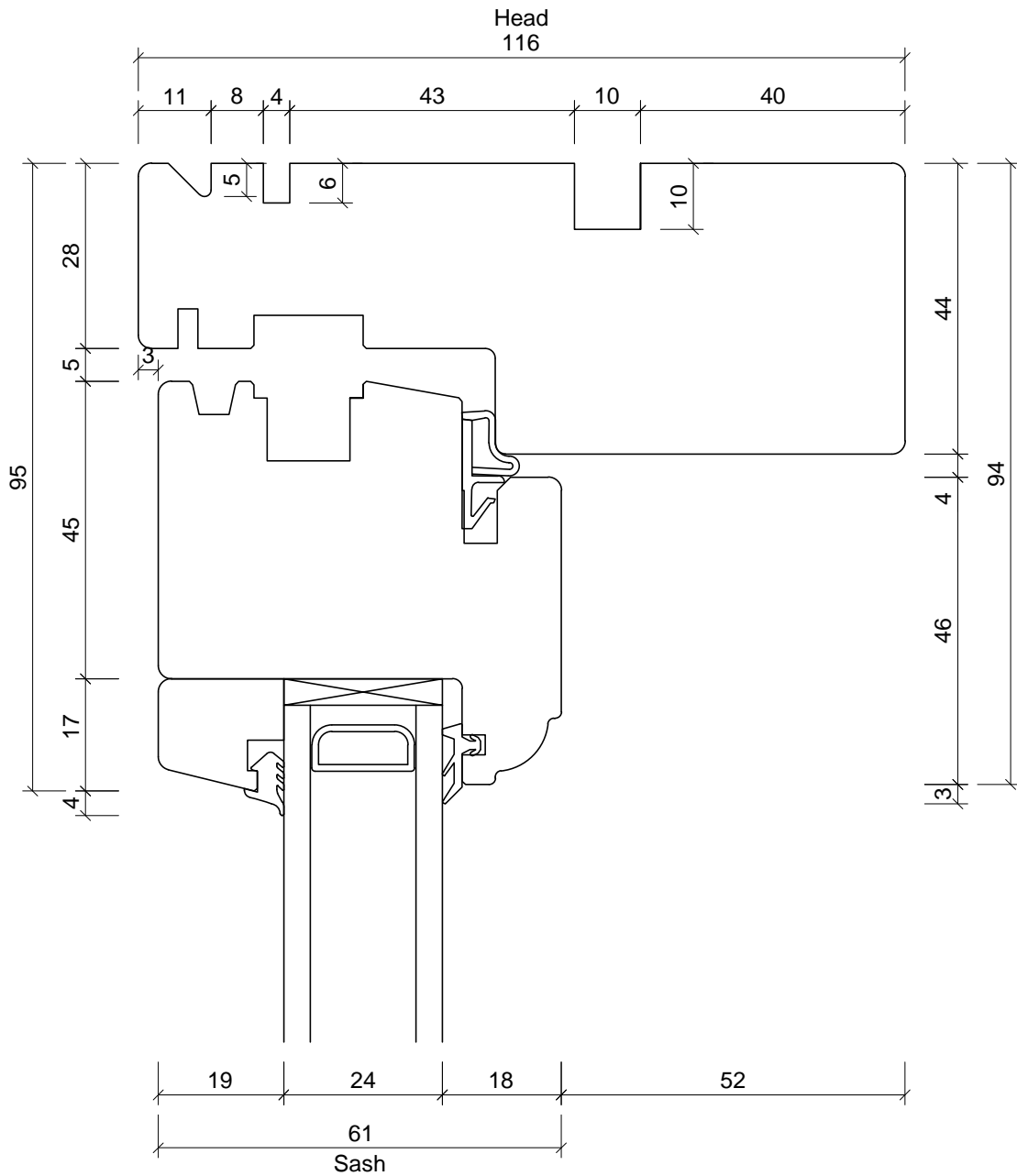
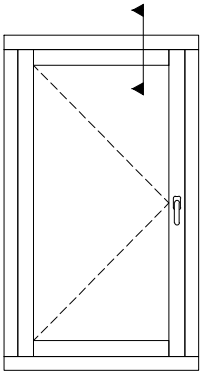


Unit 6
Ticehurst Yard
Tostock
Bury St Edmunds
Suffolk
IP30 9PH

Tel: 01359 272 646
sales@livingwoodwindows.co.uk
www.livingwoodwindows.co.uk

Unit Type:	LW12 Double Glazed Timber Flush Casement Window	Drawing No.:	LW12-102
		Date:	28/02/13
Drawing Title:	Section Through Jamb Opening Sash	Drawn By:	JSE
		Scale:	NTS

This drawing remains the property of Livingwood Windows Ltd and may not be reproduced without written permission. Livingwood Windows Ltd accepts no liability arising from any party acting on information contained within this drawing. It is advised that assistance is sought from Livingwood Windows Ltd regarding matters of an individual project.

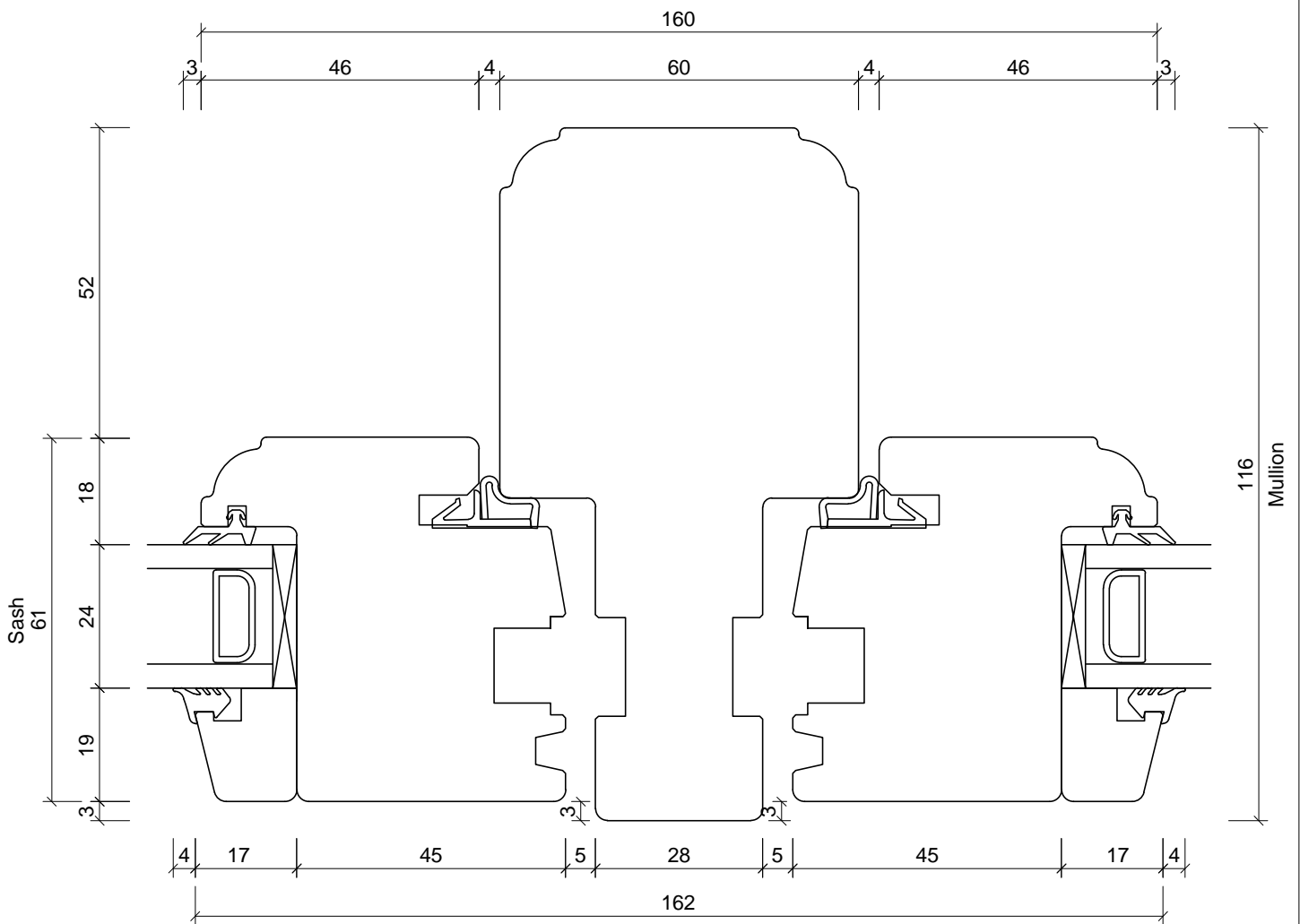
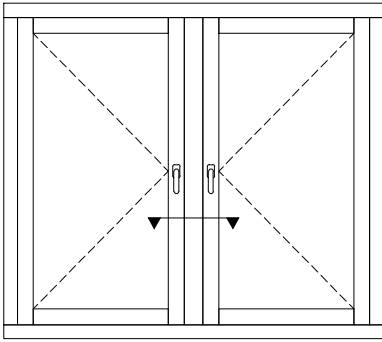


Unit 6
Ticehurst Yard
Tostock
Bury St Edmunds
Suffolk
IP30 9PH

Tel: 01359 272 646
sales@livingwoodwindows.co.uk
www.livingwoodwindows.co.uk

Unit Type:	LW12 Double Glazed Timber Flush Casement Window	Drawing No.:	LW12-103
		Date:	28/02/13
Drawing Title:	Section Through Head Opening Sash	Drawn By:	JSE
		Scale:	NTS

This drawing remains the property of Livingwood Windows Ltd and may not be reproduced without written permission. Livingwood Windows Ltd accepts no liability arising from any party acting on information contained within this drawing. It is advised that assistance is sought from Livingwood Windows Ltd regarding matters of an individual project.



Unit 6
Ticehurst Yard
Tostock
Bury St Edmunds
Suffolk
IP30 9PH

Tel: 01359 272 646
sales@livingwoodwindows.co.uk
www.livingwoodwindows.co.uk

Unit Type:
LW12
Double Glazed Timber
Flush Casement Window

Drawing Title:
Section Through Fixed Mullion
Opening Sash/Opening Sash

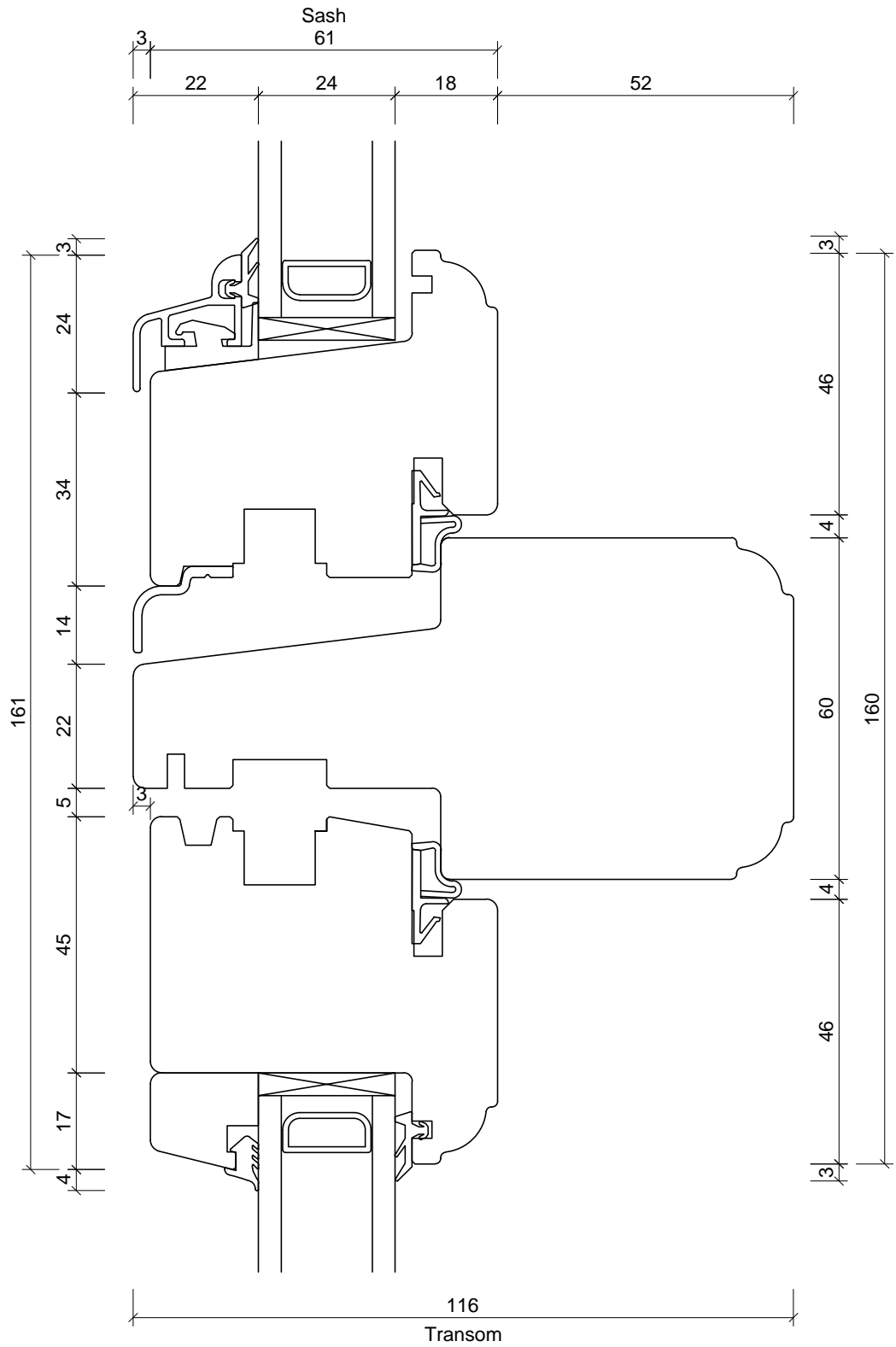
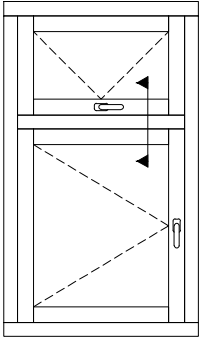
Drawing No.:
LW12-104

Date:
28/02/13

Drawn By:
JSE

Scale:
NTS

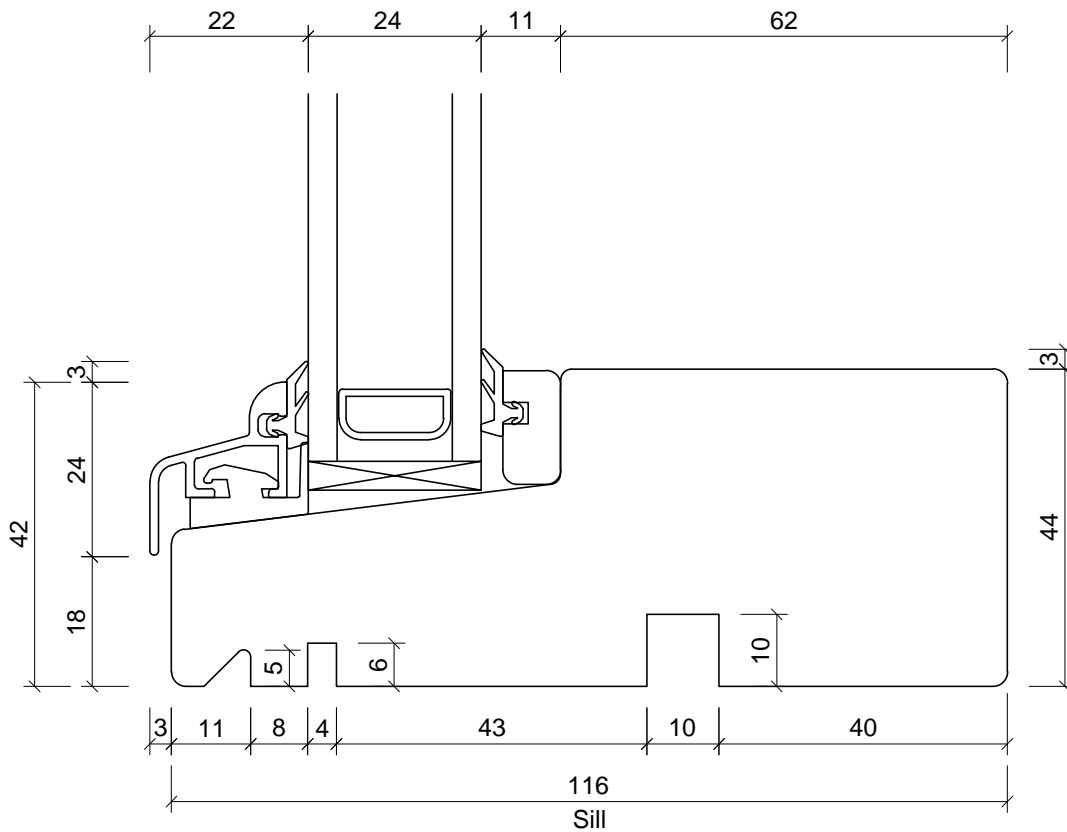
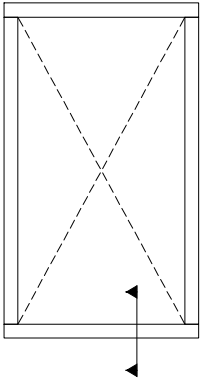
This drawing remains the property of Livingwood Windows Ltd and may not be reproduced without written permission. Livingwood Windows Ltd accepts no liability arising from any party acting on information contained within this drawing. It is advised that assistance is sought from Livingwood Windows Ltd regarding matters of an individual project.



Unit 6
Ticehurst Yard
Tostock
Bury St Edmunds
Suffolk
IP30 9PH

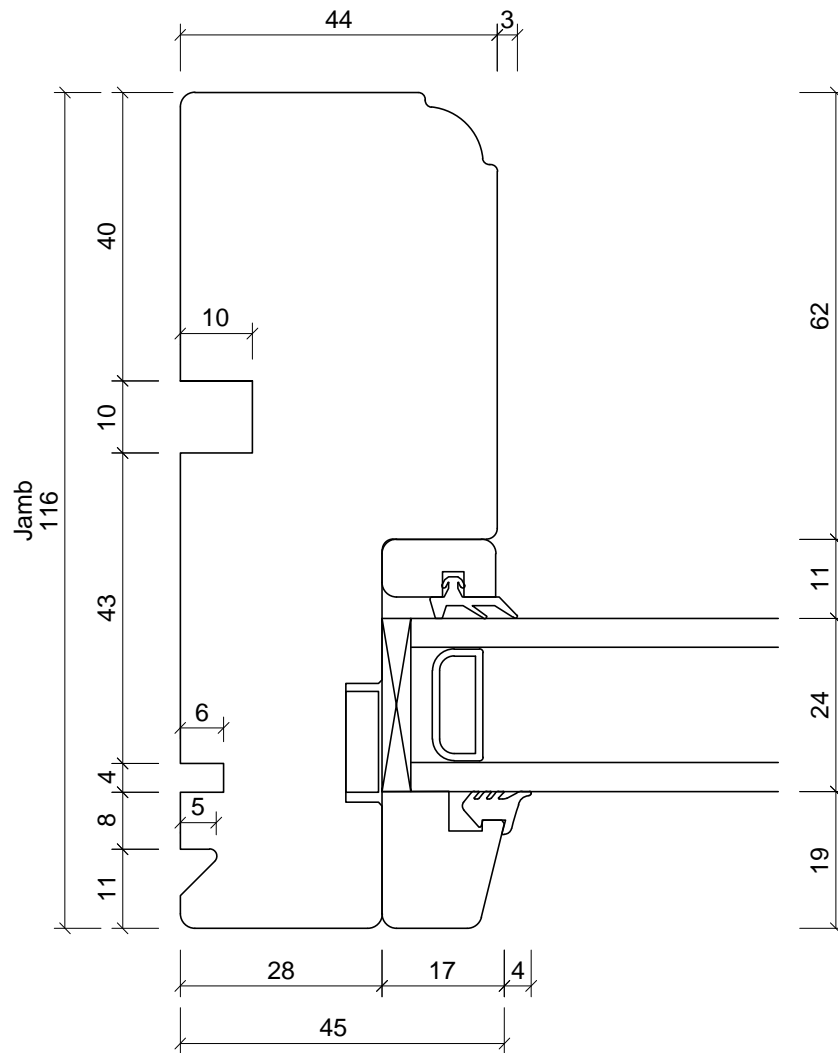
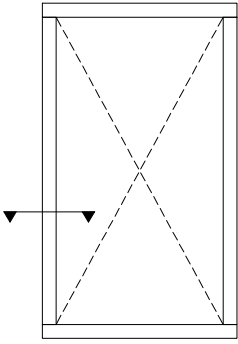
Tel: 01359 272 646
sales@livingwoodwindows.co.uk
www.livingwoodwindows.co.uk

Unit Type:	LW12 Double Glazed Timber Flush Casement Window	Drawing No.: LW12-105
		Date: 28/02/13
Drawing Title:	Section Through Transom Opening Sash/Opening Sash	Drawn By: JSE
		Scale: NTS
<small>This drawing remains the property of Livingwood Windows Ltd and may not be reproduced without written permission. Livingwood Windows Ltd accepts no liability arising from any party acting on information contained within this drawing. It is advised that assistance is sought from Livingwood Windows Ltd regarding matters of an individual project.</small>		



Unit 6
Ticehurst Yard
Tostock
Bury St Edmunds
Suffolk
IP30 9PH
Tel: 01359 272 646
sales@livingwoodwindows.co.uk
www.livingwoodwindows.co.uk

Unit Type:	LW12 Double Glazed Timber Flush Casement Window	Drawing No.:	LW12-106
		Date:	28/02/13
Drawing Title:	Section Through Sill Fixed Light	Drawn By:	JSE
		Scale:	NTS
<small>This drawing remains the property of Livingwood Windows Ltd and may not be reproduced without written permission. Livingwood Windows Ltd accepts no liability arising from any party acting on information contained within this drawing. It is advised that assistance is sought from Livingwood Windows Ltd regarding matters of an individual project.</small>			



Unit 6
Ticehurst Yard
Tostock
Bury St Edmunds
Suffolk
IP30 9PH

Tel: 01359 272 646
sales@livingwoodwindows.co.uk
www.livingwoodwindows.co.uk

Unit Type:
LW12
Double Glazed Timber
Flush Casement Window

Drawing Title:
Section Through Jamb
Fixed Light

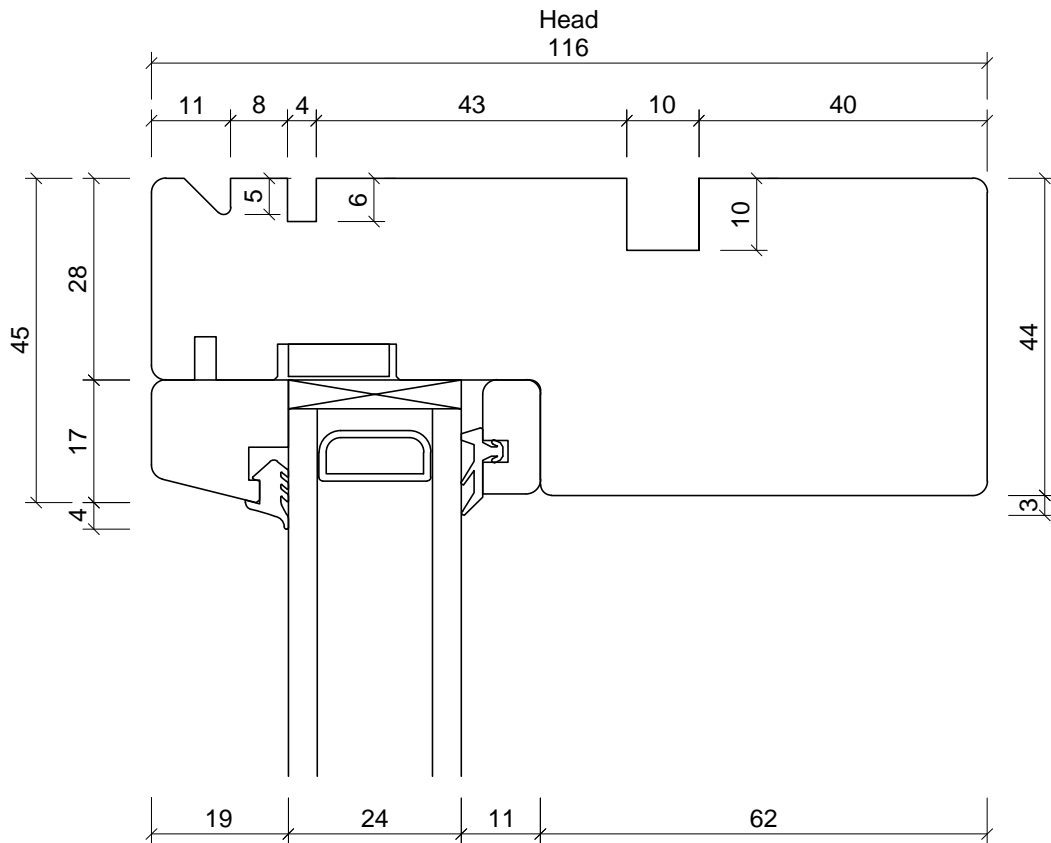
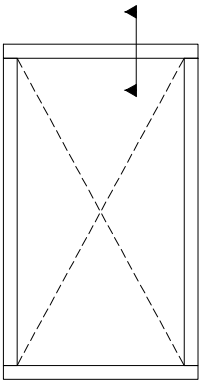
Drawing No.:
LW12-107

Date:
28/02/13

Drawn By:
JSE

Scale:
NTS

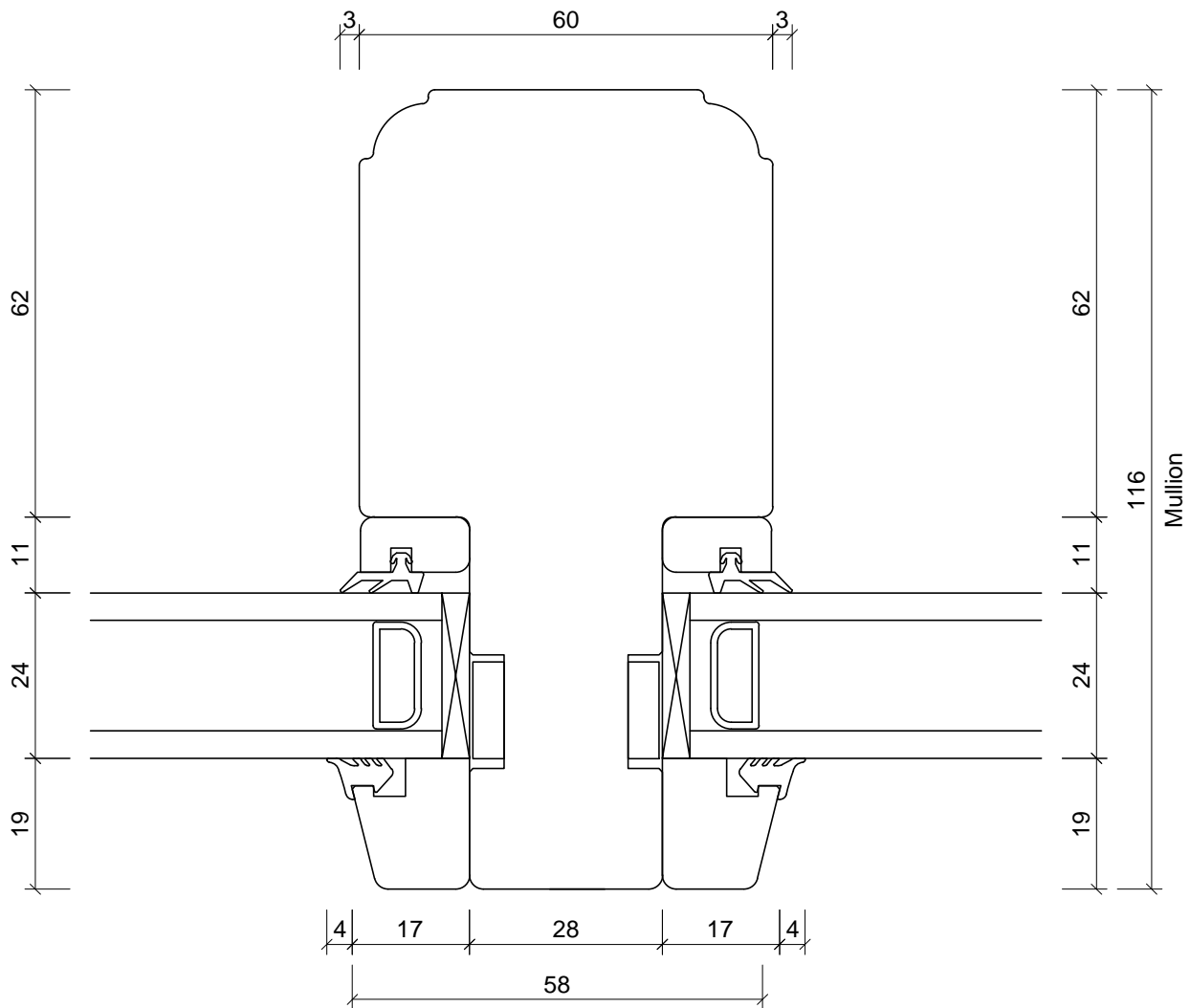
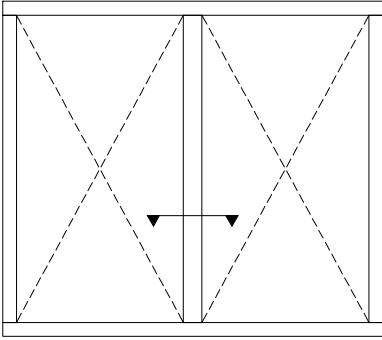
This drawing remains the property of Livingwood Windows Ltd and may not be reproduced without written permission. Livingwood Windows Ltd accepts no liability arising from any party acting on information contained within this drawing. It is advised that assistance is sought from Livingwood Windows Ltd regarding matters of an individual project.



Unit 6
Ticehurst Yard
Tostock
Bury St Edmunds
Suffolk
IP30 9PH

Tel: 01359 272 646
sales@livingwoodwindows.co.uk
www.livingwoodwindows.co.uk

Unit Type:	LW12 Double Glazed Timber Flush Casement Window	Drawing No.:	LW12-108
		Date:	28/02/13
Drawing Title:	Section Through Head Fixed Light	Drawn By:	JSE
		Scale:	NTS
<small>This drawing remains the property of Livingwood Windows Ltd and may not be reproduced without written permission. Livingwood Windows Ltd accepts no liability arising from any party acting on information contained within this drawing. It is advised that assistance is sought from Livingwood Windows Ltd regarding matters of an individual project.</small>			



Unit 6
 Ticehurst Yard
 Tostock
 Bury St Edmunds
 Suffolk
 IP30 9PH

Tel: 01359 272 646
 sales@livingwoodwindows.co.uk
 www.livingwoodwindows.co.uk

Unit Type:
LW12
 Double Glazed Timber
 Flush Casement Window

Drawing Title:
Section Through Mullion
 Fixed Light/Fixed Light

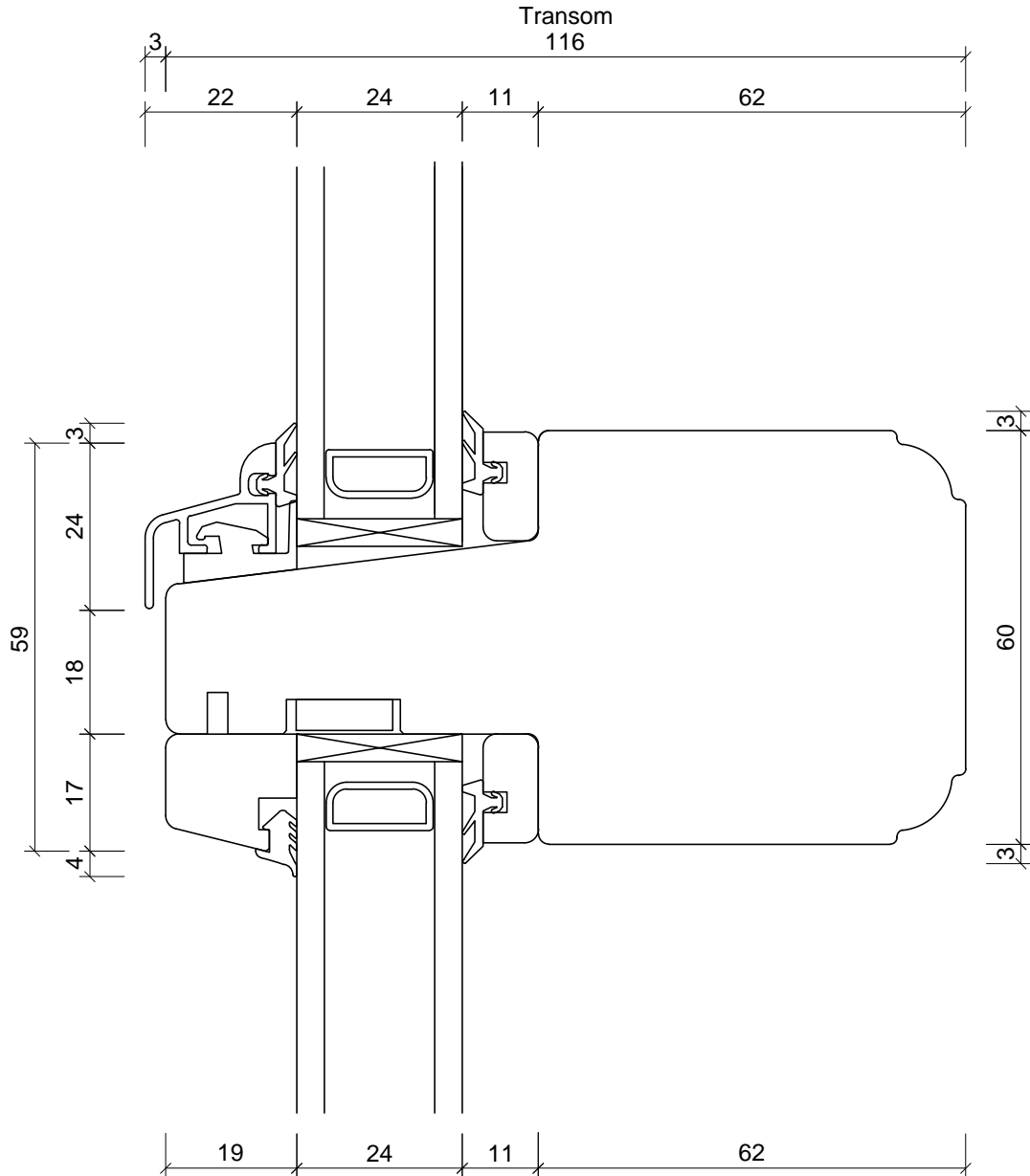
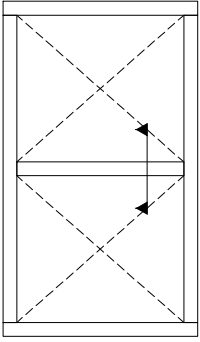
Drawing No.:
LW12-109

Date:
28/02/13

Drawn By:
JSE

Scale:
NTS

This drawing remains the property of Livingwood Windows Ltd and may not be reproduced without written permission. Livingwood Windows Ltd accepts no liability arising from any party acting on information contained within this drawing. It is advised that assistance is sought from Livingwood Windows Ltd regarding matters of an individual project.



Unit 6
Ticehurst Yard
Tostock
Bury St Edmunds
Suffolk
IP30 9PH

Tel: 01359 272 646
sales@livingwoodwindows.co.uk
www.livingwoodwindows.co.uk

Unit Type:
LW12
Double Glazed Timber
Flush Casement Window

Drawing Title:
Section Through Transom
Fixed Light/Fixed Light

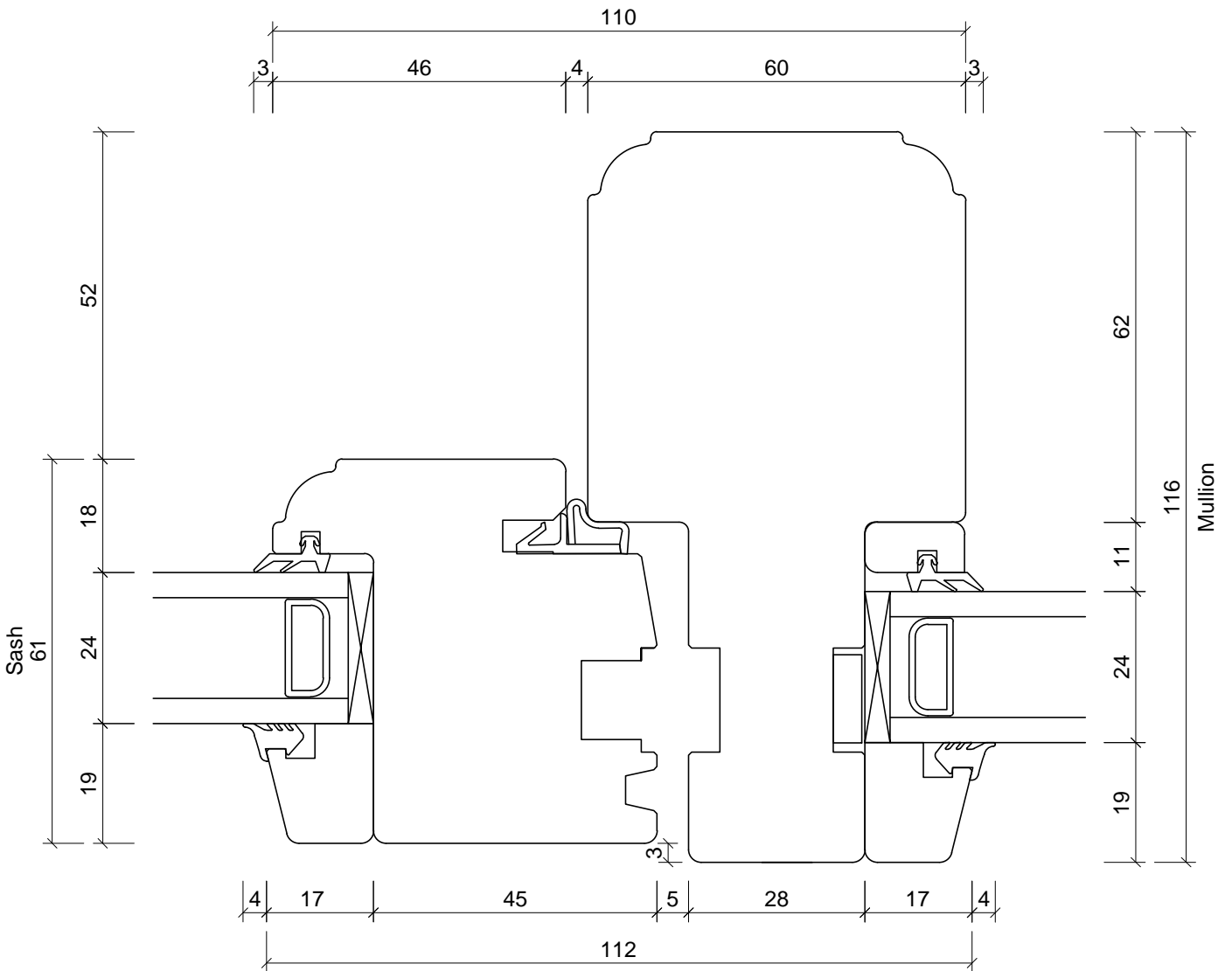
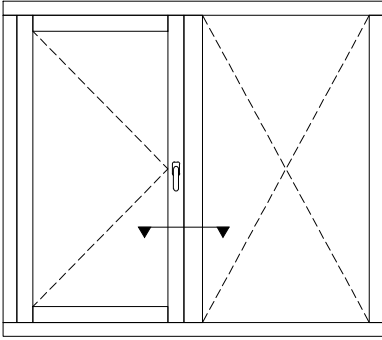
Drawing No.:
LW12-110

Date:
28/02/13

Drawn By:
JSE

Scale:
NTS

This drawing remains the property of Livingwood Windows Ltd and may not be reproduced without written permission. Livingwood Windows Ltd accepts no liability arising from any party acting on information contained within this drawing. It is advised that assistance is sought from Livingwood Windows Ltd regarding matters of an individual project.



Unit 6
Ticehurst Yard
Tostock
Bury St Edmunds
Suffolk
IP30 9PH

Tel: 01359 272 646
sales@livingwoodwindows.co.uk
www.livingwoodwindows.co.uk

Unit Type:
LW12
Double Glazed Timber
Flush Casement Window

Drawing Title:
Section Through Mullion
Opening Sash/Fixed Light

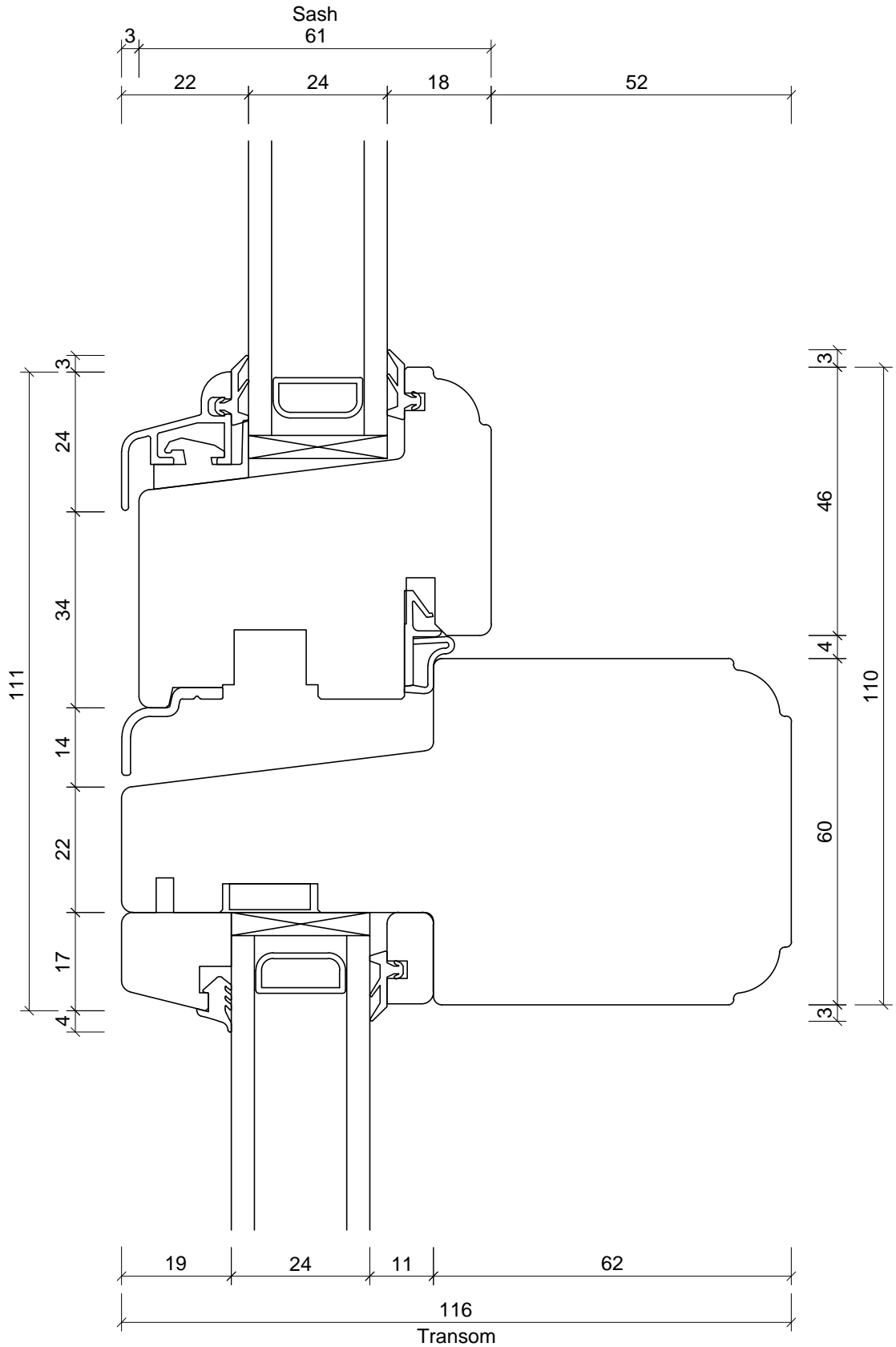
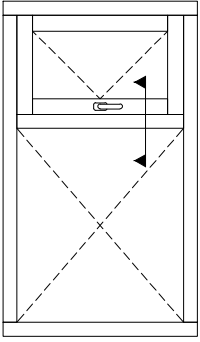
Drawing No.:
LW12-111

Date:
28/02/13

Drawn By:
JSE

Scale:
NTS

This drawing remains the property of Livingwood Windows Ltd and may not be reproduced without written permission. Livingwood Windows Ltd accepts no liability arising from any party acting on information contained within this drawing. It is advised that assistance is sought from Livingwood Windows Ltd regarding matters of an individual project.

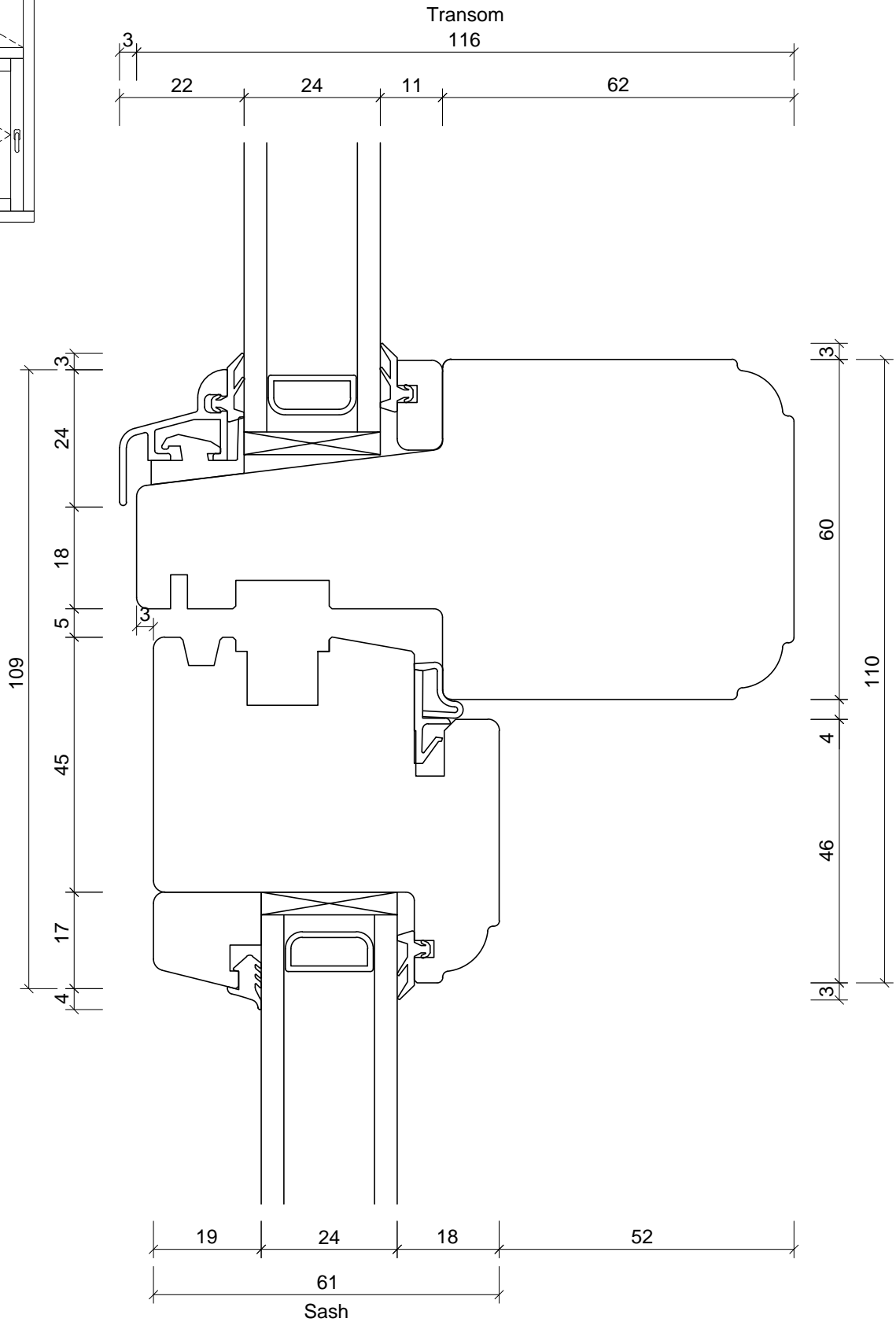
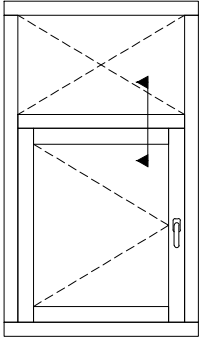


Unit 6
Ticehurst Yard
Tostock
Bury St Edmunds
Suffolk
IP30 9PH

Tel: 01359 272 646
sales@livingwoodwindows.co.uk
www.livingwoodwindows.co.uk

Unit Type:	LW12 Double Glazed Timber Flush Casement Window	Drawing No.: LW12-112
		Date: 28/02/13
Drawing Title:	Section Through Transom Opening Sash/Fixed Light	Drawn By: JSE
		Scale: NTS

This drawing remains the property of Livingwood Windows Ltd and may not be reproduced without written permission. Livingwood Windows Ltd accepts no liability arising from any party acting on information contained within this drawing. It is advised that assistance is sought from Livingwood Windows Ltd regarding matters of an individual project.



Unit 6
Ticehurst Yard
Tostock
Bury St Edmunds
Suffolk
IP30 9PH

Tel: 01359 272 646
sales@livingwoodwindows.co.uk
www.livingwoodwindows.co.uk

Unit Type:
LW12
Double Glazed Timber
Flush Casement Window

Drawing Title:
Section Through Transom
Fixed Light/Opening Sash

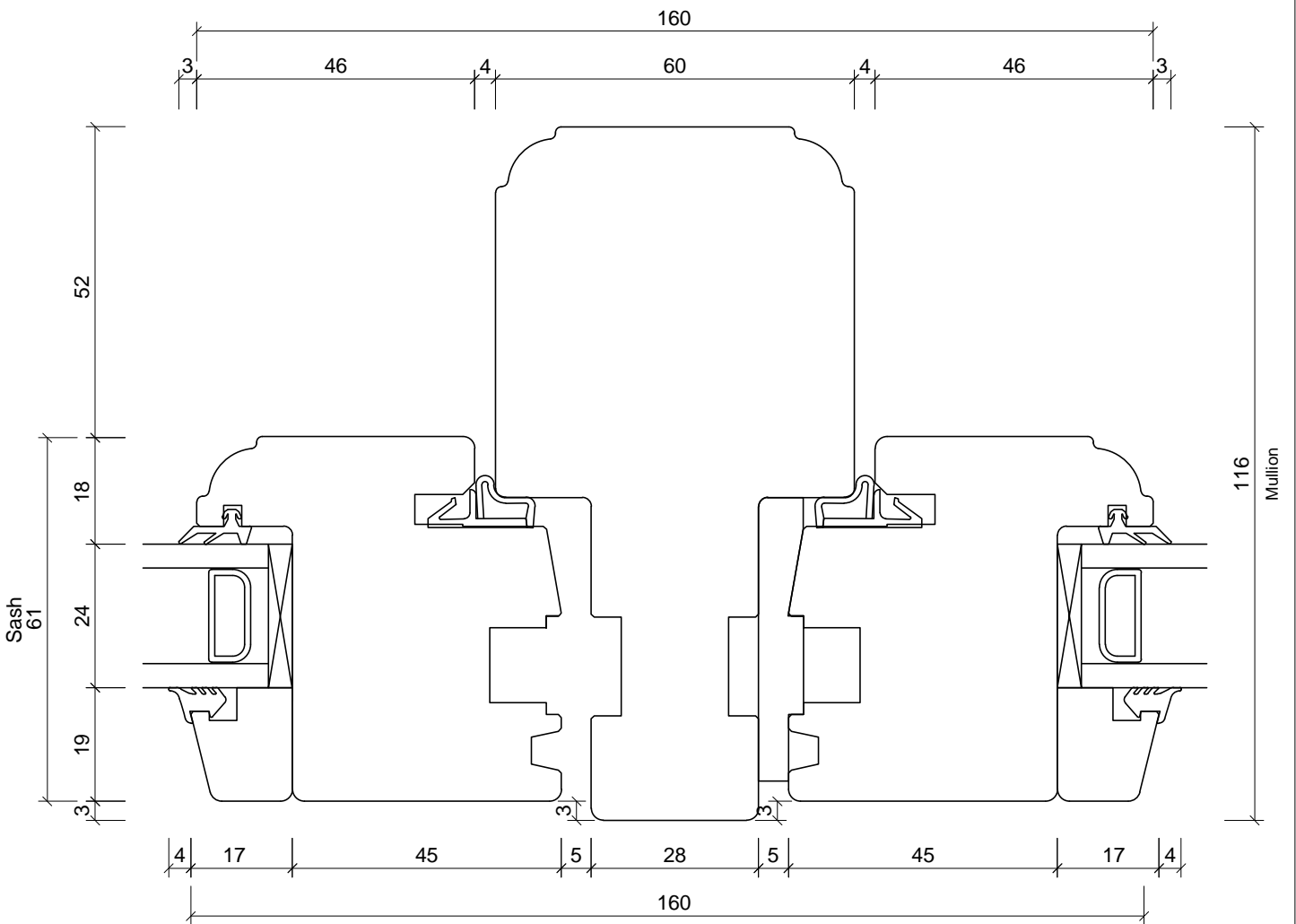
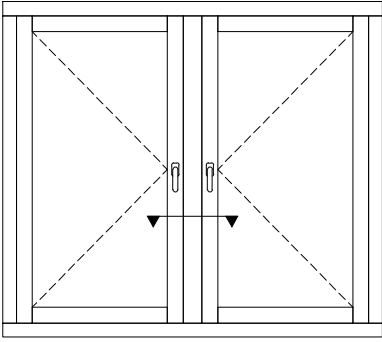
Drawing No.:
LW12-113

Date:
28/02/13

Drawn By:
JSE

Scale:
NTS

This drawing remains the property of Livingwood Windows Ltd and may not be reproduced without written permission. Livingwood Windows Ltd accepts no liability arising from any party acting on information contained within this drawing. It is advised that assistance is sought from Livingwood Windows Ltd regarding matters of an individual project.



Unit 6
Ticehurst Yard
Tostock
Bury St Edmunds
Suffolk
IP30 9PH

Tel: 01359 272 646
sales@livingwoodwindows.co.uk
www.livingwoodwindows.co.uk

Unit Type:
LW12
Double Glazed Timber
Flush Casement Window

Drawing Title:
Section Through Flying Mullion
Primary Sash/Secondary Sash

Drawing No.:
LW12-114

Date:
28/02/13

Drawn By:
JSE

Scale:
NTS

This drawing remains the property of Livingwood Windows Ltd and may not be reproduced without written permission. Livingwood Windows Ltd accepts no liability arising from any party acting on information contained within this drawing. It is advised that assistance is sought from Livingwood Windows Ltd regarding matters of an individual project.