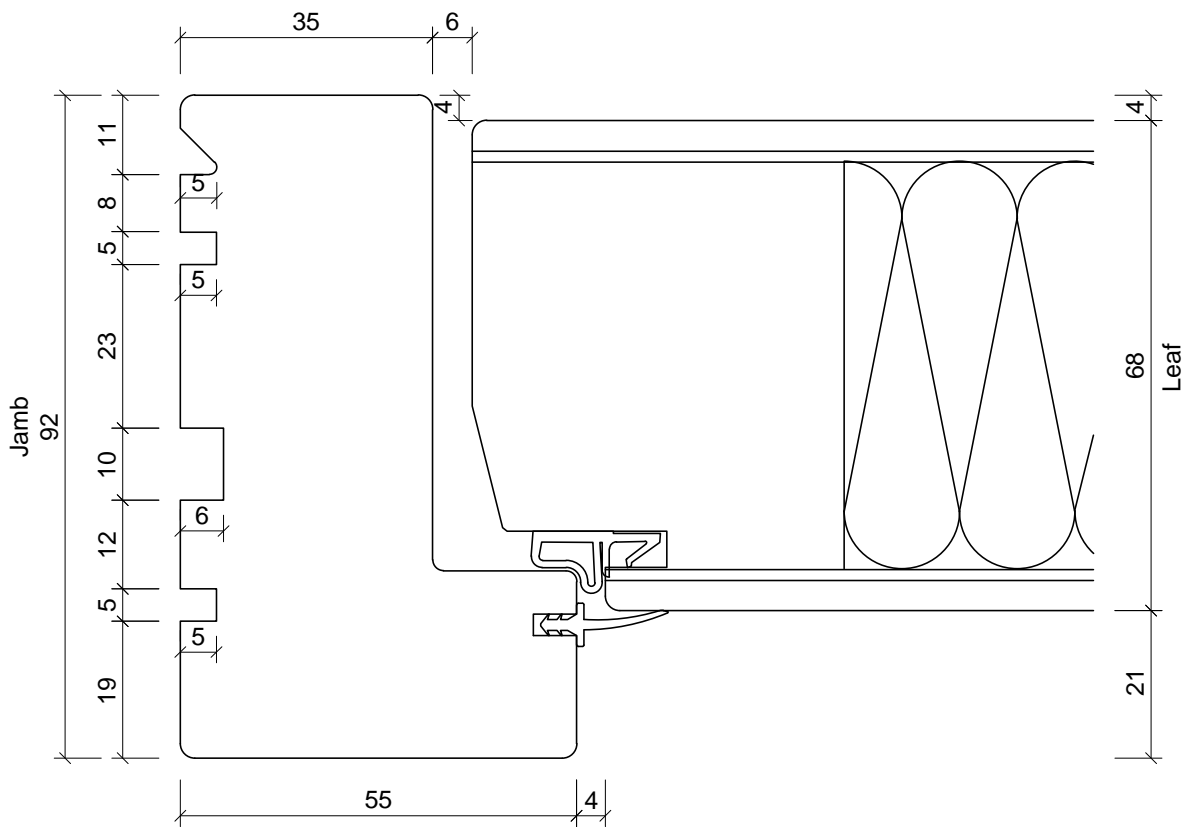
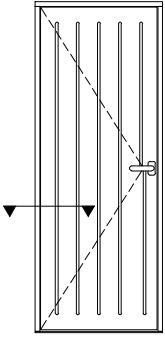


Unit 6  
Ticehurst Yard  
Tostock  
Bury St Edmunds  
Suffolk  
IP30 9PH

Tel: 01359 272 646  
sales@livingwoodwindows.co.uk  
www.livingwoodwindows.co.uk

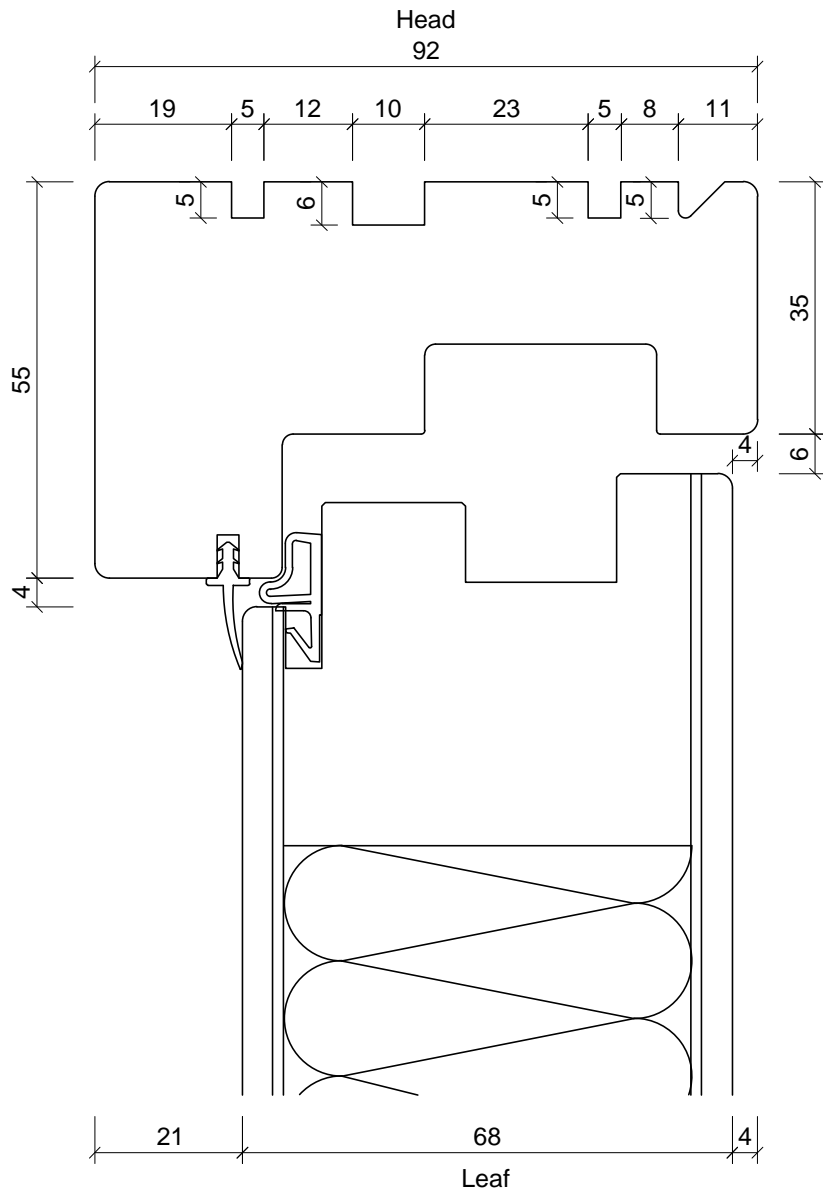
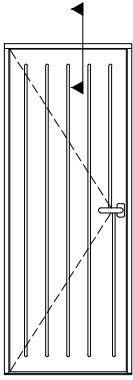
Unit Type:	68mm Insulated Timber Panel Entrance Door	Drawing No.:	PD68-101
		Date:	28/02/13
Drawing Title:	Section Through Threshold Inward Opening	Drawn By:	JSE
		Scale:	NTS
<small>This drawing remains the property of Livingwood Windows Ltd and may not be reproduced without written permission. Livingwood Windows Ltd accepts no liability arising from any party acting on information contained within this drawing. It is advised that assistance is sought from Livingwood Windows Ltd regarding matters of an individual project.</small>			



Unit 6  
Ticehurst Yard  
Tostock  
Bury St Edmunds  
Suffolk  
IP30 9PH

Tel: 01359 272 646  
sales@livingwoodwindows.co.uk  
www.livingwoodwindows.co.uk

Unit Type:	68mm Insulated Timber Panel Entrance Door	Drawing No.:	PD68-102
		Date:	28/02/13
Drawing Title:	Section Through Jamb Inward Opening	Drawn By:	JSE
		Scale:	NTS
<small>This drawing remains the property of Livingwood Windows Ltd and may not be reproduced without written permission. Livingwood Windows Ltd accepts no liability arising from any party acting on information contained within this drawing. It is advised that assistance is sought from Livingwood Windows Ltd regarding matters of an individual project.</small>			



Unit 6  
Ticehurst Yard  
Tostock  
Bury St Edmunds  
Suffolk  
IP30 9PH

Tel: 01359 272 646  
sales@livingwoodwindows.co.uk  
www.livingwoodwindows.co.uk

Unit Type:  
68mm Insulated Timber Panel  
Entrance Door

Drawing Title:  
Section Through Head  
Inward Opening

Drawing No.:  
PD68-103

Date:  
28/02/13

Drawn By:  
JSE

Scale:  
NTS

This drawing remains the property of Livingwood Windows Ltd and may not be reproduced without written permission. Livingwood Windows Ltd accepts no liability arising from any party acting on information contained within this drawing. It is advised that assistance is sought from Livingwood Windows Ltd regarding matters of an individual project.