

Studio 5
Old School Studios
140 Eastgate Street
Bury St Edmunds
Suffolk
IP33 1XX
Tel: 01284 705 468
sales@livingwoodwindows.co.uk
www.livingwoodwindows.co.uk

Drawing No.:
V-3TFC101

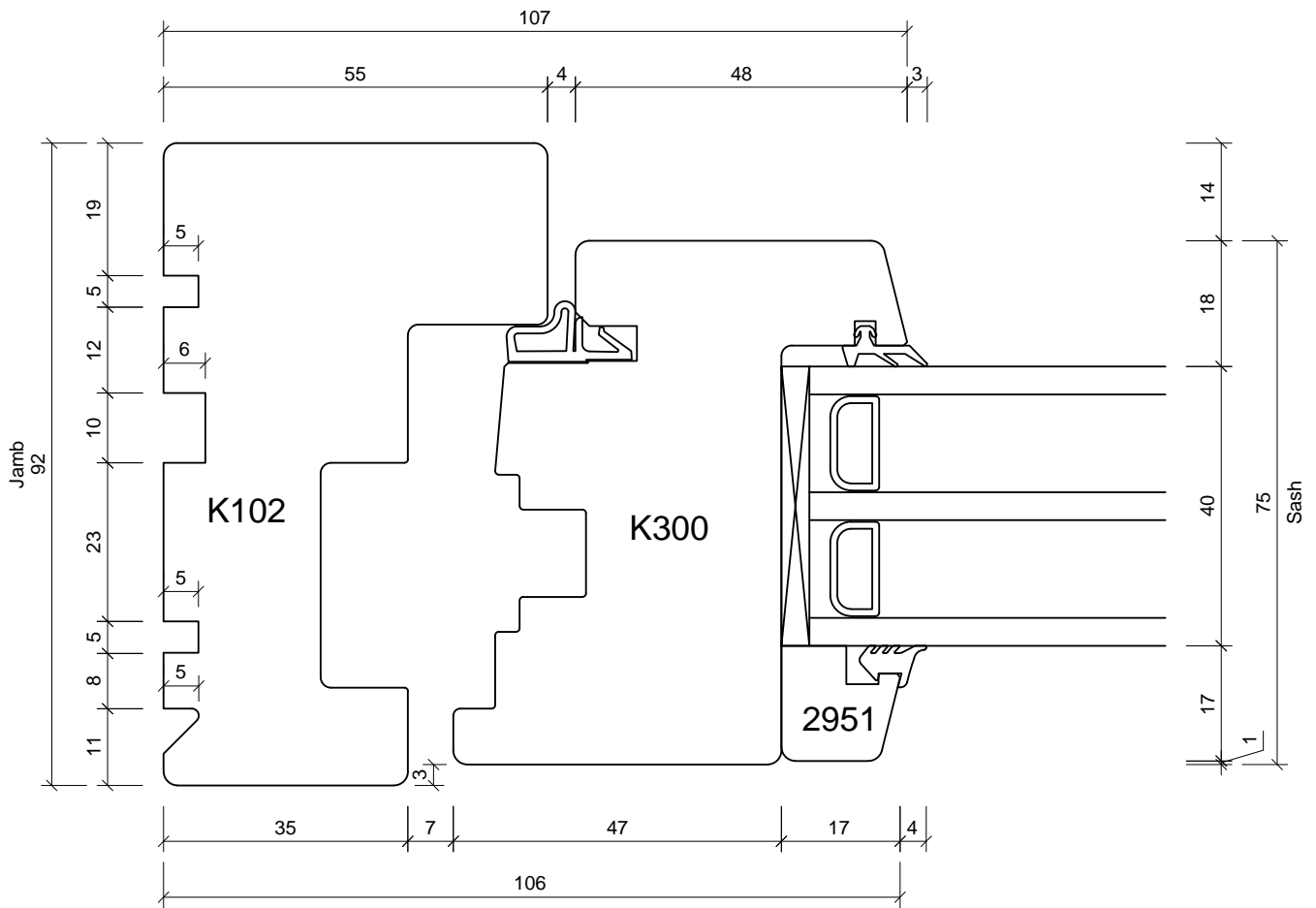
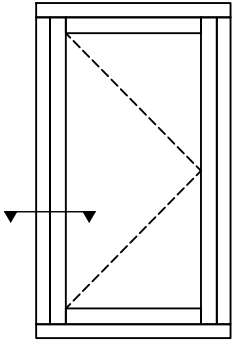
Date:
06.09.11

Drawing Title:
3k Timber Flush Casement
Section Through Sill
Opening Sash

Drawn By:
JSE

Scale:
NTS

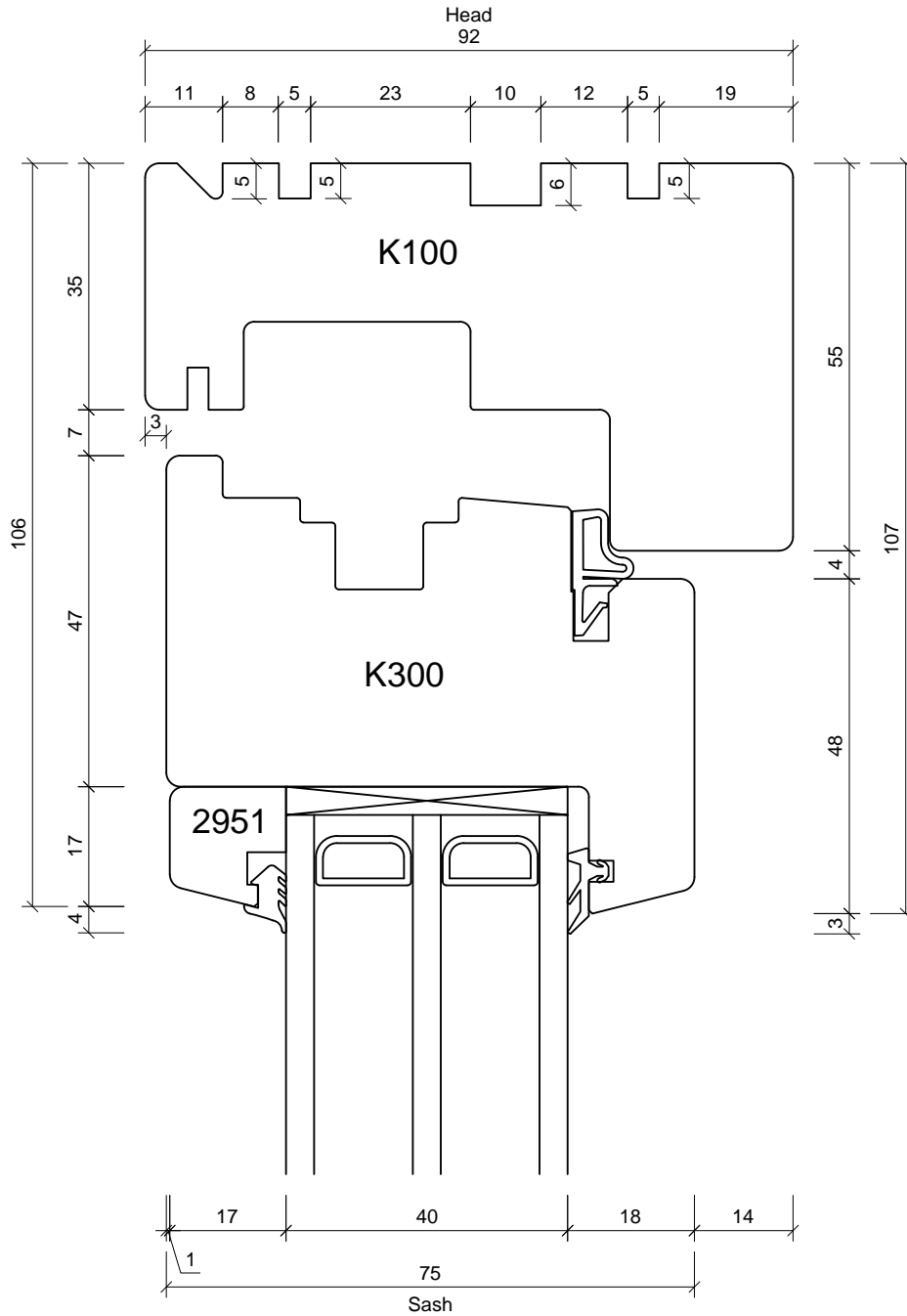
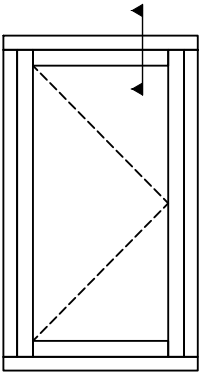
This drawing remains the property of Livingwood Windows Ltd and may not be reproduced without written permission. Livingwood Windows Ltd accepts no liability arising from any party acting on information contained within this drawing. It is advised that assistance is sought from Livingwood windows Ltd regarding matters of an individual project.



Studio 5
 Old School Studios
 140 Eastgate Street
 Bury St Edmunds
 Suffolk
 IP33 1XX
 Tel: 01284 705 468
 sales@livingwoodwindows.co.uk
 www.livingwoodwindows.co.uk

Drawing No.: V-3TFC102	Date: 06.09.11
Drawing Title: 3k Timber Flush Casement Section Through Jamb Opening Sash	Drawn By: JSE
	Scale: NTS

This drawing remains the property of Livingwood Windows Ltd and may not be reproduced without written permission. Livingwood Windows Ltd accepts no liability arising from any party acting on information contained within this drawing. It is advised that assistance is sought from Livingwood windows Ltd regarding matters of an individual project.



Studio 5
 Old School Studios
 140 Eastgate Street
 Bury St Edmunds
 Suffolk
 IP33 1XX
 Tel: 01284 705 468
 sales@livingwoodwindows.co.uk
 www.livingwoodwindows.co.uk

Drawing No.:
 V-3TFC103

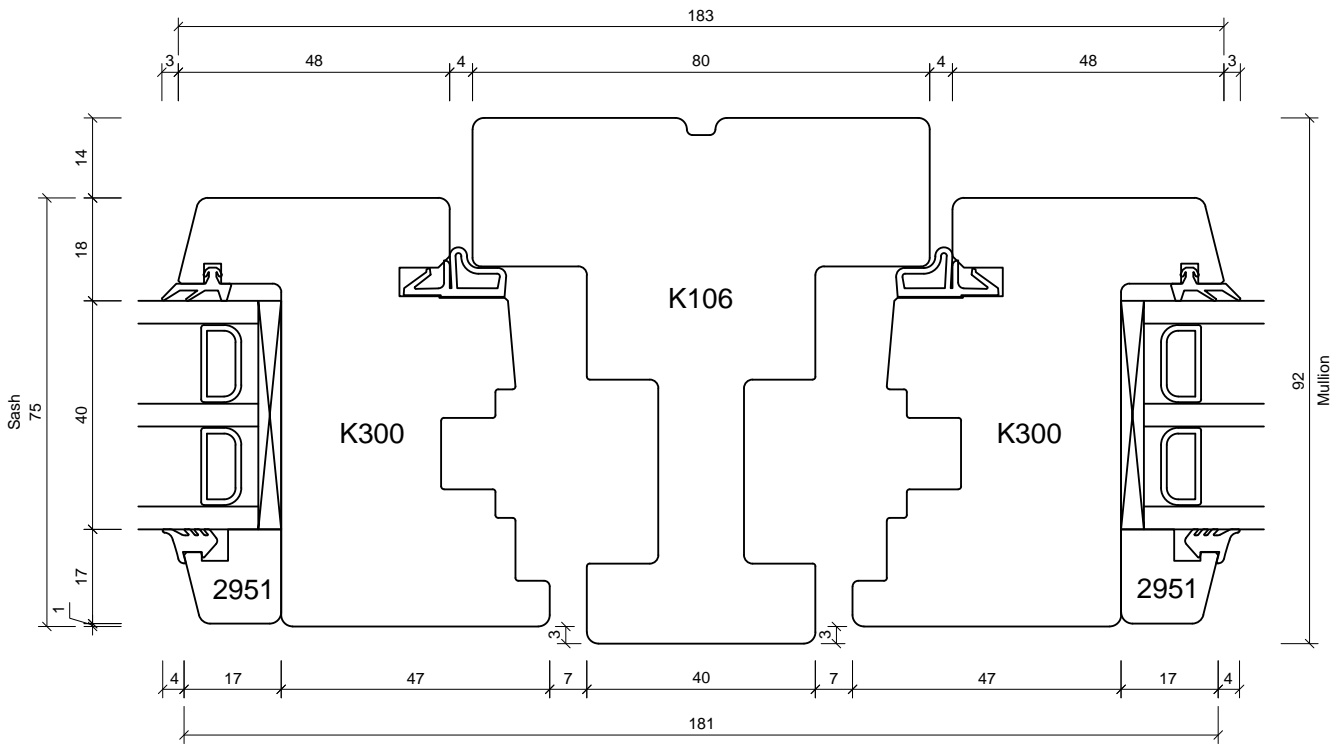
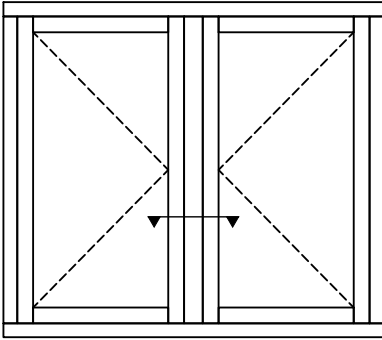
Date:
 06.09.11

Drawing Title:
 3k Timber Flush Casement
 Section Through Head
 Opening Sash

Drawn By:
 JSE

Scale:
 NTS

This drawing remains the property of Livingwood Windows Ltd and may not be reproduced without written permission.
 Livingwood Windows Ltd accepts no liability arising from any party acting on information contained within this drawing.
 It is advised that assistance is sought from Livingwood windows Ltd regarding matters of an individual project.



NOTE 100

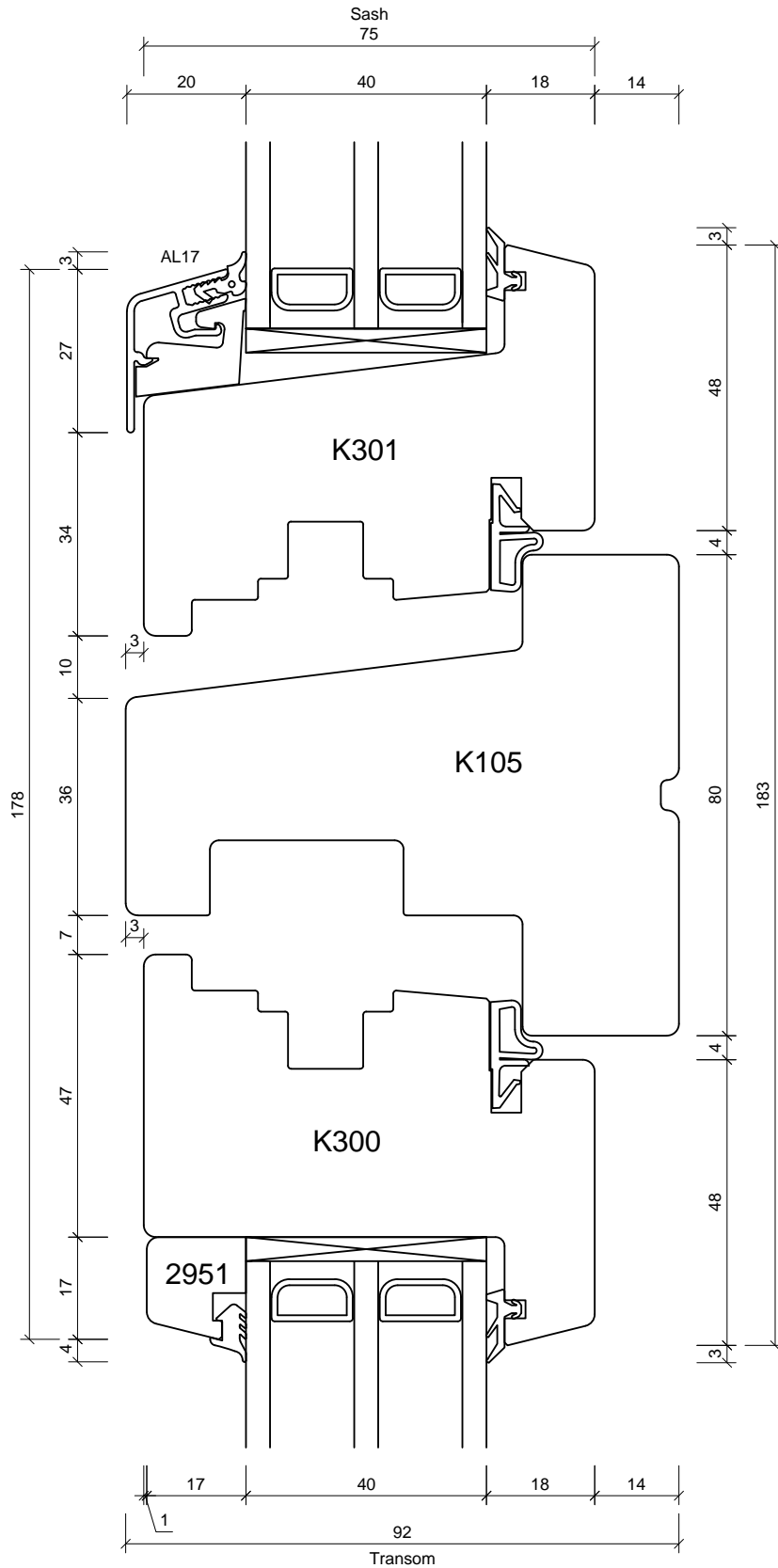
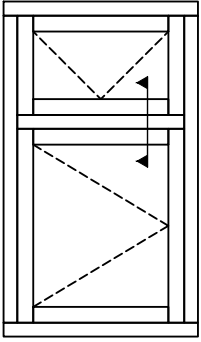
NOTE



livingwood
windows Ltd

Studio 5
Old School Studios
140 Eastgate Street
Bury St Edmunds
Suffolk
IP33 1XX
Tel: 01284 705 468
sales@livingwoodwindows.co.uk
www.livingwoodwindows.co.uk

Drawing No.: V-3TFC104	Date: 06.09.11
Drawing Title: 3k Timber Flush Casement Section Through Mullion Opening Sash/Opening Sash	Drawn By: JSE
	Scale: NTS
<small>This drawing remains the property of Livingwood Windows Ltd and may not be reproduced without written permission. Livingwood Windows Ltd accepts no liability arising from any party acting on information contained within this drawing. It is advised that assistance is sought from Livingwood windows Ltd regarding matters of an individual project.</small>	



Studio 5
 Old School Studios
 140 Eastgate Street
 Bury St Edmunds
 Suffolk
 IP33 1XX
 Tel: 01284 705 468
 sales@livingwoodwindows.co.uk
 www.livingwoodwindows.co.uk

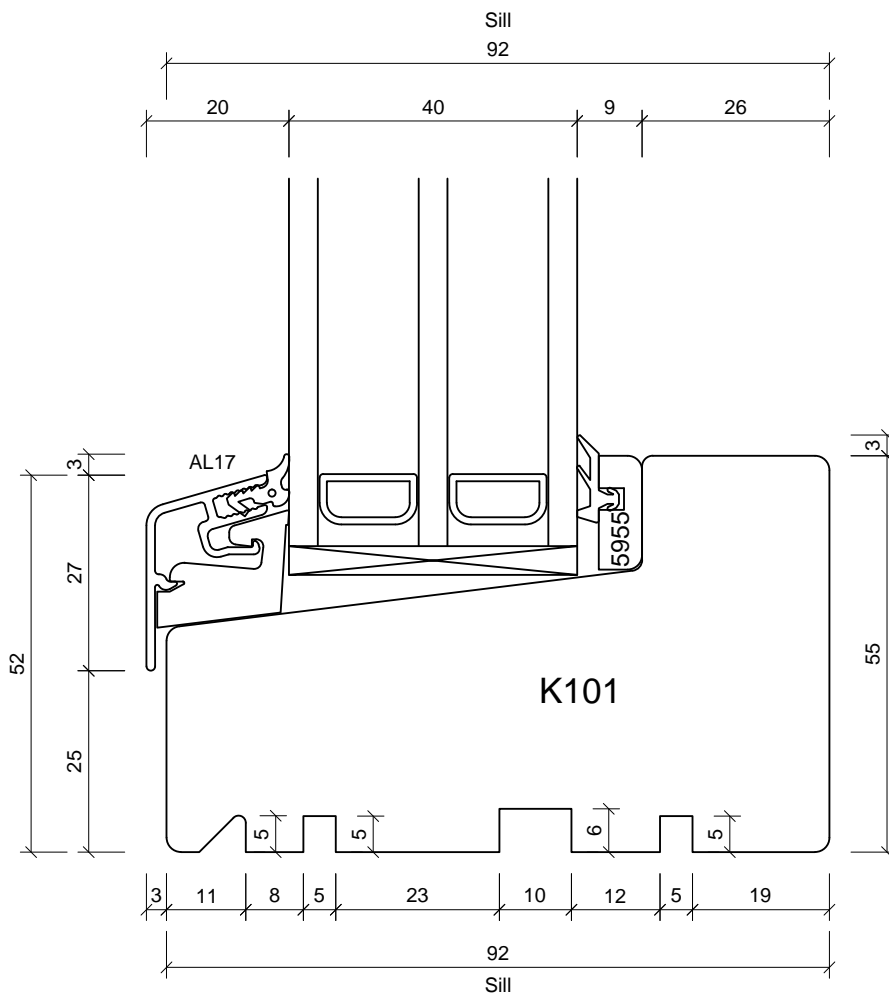
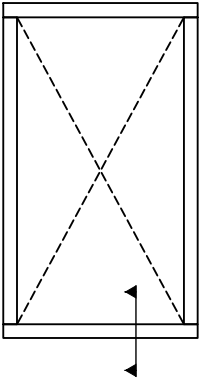
Drawing No.:
 V-3TFC105

Date:
 06.09.11

Drawing Title:
 3k Timber Flush Casement
 Section Through Transom
 Opening Sash/Opening Sash

Drawn By:
 JSE
 Scale:
 NTS

This drawing remains the property of Livingwood Windows Ltd and may not be reproduced without written permission.
 Livingwood Windows Ltd accepts no liability arising from any party acting on information contained within this drawing.
 It is advised that assistance is sought from Livingwood windows Ltd regarding matters of an individual project.



Studio 5
Old School Studios
140 Eastgate Street
Bury St Edmunds
Suffolk
IP33 1XX
Tel: 01284 705 468
sales@livingwoodwindows.co.uk
www.livingwoodwindows.co.uk

Drawing No.:
V-3TFC106

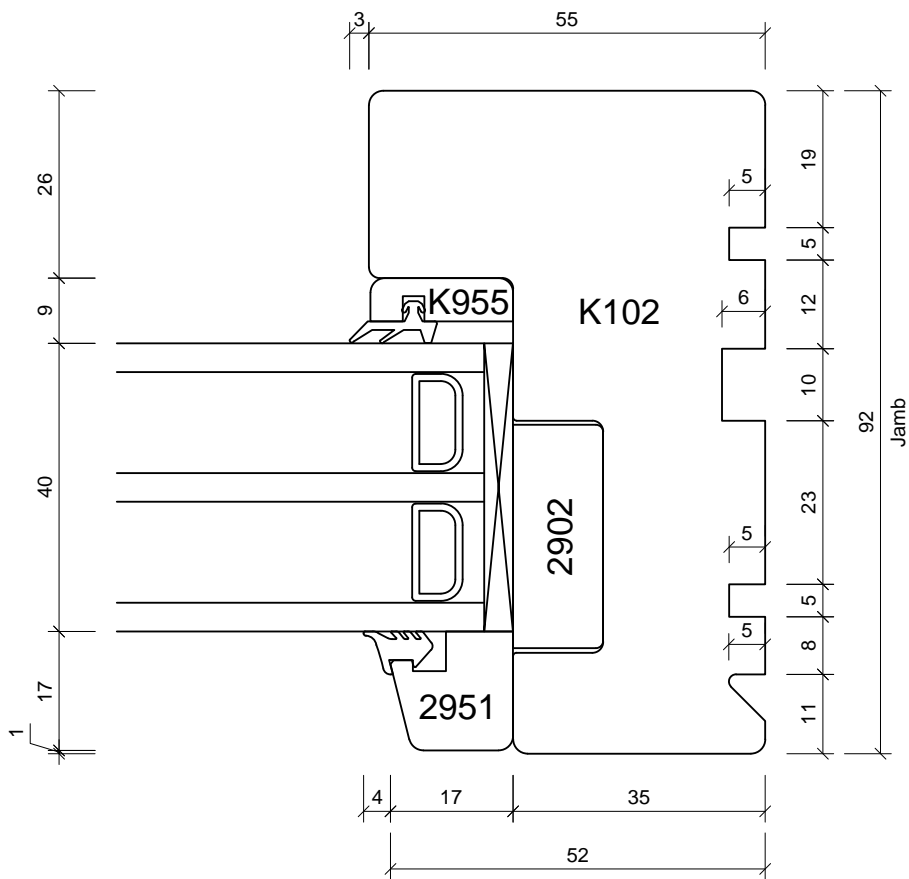
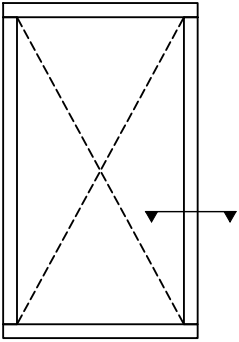
Date:
06.09.11

Drawing Title:
3k Timber Flush Casement
Section Through Sill
Fixed Light

Drawn By:
JSE

Scale:
NTS

This drawing remains the property of Livingwood Windows Ltd and may not be reproduced without written permission. Livingwood Windows Ltd accepts no liability arising from any party acting on information contained within this drawing. It is advised that assistance is sought from Livingwood windows Ltd regarding matters of an individual project.



Studio 5
 Old School Studios
 140 Eastgate Street
 Bury St Edmunds
 Suffolk
 IP33 1XX
 Tel: 01284 705 468
 sales@livingwoodwindows.co.uk
 www.livingwoodwindows.co.uk

Drawing No.:
 V-3TFC107

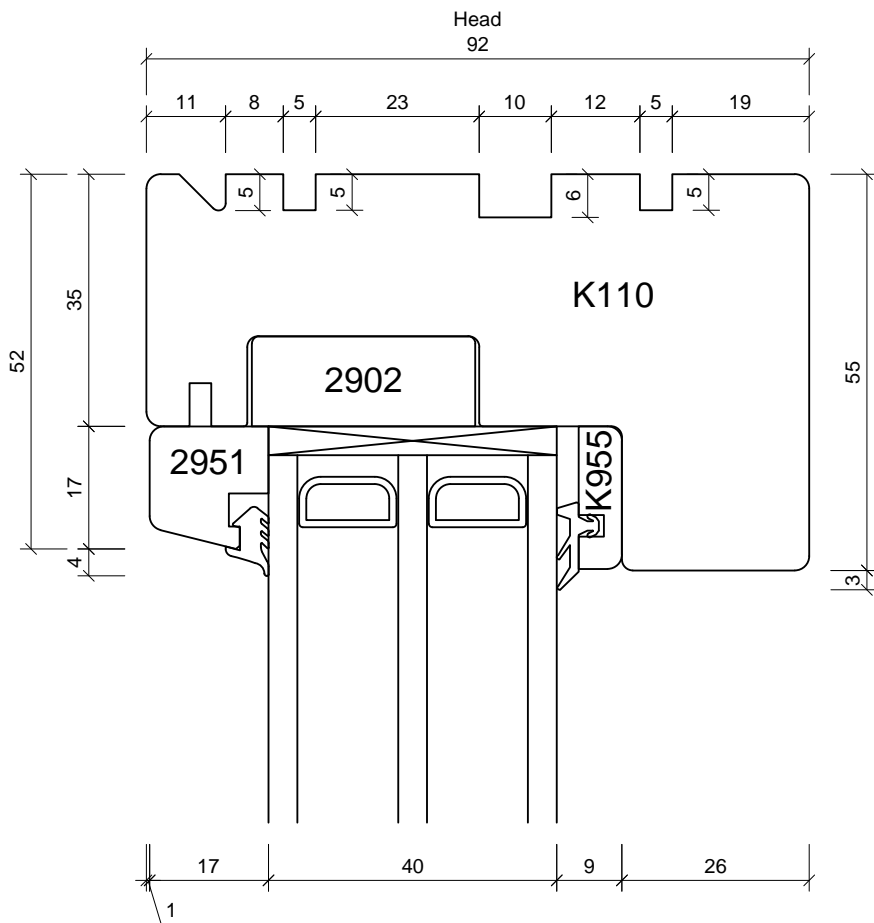
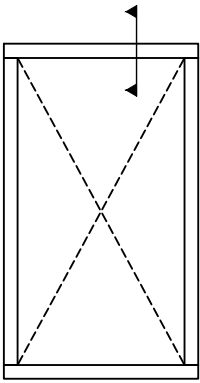
Date:
 06.09.11

Drawing Title:
 3k Timber Flush Casement
 Section Through Jamb
 Fixed Light

Drawn By:
 JSE

Scale:
 NTS

This drawing remains the property of Livingwood Windows Ltd and may not be reproduced without written permission.
 Livingwood Windows Ltd accepts no liability arising from any party acting on information contained within this drawing.
 It is advised that assistance is sought from Livingwood windows Ltd regarding matters of an individual project.



Studio 5
Old School Studios
140 Eastgate Street
Bury St Edmunds
Suffolk
IP33 1XX
Tel: 01284 705 468
sales@livingwoodwindows.co.uk
www.livingwoodwindows.co.uk

Drawing No.:
V-3TFC108

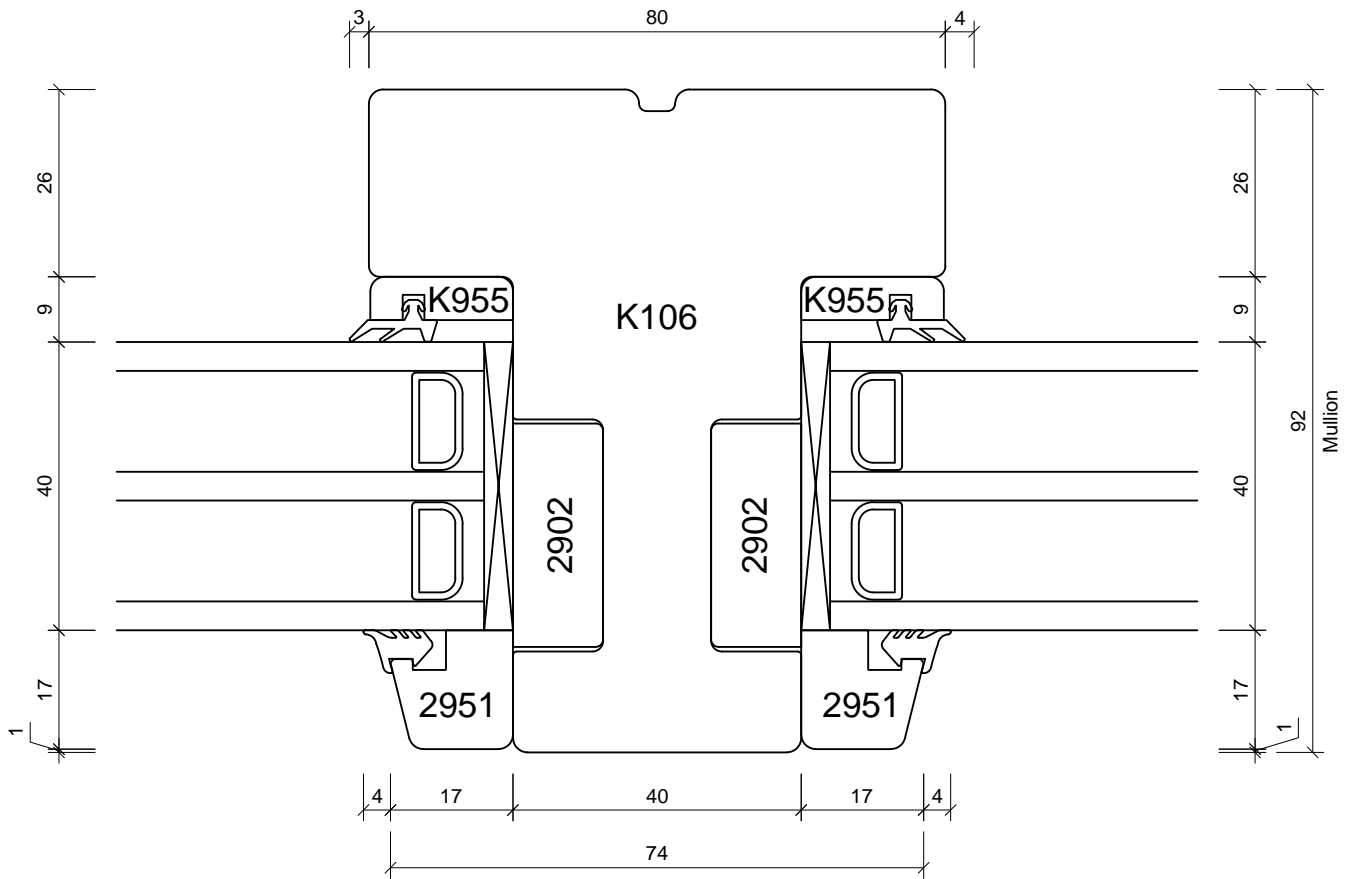
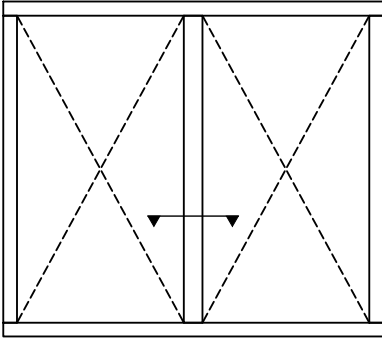
Date:
06.09.11

Drawing Title:
3k Timber Flush Casement
Section Through Head
Fixed Light

Drawn By:
JSE

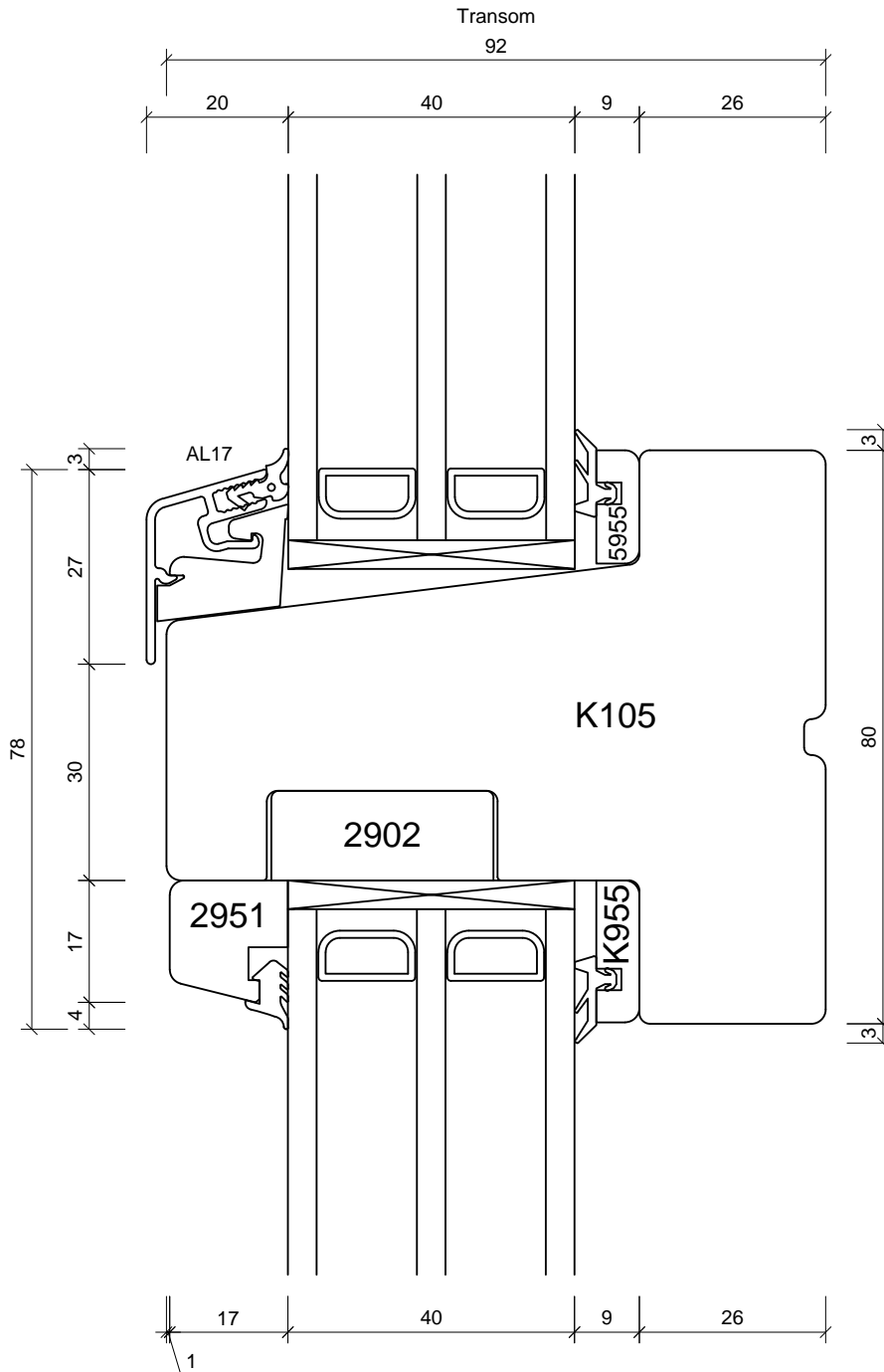
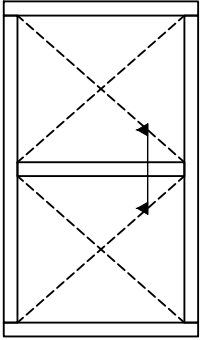
Scale:
NTS

This drawing remains the property of Livingwood Windows Ltd and may not be reproduced without written permission. Livingwood Windows Ltd accepts no liability arising from any party acting on information contained within this drawing. It is advised that assistance is sought from Livingwood windows Ltd regarding matters of an individual project.



Studio 5
 Old School Studios
 140 Eastgate Street
 Bury St Edmunds
 Suffolk
 IP33 1XX
 Tel: 01284 705 468
 sales@livingwoodwindows.co.uk
 www.livingwoodwindows.co.uk

Drawing No.: V-3TFC109	Date: 06.09.11
Drawing Title: 3k Timber Flush Casement Section Through Mullion Fixed Light/Fixed Light	Drawn By: JSE
	Scale: NTS
<small>This drawing remains the property of Livingwood Windows Ltd and may not be reproduced without written permission. Livingwood Windows Ltd accepts no liability arising from any party acting on information contained within this drawing. It is advised that assistance is sought from Livingwood windows Ltd regarding matters of an individual project.</small>	



Studio 5
 Old School Studios
 140 Eastgate Street
 Bury St Edmunds
 Suffolk
 IP33 1XX
 Tel: 01284 705 468
 sales@livingwoodwindows.co.uk
 www.livingwoodwindows.co.uk

Drawing No.:
 V-3TFC110

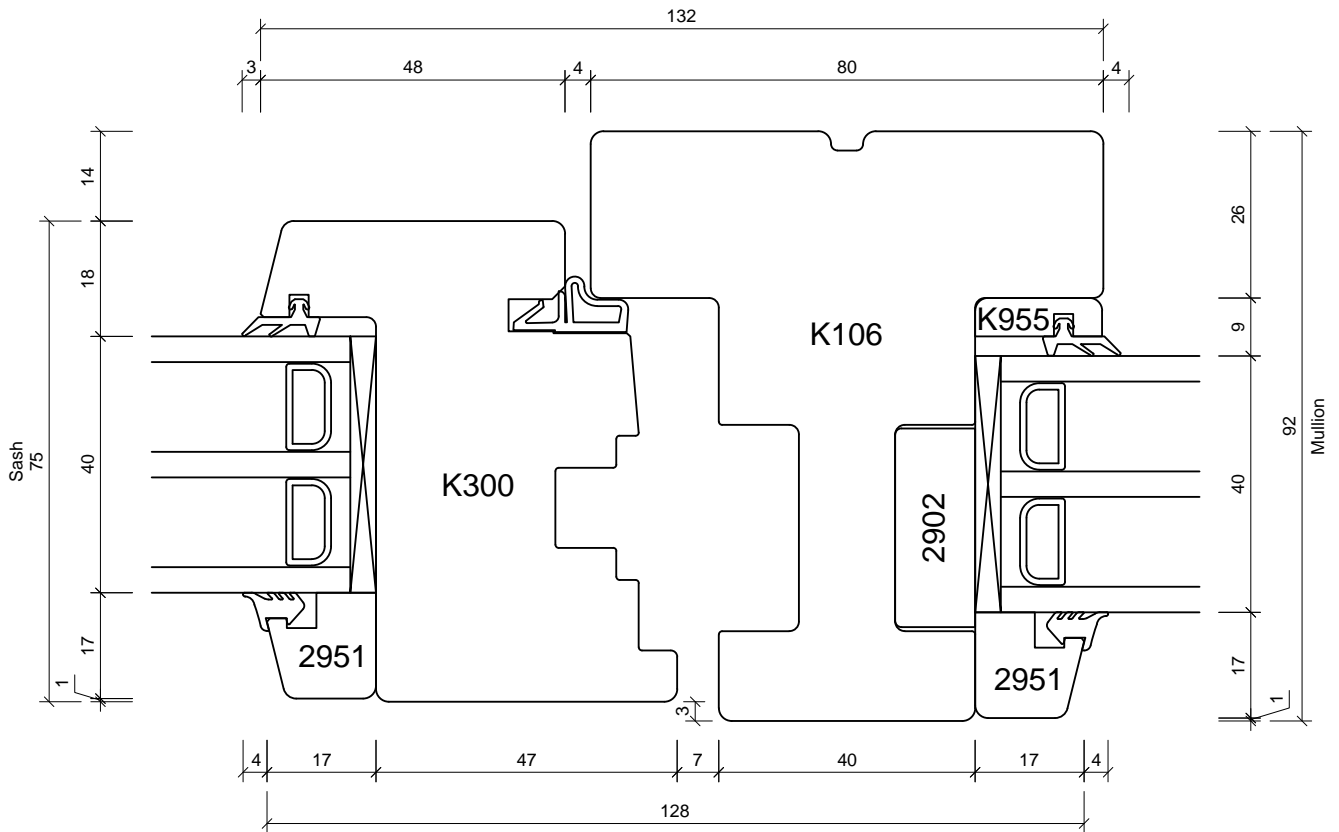
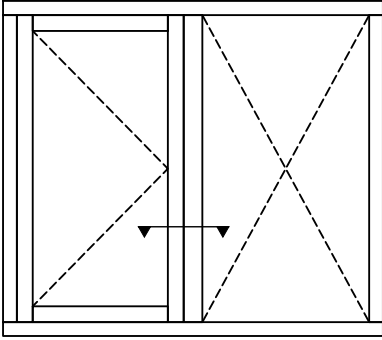
Date:
 06.09.11

Drawing Title:
 3k Timber Flush Casement
 Section Through Transom
 Fixed Light/Fixed Light

Drawn By:
 JSE

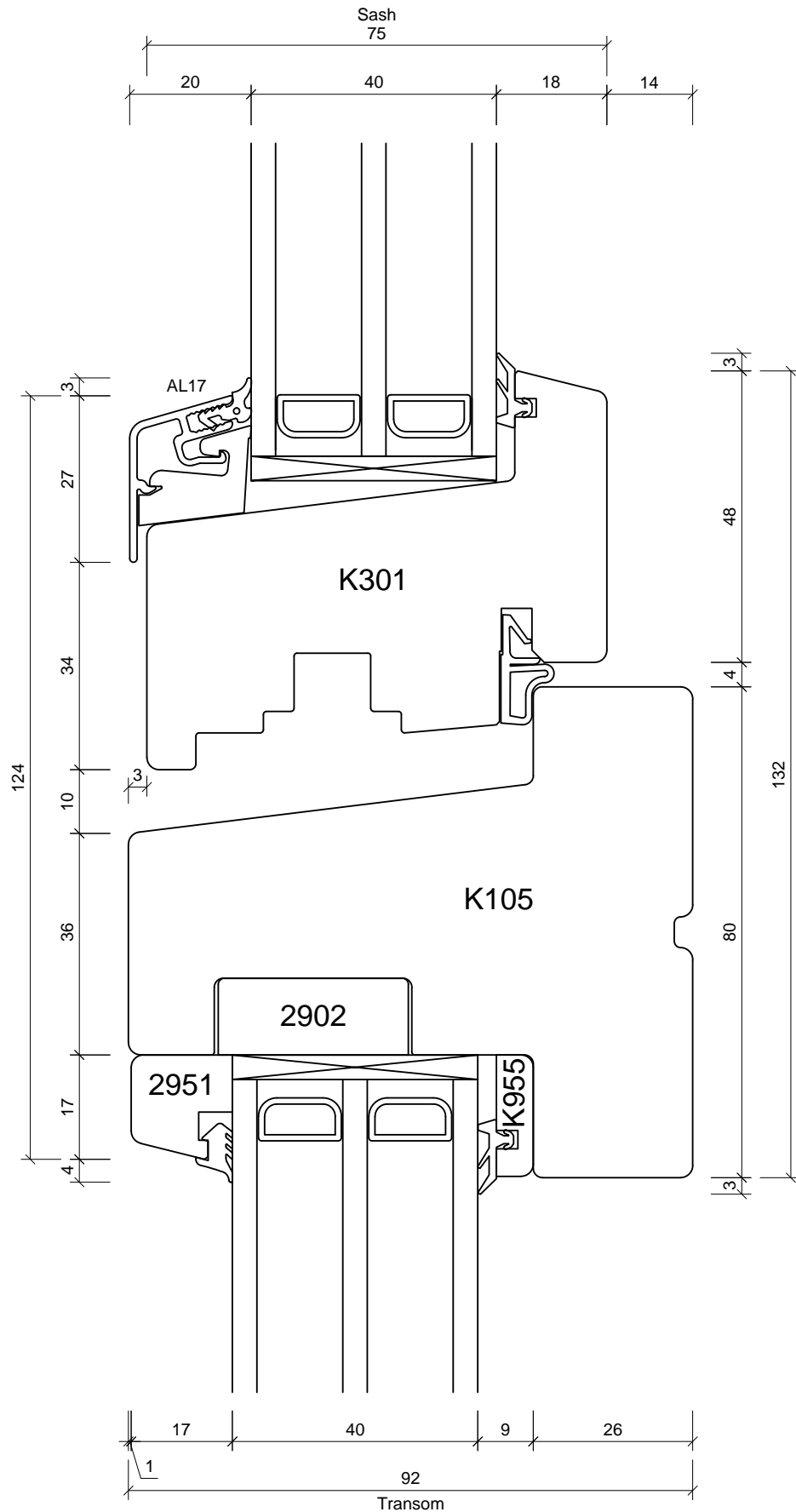
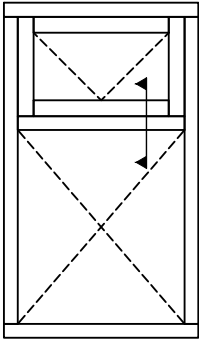
Scale:
 NTS

This drawing remains the property of Livingwood Windows Ltd and may not be reproduced without written permission.
 Livingwood Windows Ltd accepts no liability arising from any party acting on information contained within this drawing.
 It is advised that assistance is sought from Livingwood windows Ltd regarding matters of an individual project.



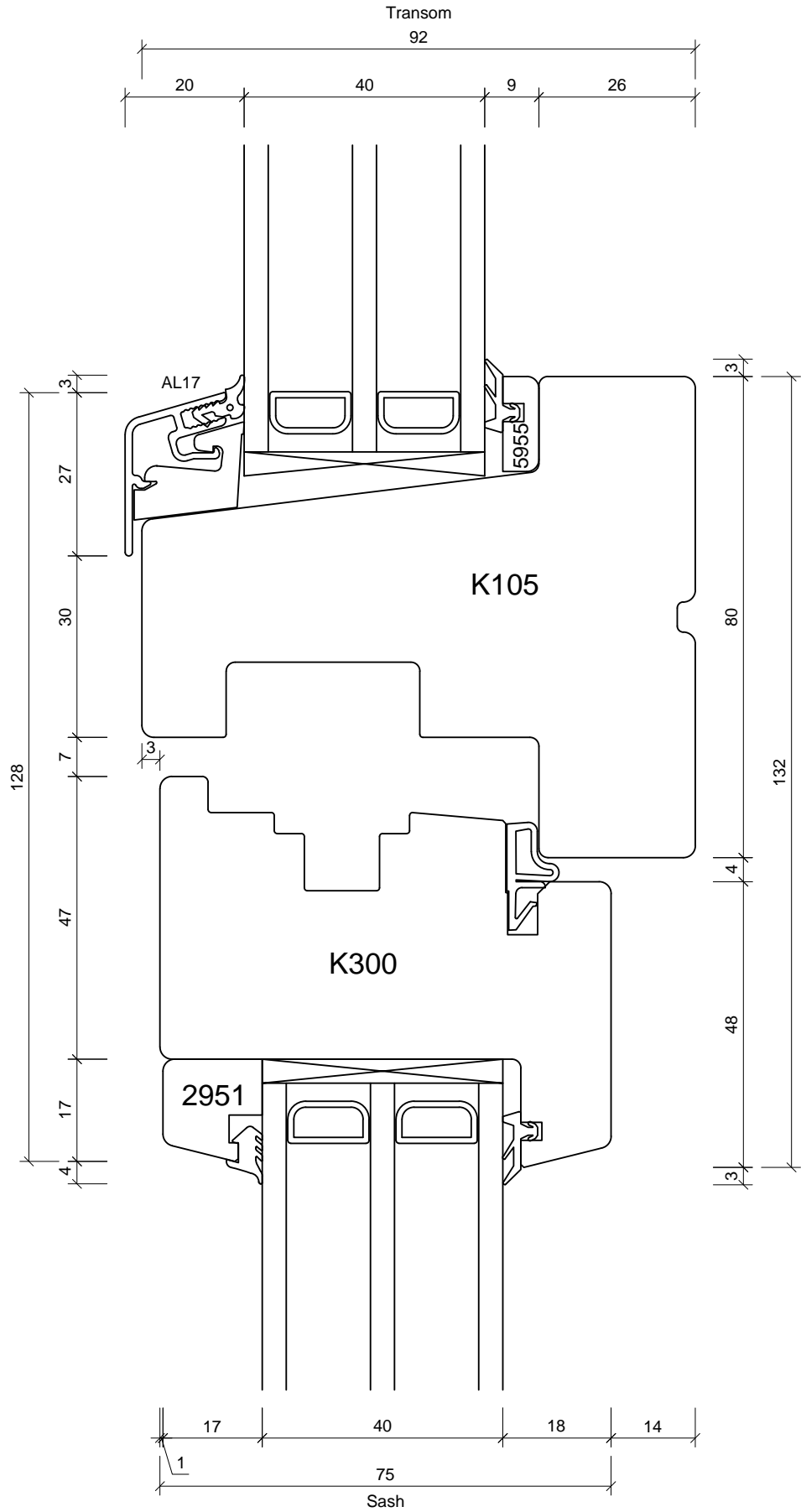
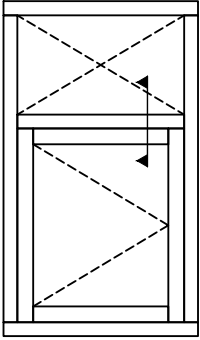
Studio 5
 Old School Studios
 140 Eastgate Street
 Bury St Edmunds
 Suffolk
 IP33 1XX
 Tel: 01284 705 468
 sales@livingwoodwindows.co.uk
 www.livingwoodwindows.co.uk

Drawing No.:	V-3TFC111	Date:	06.09.11
Drawing Title:	3k Timber Flush Casement Section Through Mullion Opening Sash/Fixed Light	Drawn By:	JSE
		Scale:	NTS
<small>This drawing remains the property of Livingwood Windows Ltd and may not be reproduced without written permission. Livingwood Windows Ltd accepts no liability arising from any party acting on information contained within this drawing. It is advised that assistance is sought from Livingwood windows Ltd regarding matters of an individual project.</small>			



Studio 5
 Old School Studios
 140 Eastgate Street
 Bury St Edmunds
 Suffolk
 IP33 1XX
 Tel: 01284 705 468
 sales@livingwoodwindows.co.uk
 www.livingwoodwindows.co.uk

Drawing No.:	V-3TFC112	Date:	06.09.11
Drawing Title:	3k Timber Flush Casement Section Through Transom Opening Sash Over Fixed Light	Drawn By:	JSE
		Scale:	NTS
<small>This drawing remains the property of Livingwood Windows Ltd and may not be reproduced without written permission. Livingwood Windows Ltd accepts no liability arising from any party acting on information contained within this drawing. It is advised that assistance is sought from Livingwood windows Ltd regarding matters of an individual project.</small>			



Studio 5
 Old School Studios
 140 Eastgate Street
 Bury St Edmunds
 Suffolk
 IP33 1XX
 Tel: 01284 705 468
 sales@livingwoodwindows.co.uk
 www.livingwoodwindows.co.uk

Drawing No.:
 V-3TFC113

Date:
 06.09.11

Drawing Title:
 3k Timber Flush Casement
 Section Through Transom
 Fixed Light Over Opening Sash

Drawn By:
 JSE
 Scale:
 NTS

This drawing remains the property of Livingwood Windows Ltd and may not be reproduced without written permission.
 Livingwood Windows Ltd accepts no liability arising from any party acting on information contained within this drawing.
 It is advised that assistance is sought from Livingwood windows Ltd regarding matters of an individual project.