

Studio 5 Old School Studios  
140 Eastgate Street  
Bury St Edmunds, Suffolk  
IP33 1XX

phone: 01284 705 468

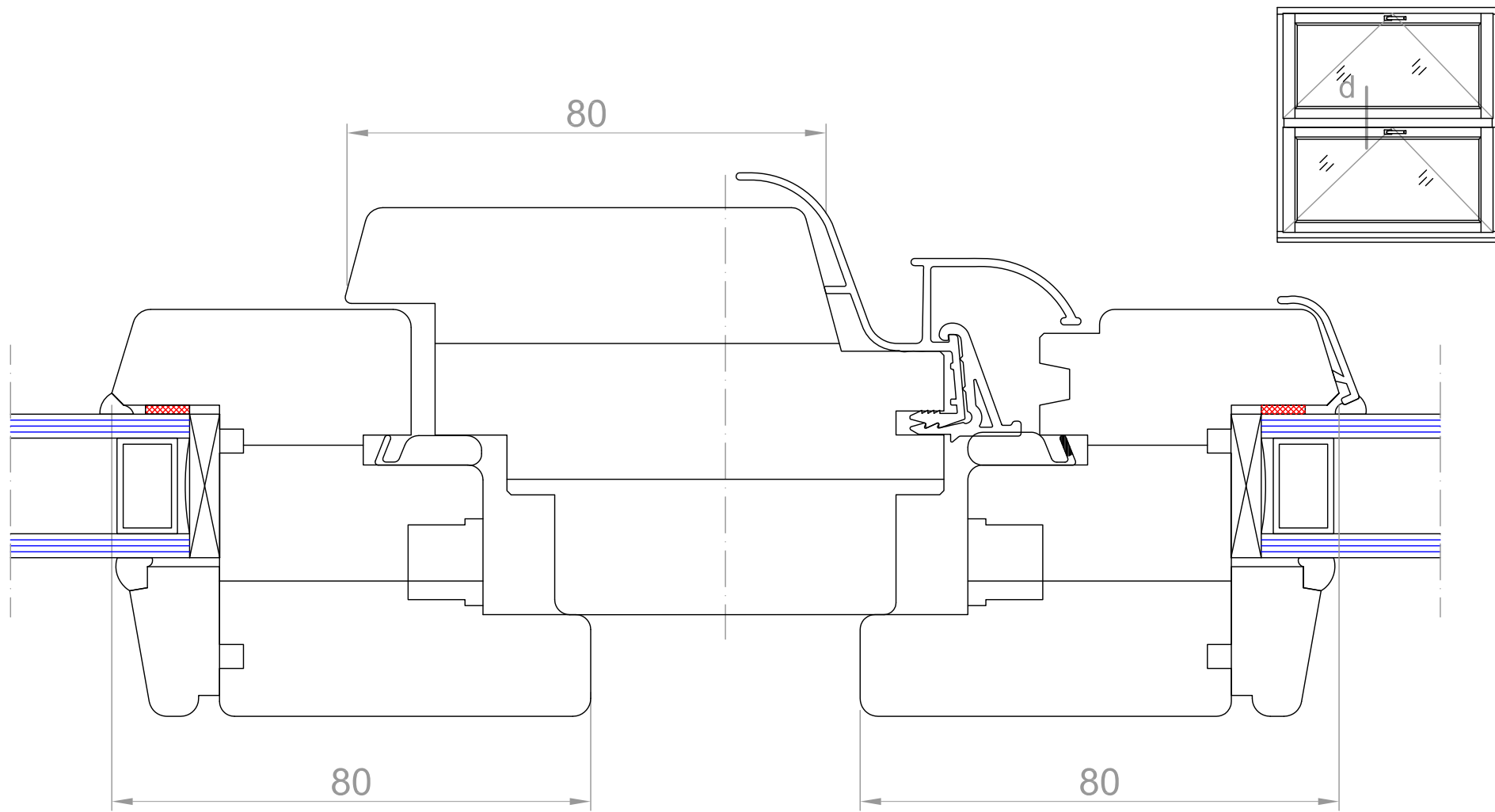
[www.livingwoodwindows.co.uk](http://www.livingwoodwindows.co.uk)  
[sales@livingwoodwindows.co.uk](mailto:sales@livingwoodwindows.co.uk)

**Livingwood Windows Limited**

Timber 2k Tilt & Turn In Open  
Section of Flying Mullion

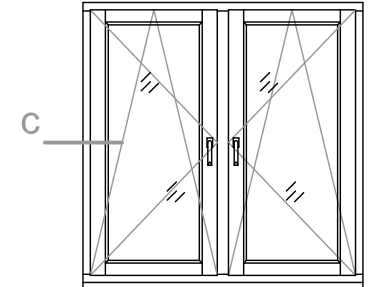
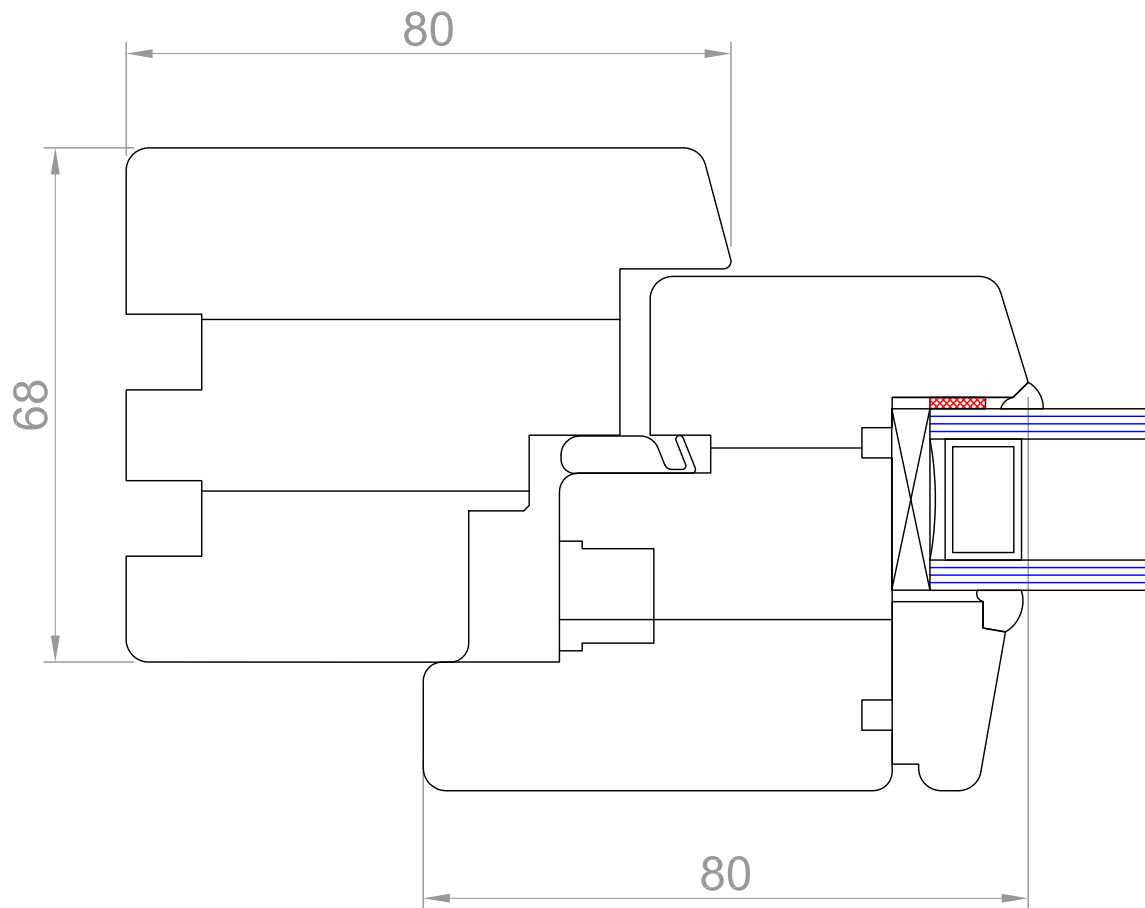
DATE 14/06/2010

SCALE do not scale



Studio 5 Old School Studios  
140 Eastgate Street  
Bury St Edmunds, Suffolk  
IP33 1XX  
phone: 01284 705 468  
www.livingwoodwindows.co.uk  
sales@livingwoodwindows.co.uk

<b>Livingwood Windows Limited</b>	
Timber 2k Tilt & Turn In Open Tilt Unit over tilt unit	
DATE	14/06/2010
SCALE	do not scale



Studio 5 Old School Studios  
140 Eastgate Street  
Bury St Edmunds, Suffolk  
IP33 1XX

phone: 01284 705 468

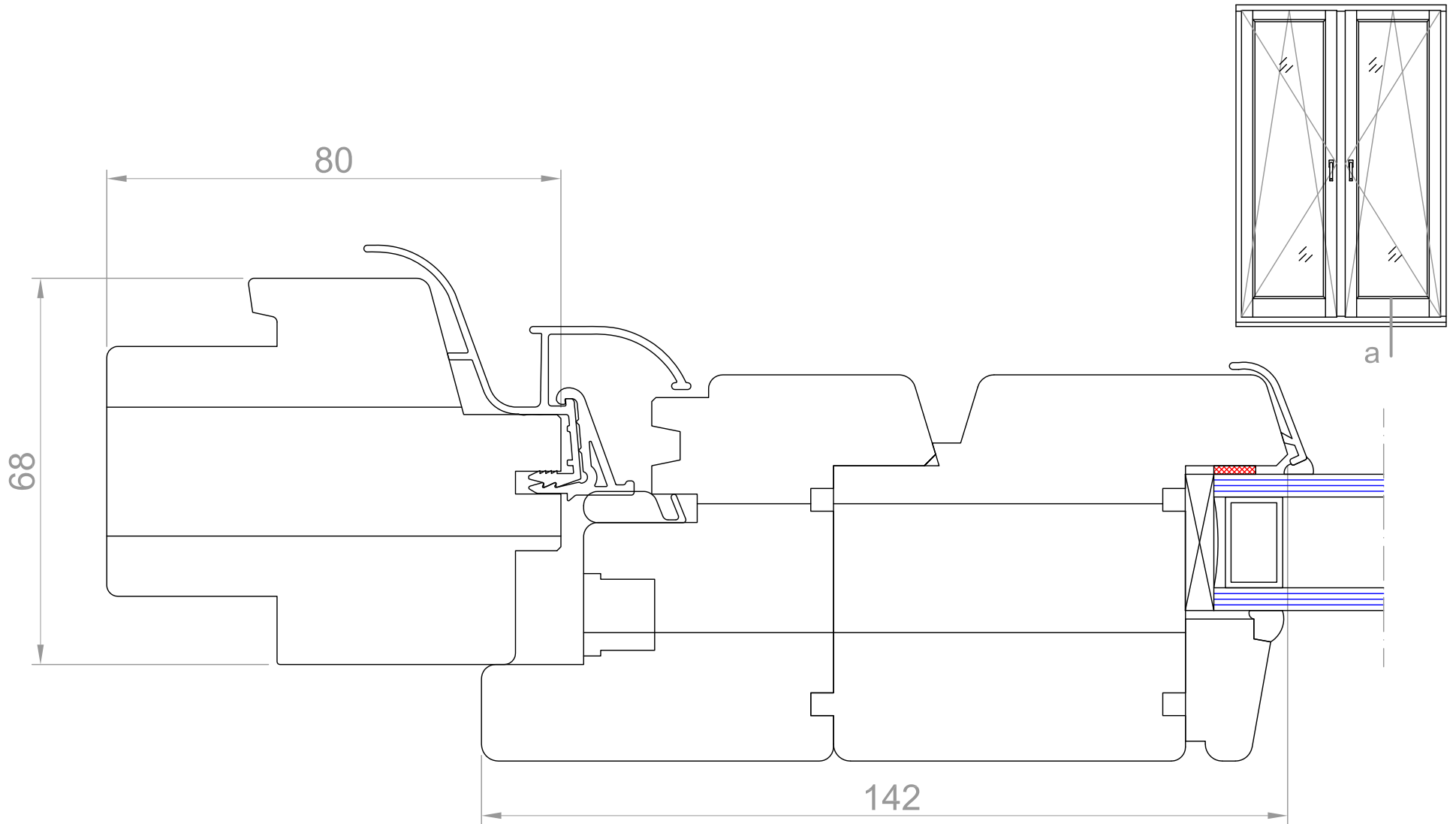
[www.livingwoodwindows.co.uk](http://www.livingwoodwindows.co.uk)  
[sales@livingwoodwindows.co.uk](mailto:sales@livingwoodwindows.co.uk)

**Livingwood Windows Limited**

Timber 2k Tilt & Turn In Open  
Jamb section of a pair of tilt and turn windows

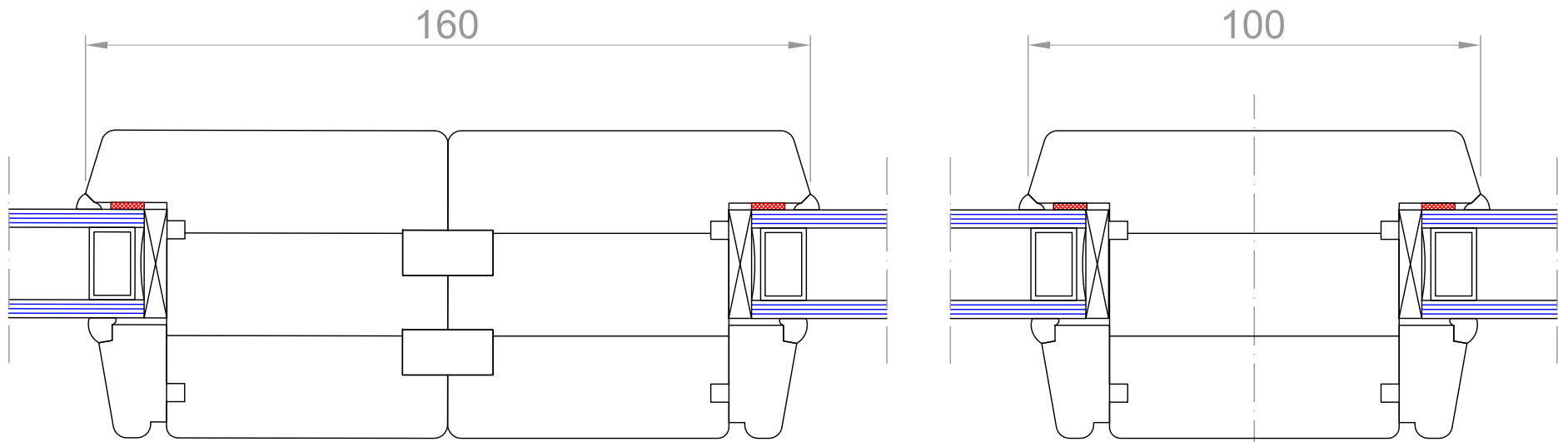
DATE 14/06/2010

SCALE do not scale



Studio 5 Old School Studios  
140 Eastgate Street  
Bury St Edmunds, Suffolk  
IP33 1XX  
phone: 01284 705 468  
www.livingwoodwindows.co.uk  
sales@livingwoodwindows.co.uk

<b>Livingwood Windows Limited</b>	
Timber 2k Tilt & Turn In Open Cill section of balcony door	
DATE	14/06/2010
SCALE	do not scale



Studio 5 Old School Studios  
140 Eastgate Street  
Bury St Edmunds, Suffolk  
IP33 1XX

phone: 01284 705 468

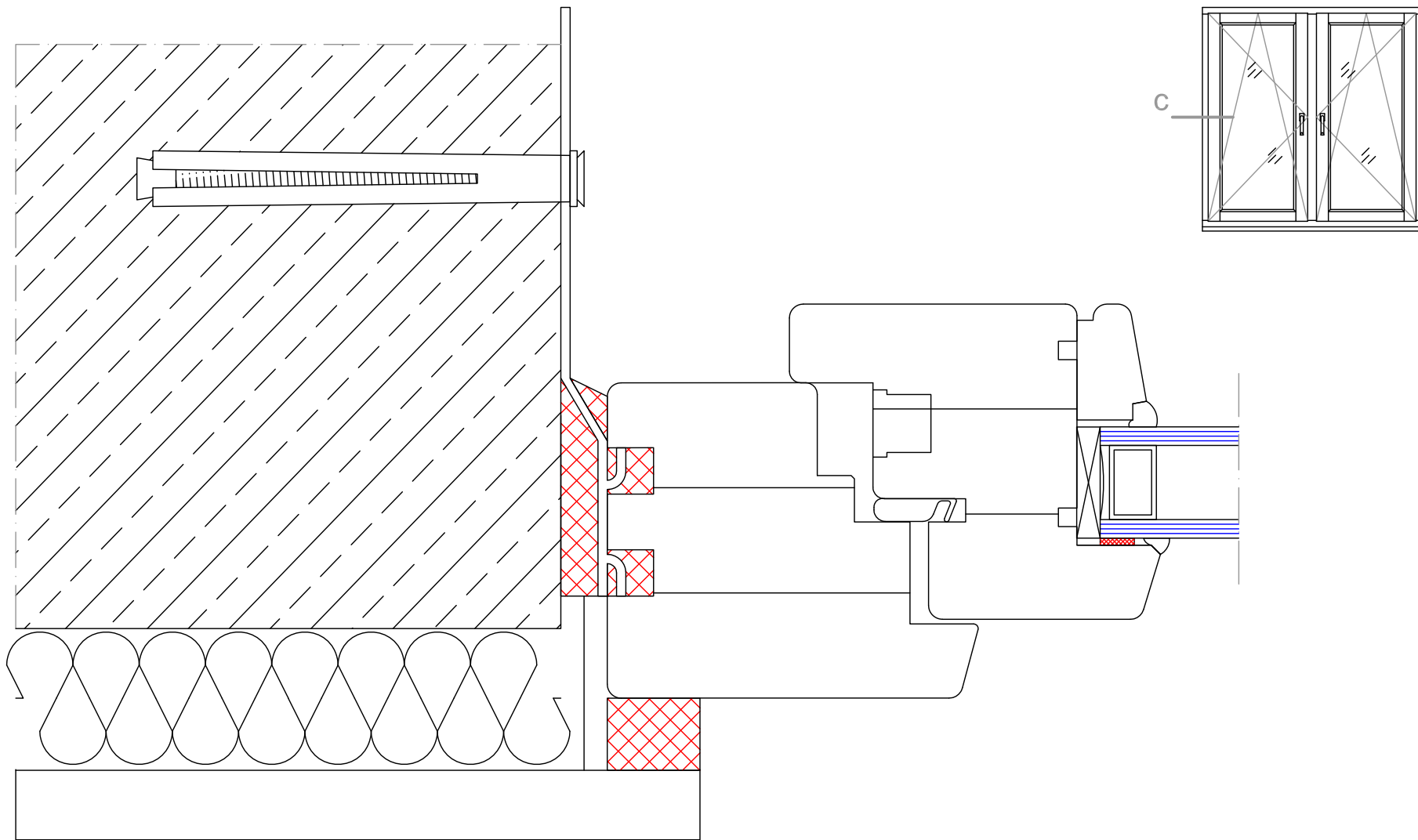
[www.livingwoodwindows.co.uk](http://www.livingwoodwindows.co.uk)  
[sales@livingwoodwindows.co.uk](mailto:sales@livingwoodwindows.co.uk)

**Livingwood Windows Limited**

Timber 2k Tilt & Turn In Open  
Fixed lights meeting

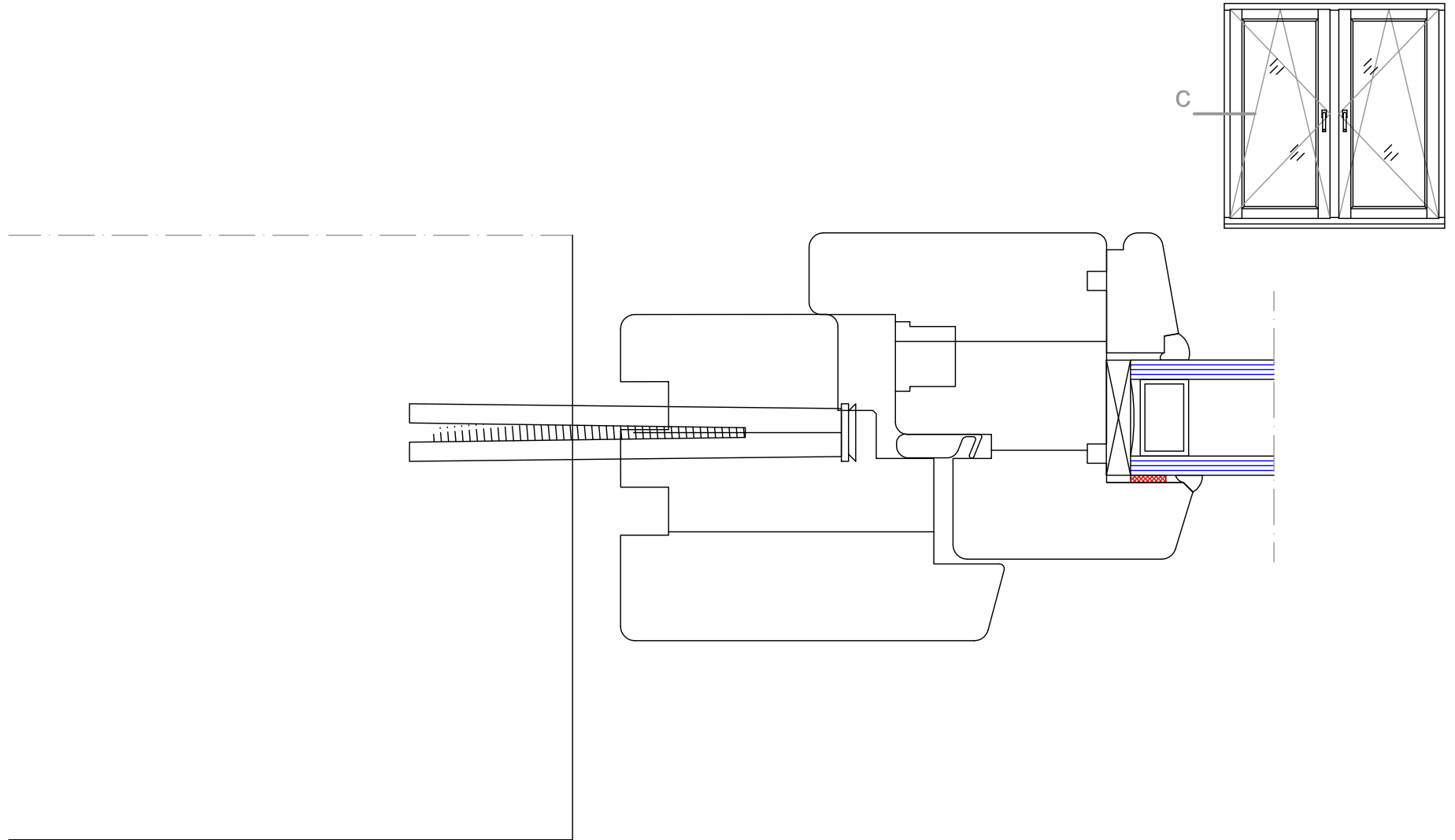
DATE 14/06/2010

SCALE do not scale



Studio 5 Old School Studios  
140 Eastgate Street  
Bury St Edmunds, Suffolk  
IP33 1XX  
phone: 01284 705 468  
www.livingwoodwindows.co.uk  
sales@livingwoodwindows.co.uk

<b>Livingwood Windows Limited</b>	
Timber 2k Tilt & Turn In Open. Suggested fixing of jamb section of tilt and turn window with metal strap with insulated external render system	
DATE	14/06/2010
SCALE	do not scale



Studio 5 Old School Studios  
140 Eastgate Street  
Bury St Edmunds, Suffolk  
IP33 1XX

phone: 01284 705 468

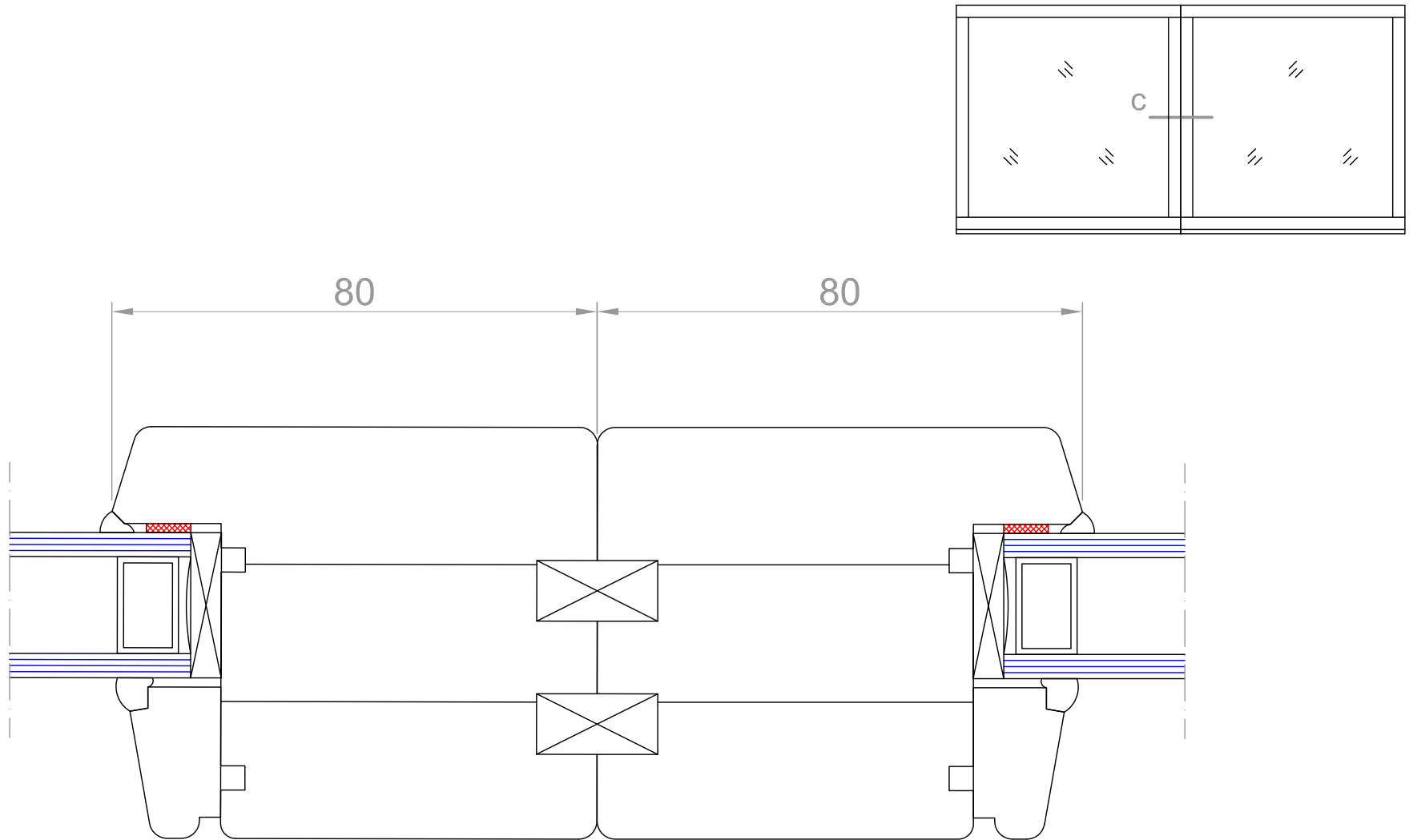
[www.livingwoodwindows.co.uk](http://www.livingwoodwindows.co.uk)  
[sales@livingwoodwindows.co.uk](mailto:sales@livingwoodwindows.co.uk)

**Livingwood Windows Limited**

Timber 2k Tilt & Turn In Open  
Through frame fixing of jamb section

DATE 14/06/2010

SCALE do not scale



Studio 5 Old School Studios  
140 Eastgate Street  
Bury St Edmunds, Suffolk  
IP33 1XX

phone: 01284 705 468

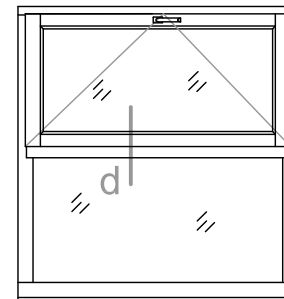
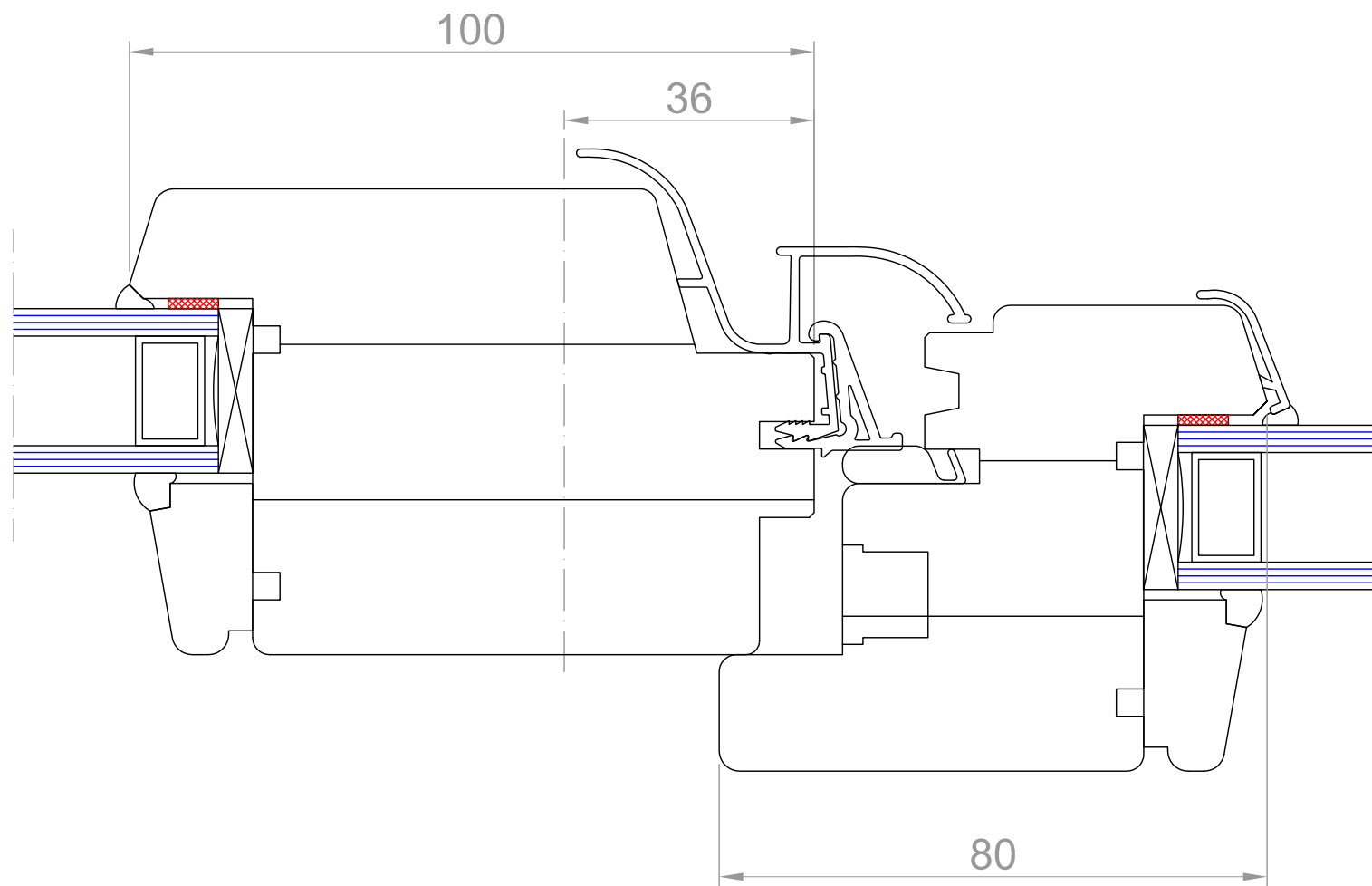
www.livingwoodwindows.co.uk  
sales@livingwoodwindows.co.uk

**Livingwood Windows Limited**

Timber 2k Tilt & Turn In Open. Meeting of two fixed  
light jamb sections, secured with splines

DATE 14/06/2010

SCALE do not scale



Studio 5 Old School Studios  
140 Eastgate Street  
Bury St Edmunds, Suffolk  
IP33 1XX

phone: 01284 705 468

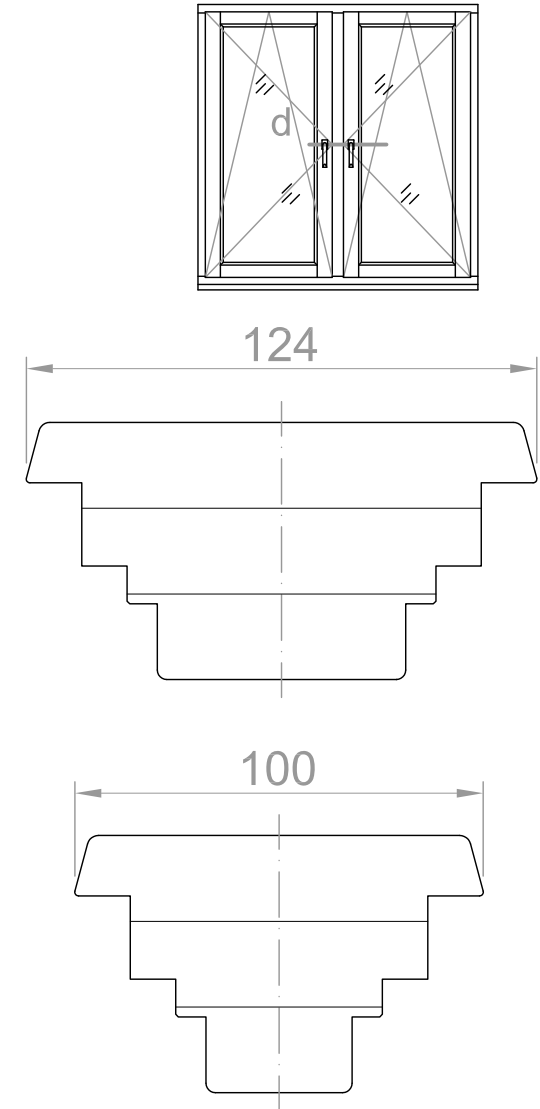
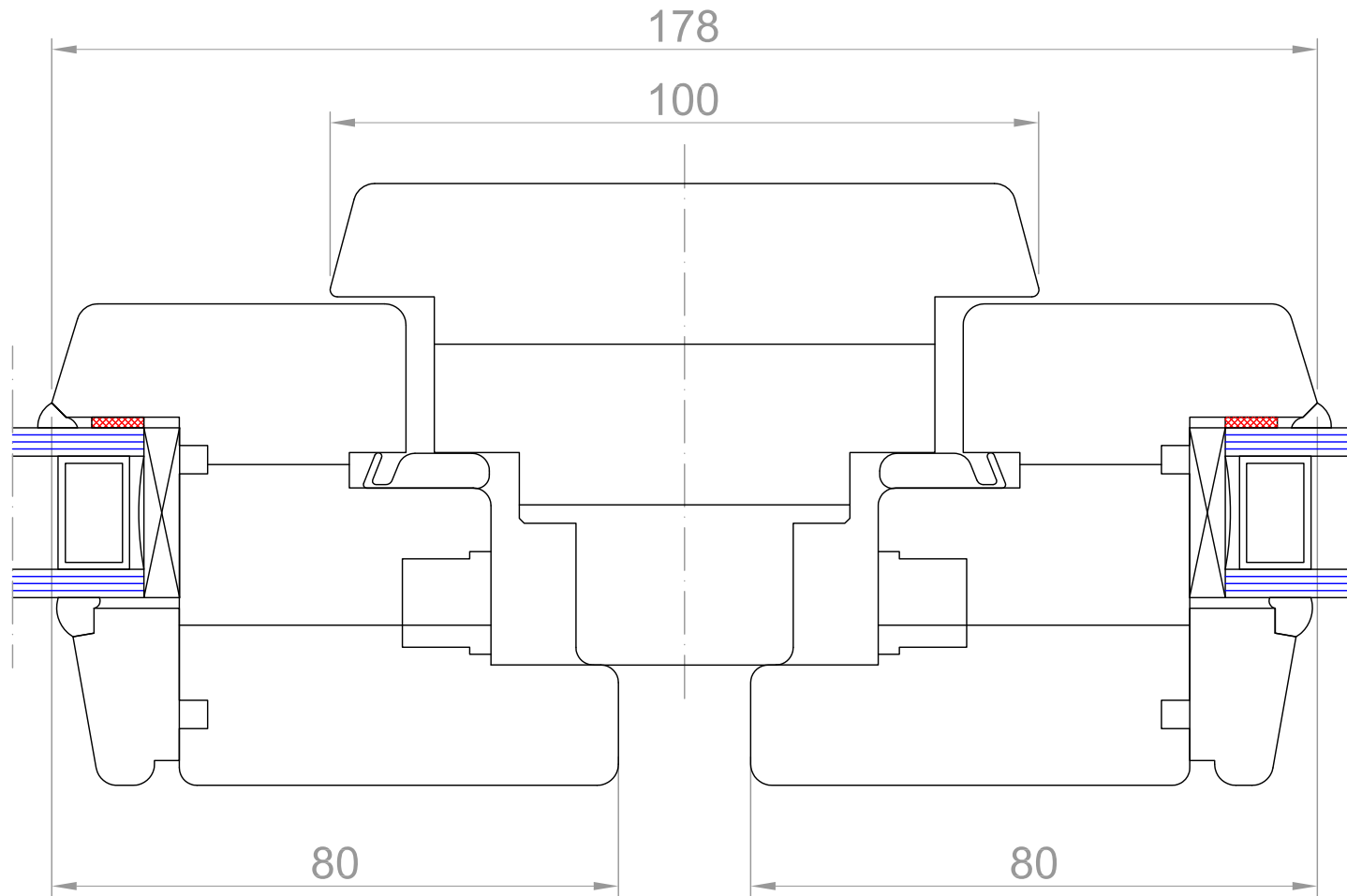
[www.livingwoodwindows.co.uk](http://www.livingwoodwindows.co.uk)  
[sales@livingwoodwindows.co.uk](mailto:sales@livingwoodwindows.co.uk)

### Livingwood Windows Limited

Timber 2k Tilt & Turn In Open  
Tilt only unit over fixed light

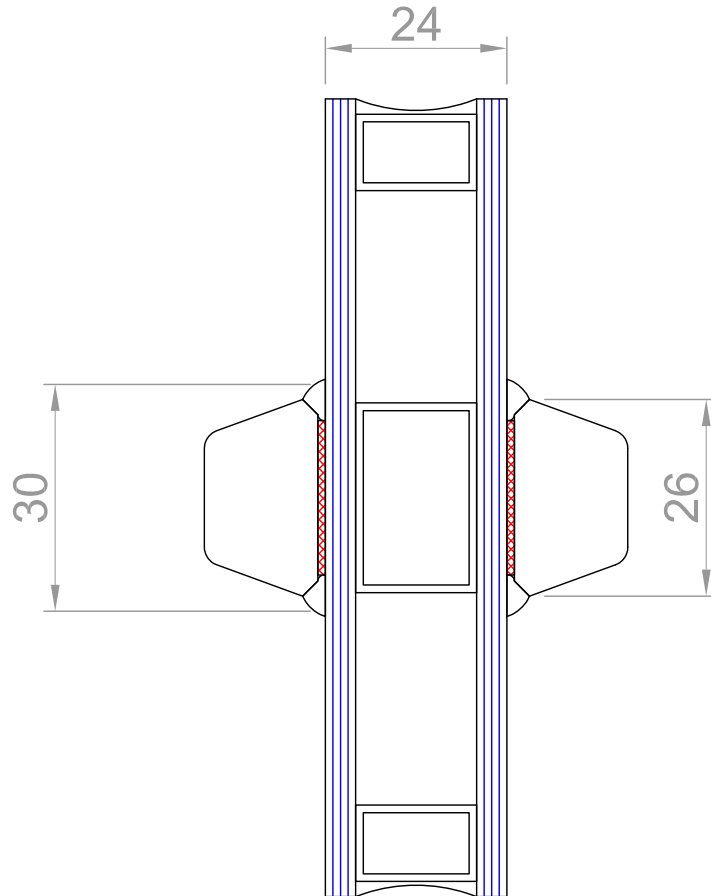
DATE 14/06/2010

SCALE do not scale



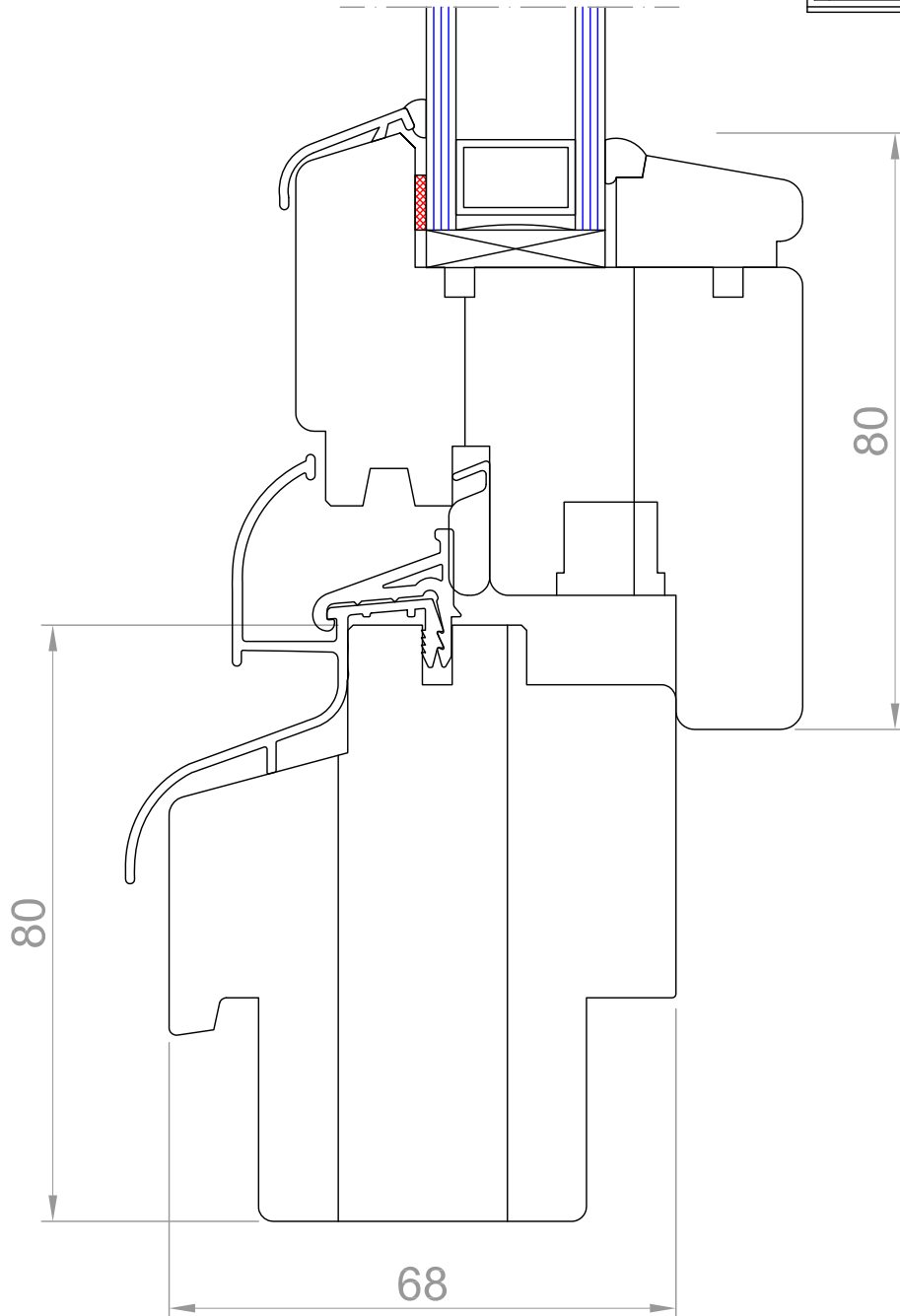
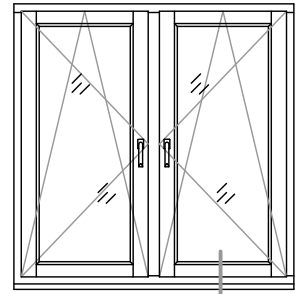
Studio 5 Old School Studios  
 140 Eastgate Street  
 Bury St Edmunds, Suffolk  
 IP33 1XX  
 phone: 01284 705 468  
 www.livingwoodwindows.co.uk  
 sales@livingwoodwindows.co.uk

<b>Livingwood Windows Limited</b>	
Timber 2k Tilt & Turn In Open. 100mm meeting mullion of two tilt and turn units in same frame	
DATE	14/06/2010
SCALE	do not scale



Studio 5 Old School Studios  
140 Eastgate Street  
Bury St Edmunds, Suffolk  
IP33 1XX  
phone: 01284 705 468  
[www.livingwoodwindows.co.uk](http://www.livingwoodwindows.co.uk)  
[sales@livingwoodwindows.co.uk](mailto:sales@livingwoodwindows.co.uk)

<b>Livingwood Windows Limited</b>	
Timber 2k Tilt & Turn In Open 30mm stick on glazing bead	
DATE	14/06/2010
SCALE	do not scale



Studio 5 Old School Studios  
140 Eastgate Street  
Bury St Edmunds, Suffolk  
IP33 1XX

phone: 01284 705 468

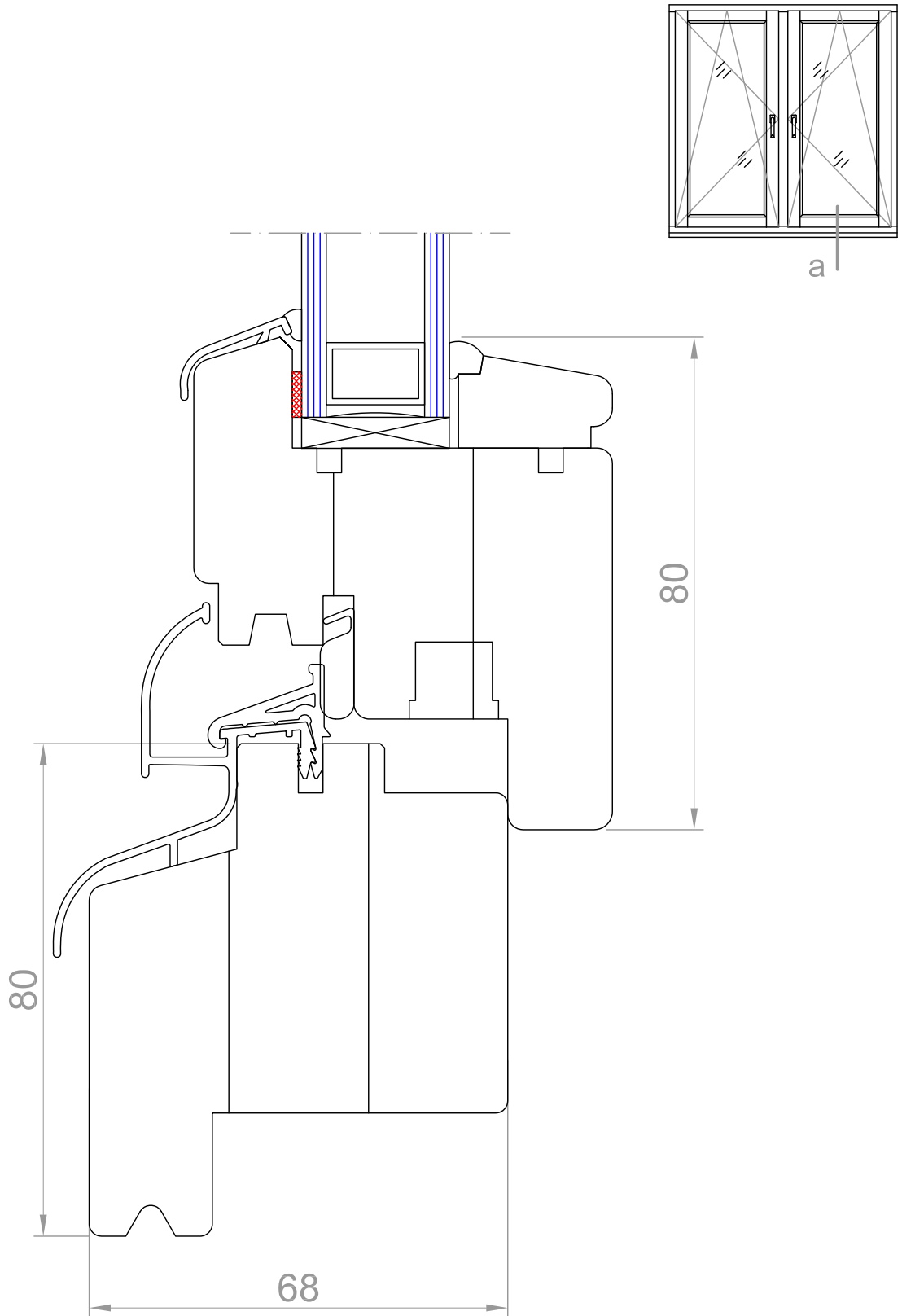
www.livingwoodwindows.co.uk  
sales@livingwoodwindows.co.uk

**Livingwood Windows Limited**

Timber 2k Tilt & Turn In Open  
Cill section of pair of Tilt & Turn windows

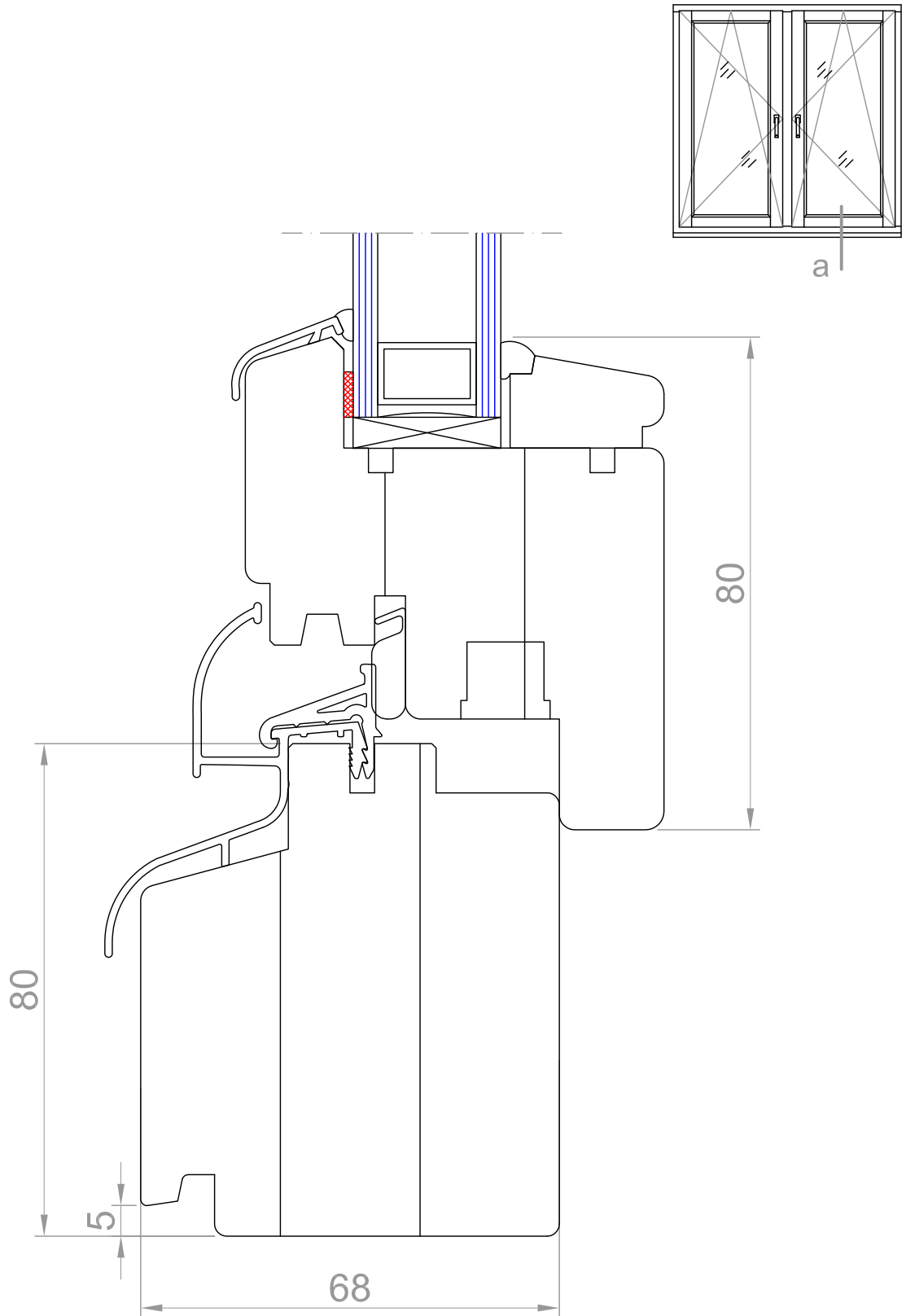
DATE 14/06/2010

SCALE do not scale



Studio 5 Old School Studios  
140 Eastgate Street  
Bury St Edmunds, Suffolk  
IP33 1XX  
phone: 01284 705 468  
www.livingwoodwindows.co.uk  
sales@livingwoodwindows.co.uk

<b>Livingwood Windows Limited</b>	
Timber 2k Tilt & Turn In Open. Cill section of Tilt & Turn window with extended cill drip section	
DATE	14/06/2010
SCALE	do not scale



Studio 5 Old School Studios  
 140 Eastgate Street  
 Bury St Edmunds, Suffolk  
 IP33 1XX

phone: 01284 705 468

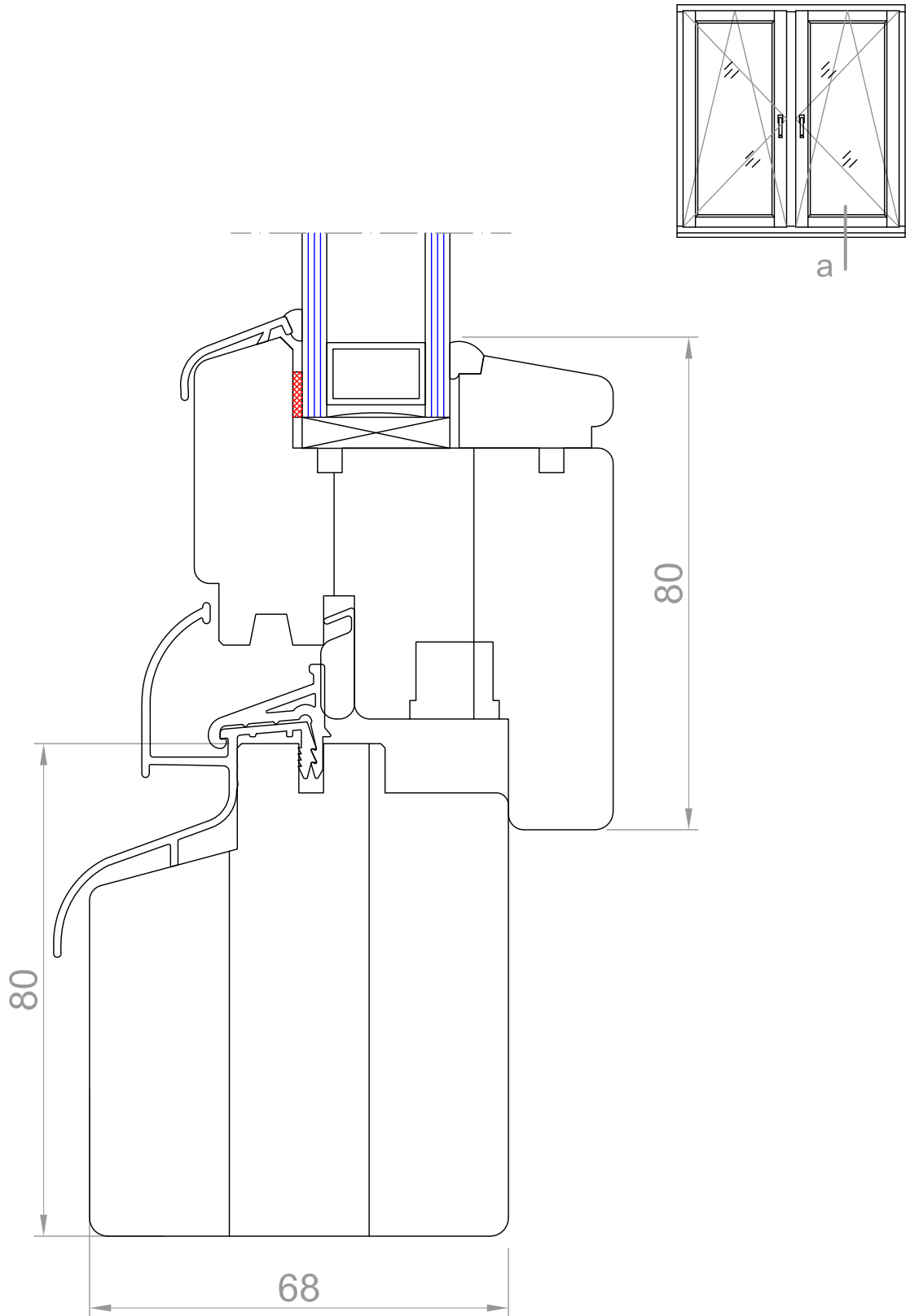
www.livingwoodwindows.co.uk  
 sales@livingwoodwindows.co.uk

**Livingwood Windows Limited**

Timber 2k Tilt & Turn In Open. Extended 80mm cill section with groove for aluminium external cill

DATE 14/06/2010

SCALE do not scale



Studio 5 Old School Studios  
140 Eastgate Street  
Bury St Edmunds, Suffolk  
IP33 1XX

phone: 01284 705 468

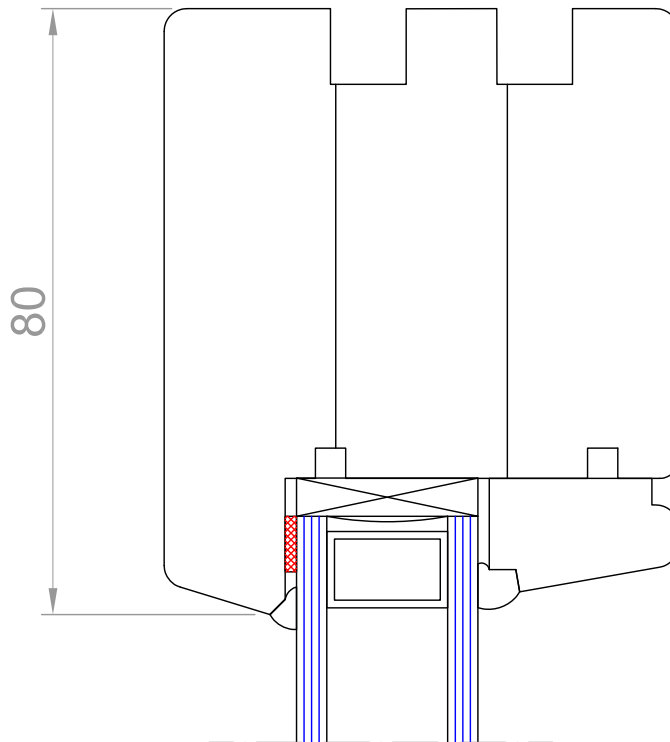
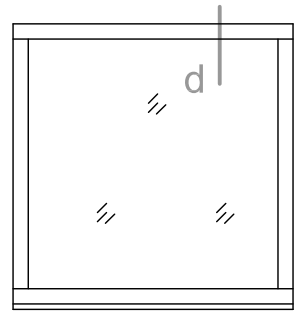
www.livingwoodwindows.co.uk  
sales@livingwoodwindows.co.uk

**Livingwood Windows Limited**

Timber 2k Tilt & Turn In Open  
Extended 80mm cill section

DATE 14/06/2010

SCALE do not scale



Studio 5 Old School Studios  
140 Eastgate Street  
Bury St Edmunds, Suffolk  
IP33 1XX

phone: 01284 705 468

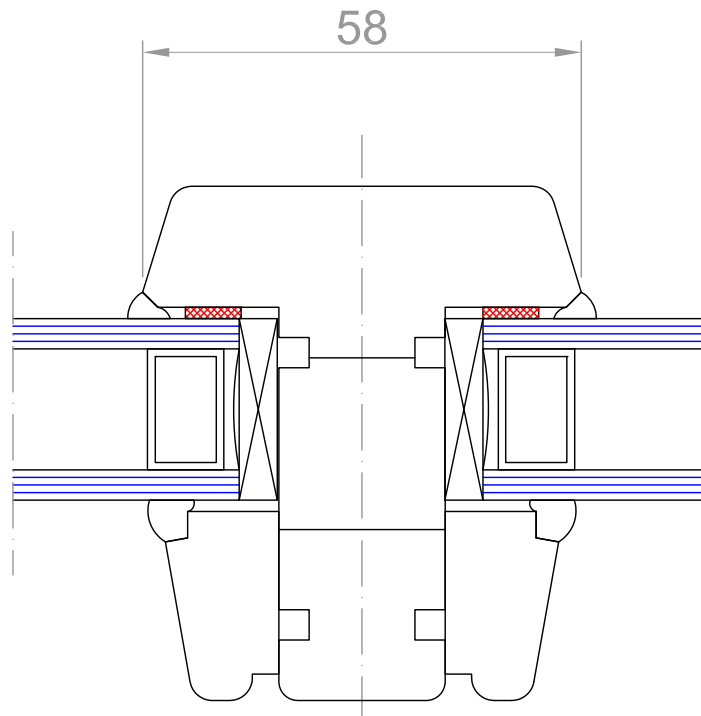
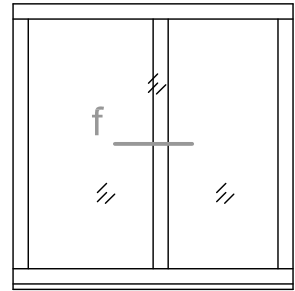
www.livingwoodwindows.co.uk  
sales@livingwoodwindows.co.uk

**Livingwood Windows Limited**

Timber 2k Tilt & Turn In Open  
Fixed light head section

DATE 14/06/2010

SCALE do not scale



Studio 5 Old School Studios  
140 Eastgate Street  
Bury St Edmunds, Suffolk  
IP33 1XX

phone: 01284 705 468

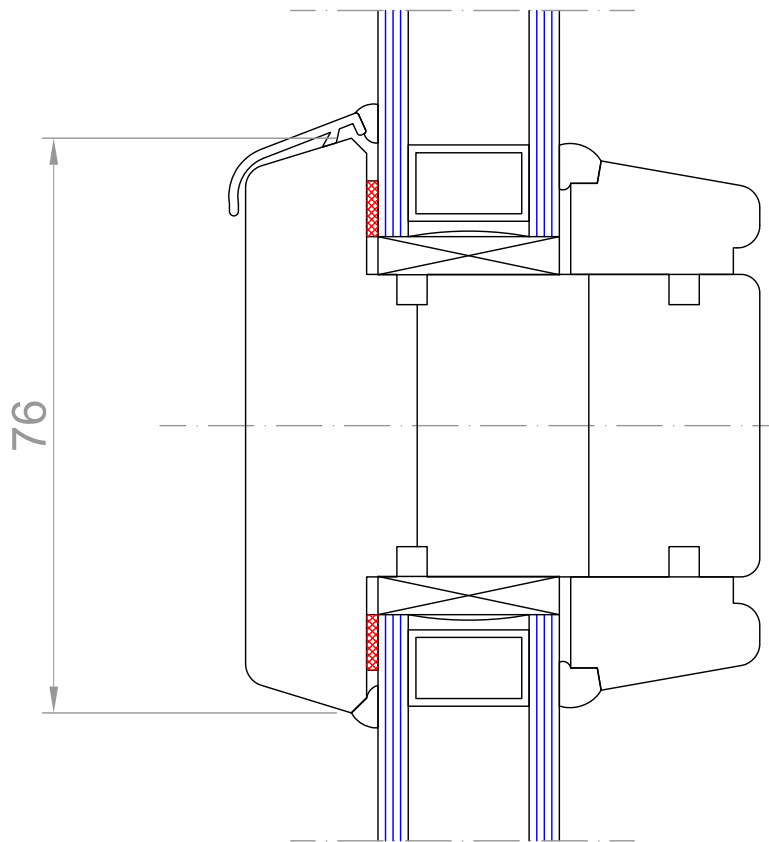
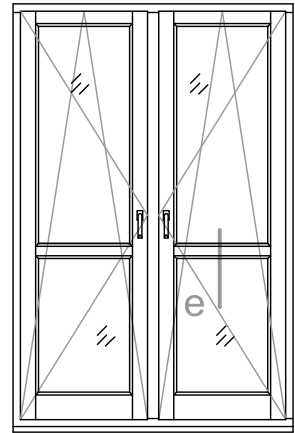
www.livingwoodwindows.co.uk  
sales@livingwoodwindows.co.uk

**Livingwood Windows Limited**

Timber 2k Tilt & Turn In Open  
58mm structural mullion

DATE 14/06/2010

SCALE do not scale



Studio 5 Old School Studios  
 140 Eastgate Street  
 Bury St Edmunds, Suffolk  
 IP33 1XX

phone: 01284 705 468

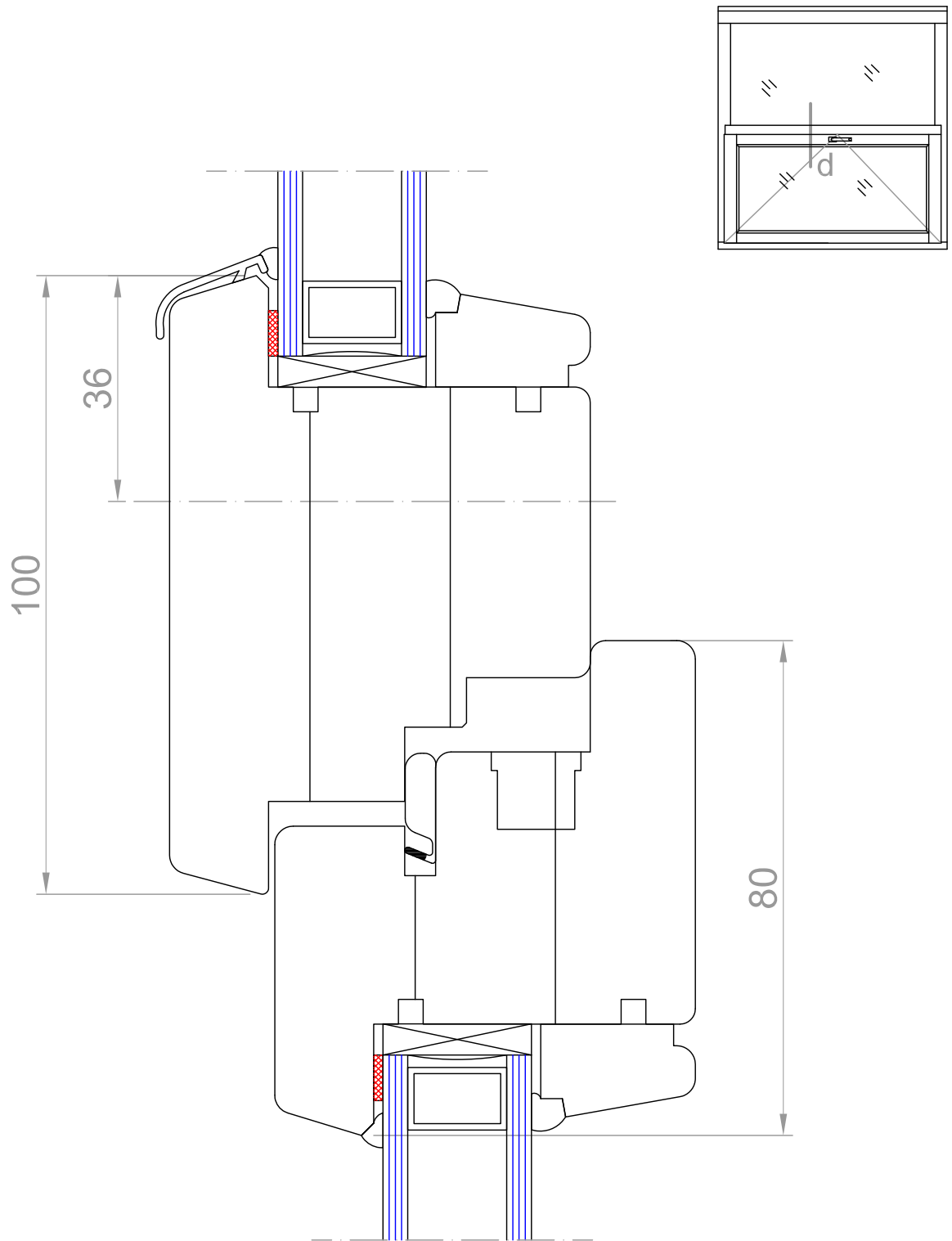
www.livingwoodwindows.co.uk  
 sales@livingwoodwindows.co.uk

**Livingwood Windows Limited**

Timber 2k Tilt & Turn In Open  
 76mm structural transom

DATE 14/06/2010

SCALE do not scale



Studio 5 Old School Studios  
140 Eastgate Street  
Bury St Edmunds, Suffolk  
IP33 1XX

phone: 01284 705 468

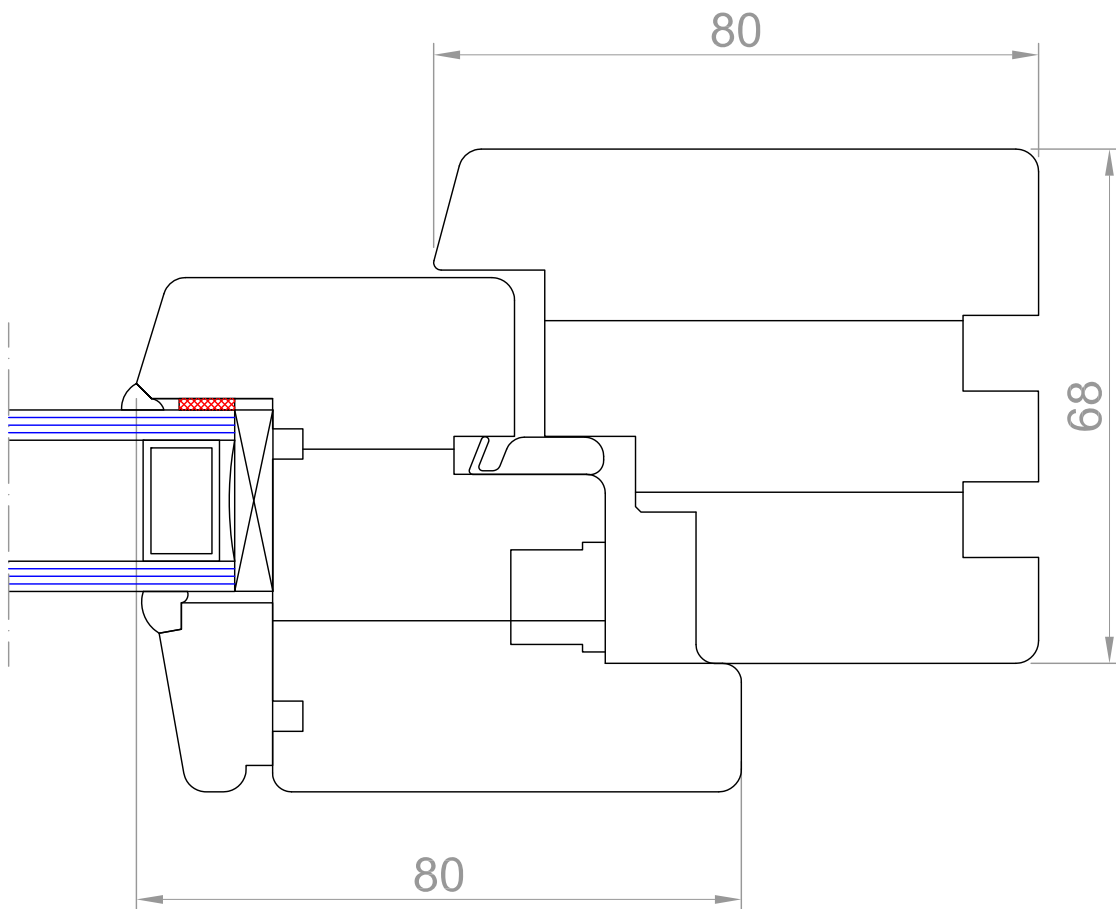
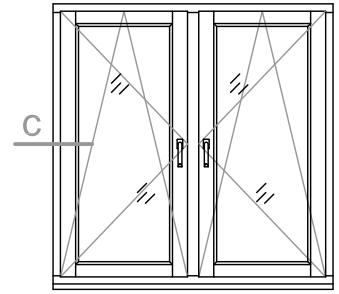
www.livingwoodwindows.co.uk  
sales@livingwoodwindows.co.uk

**Livingwood Windows Limited**

Timber 2k Tilt & Turn In Open  
Fixed light over tilt unit

DATE 14/06/2010

SCALE do not scale



Studio 5 Old School Studios  
 140 Eastgate Street  
 Bury St Edmunds, Suffolk  
 IP33 1XX

phone: 01284 705 468

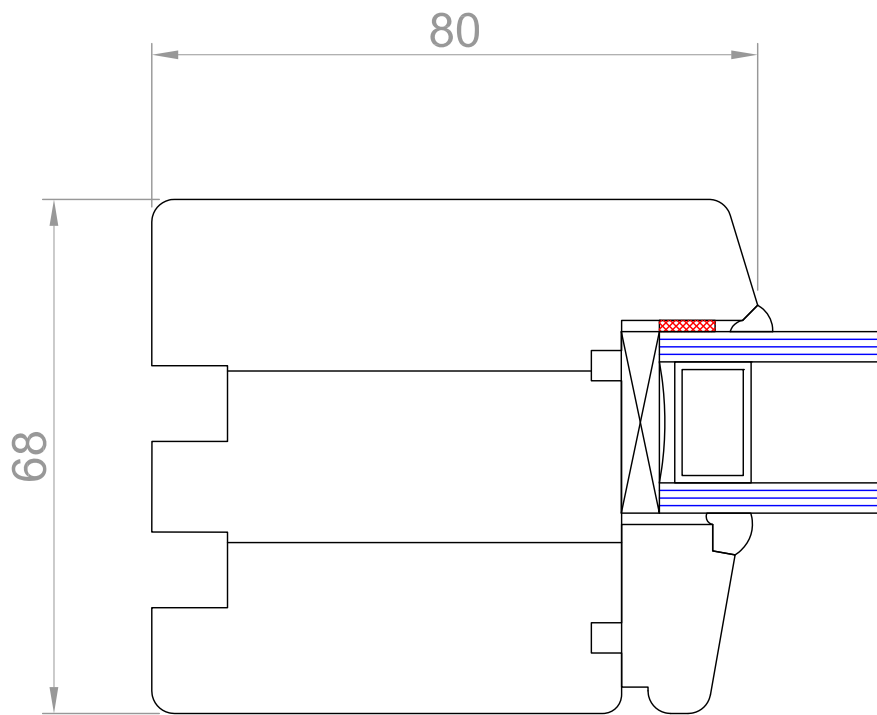
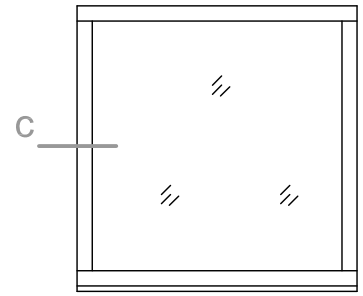
www.livingwoodwindows.co.uk  
 sales@livingwoodwindows.co.uk

**Livingwood Windows Limited**

Timber 2k Tilt & Turn In Open  
 Jamb section of pair of tilt & turn windows

DATE 14/06/2010

SCALE do not scale



Studio 5 Old School Studios  
140 Eastgate Street  
Bury St Edmunds, Suffolk  
IP33 1XX

phone: 01284 705 468

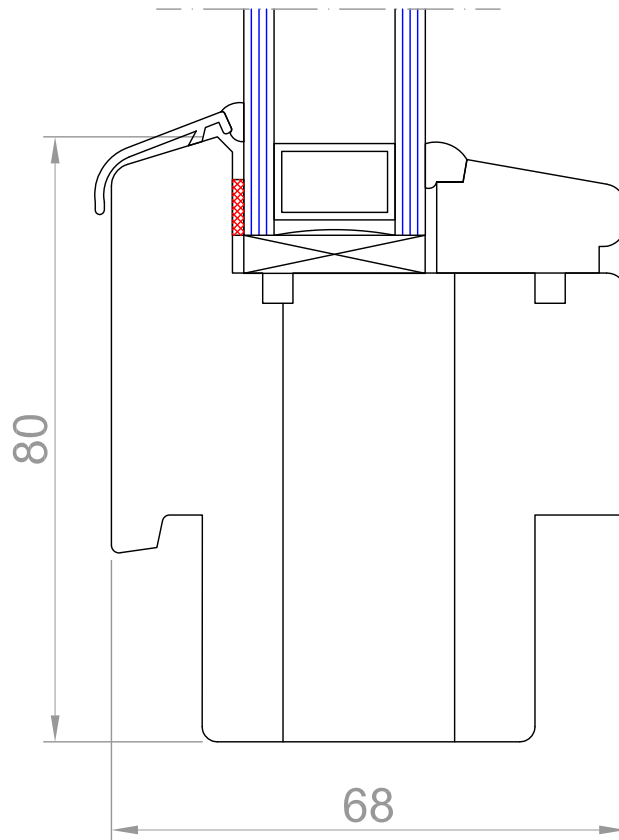
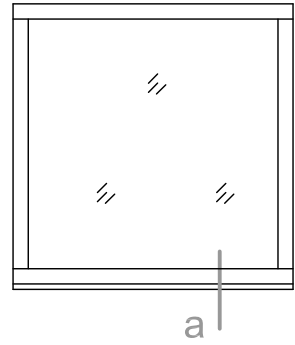
www.livingwoodwindows.co.uk  
sales@livingwoodwindows.co.uk

**Livingwood Windows Limited**

Timber 2k Tilt & Turn In Open  
Jamb section of fixed light

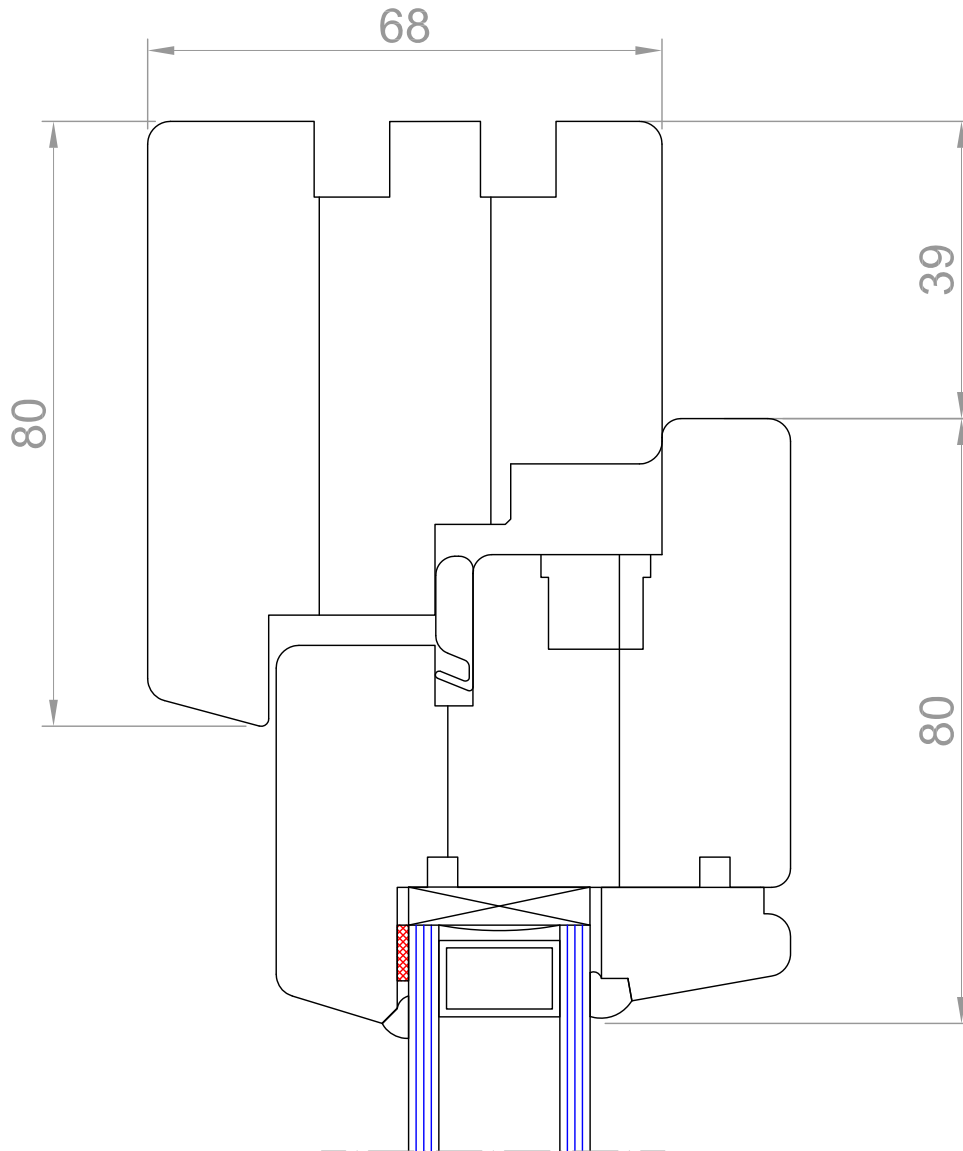
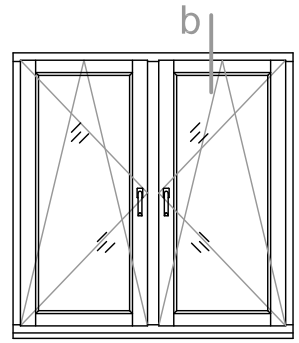
DATE 14/06/2010

SCALE do not scale



Studio 5 Old School Studios  
140 Eastgate Street  
Bury St Edmunds, Suffolk  
IP33 1XX  
phone: 01284 705 468  
www.livingwoodwindows.co.uk  
sales@livingwoodwindows.co.uk

<b>Livingwood Windows Limited</b>	
Timber 2k Tilt & Turn In Open Cill section of fixed light	
DATE	14/06/2010
SCALE	do not scale



Studio 5 Old School Studios  
 140 Eastgate Street  
 Bury St Edmunds, Suffolk  
 IP33 1XX

phone: 01284 705 468

www.livingwoodwindows.co.uk  
 sales@livingwoodwindows.co.uk

**Livingwood Windows Limited**

Timber 2k Tilt & Turn In Open  
 Head section of pair of Tilt & Turn windows

DATE 14/06/2010

SCALE do not scale