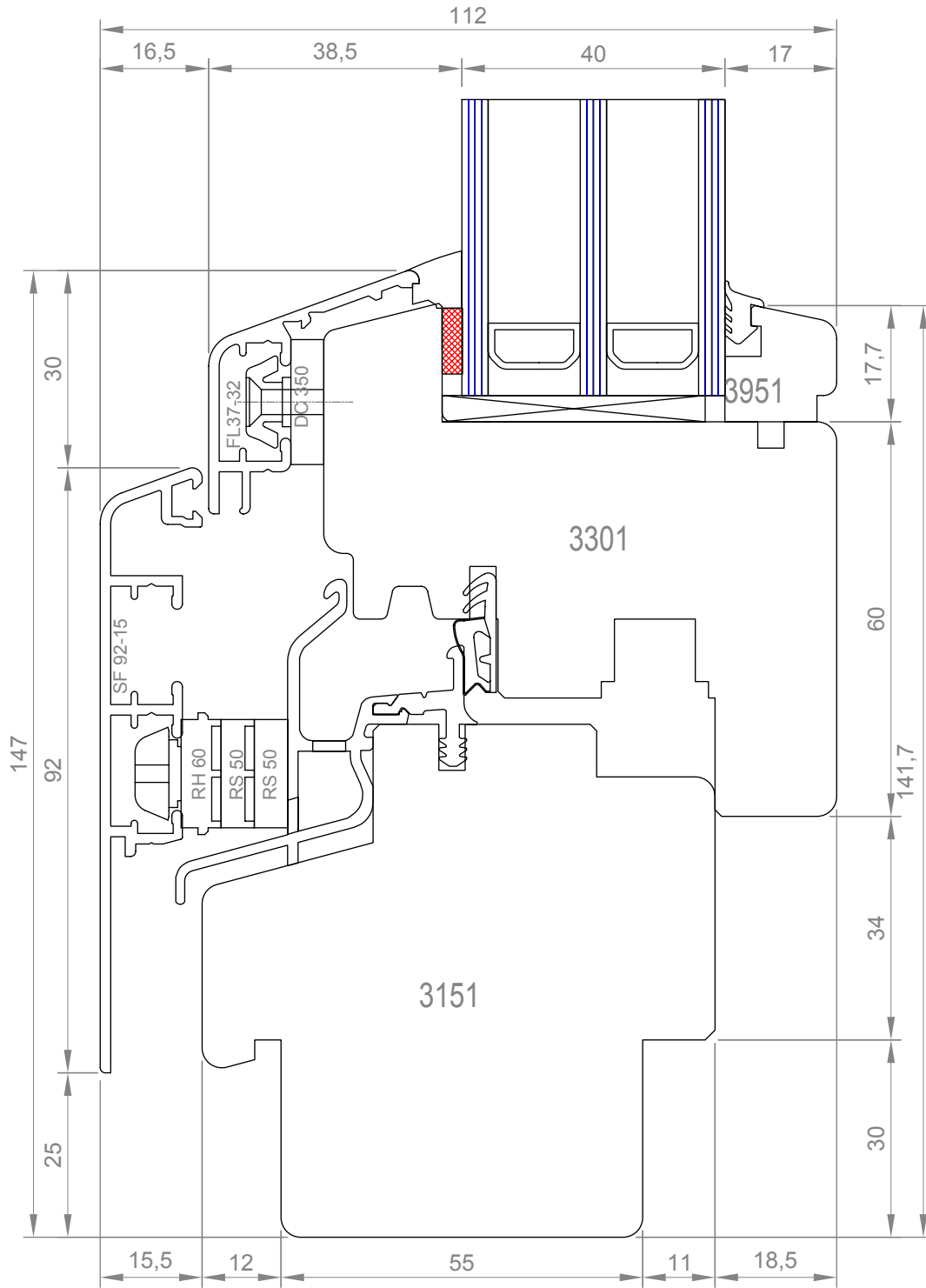


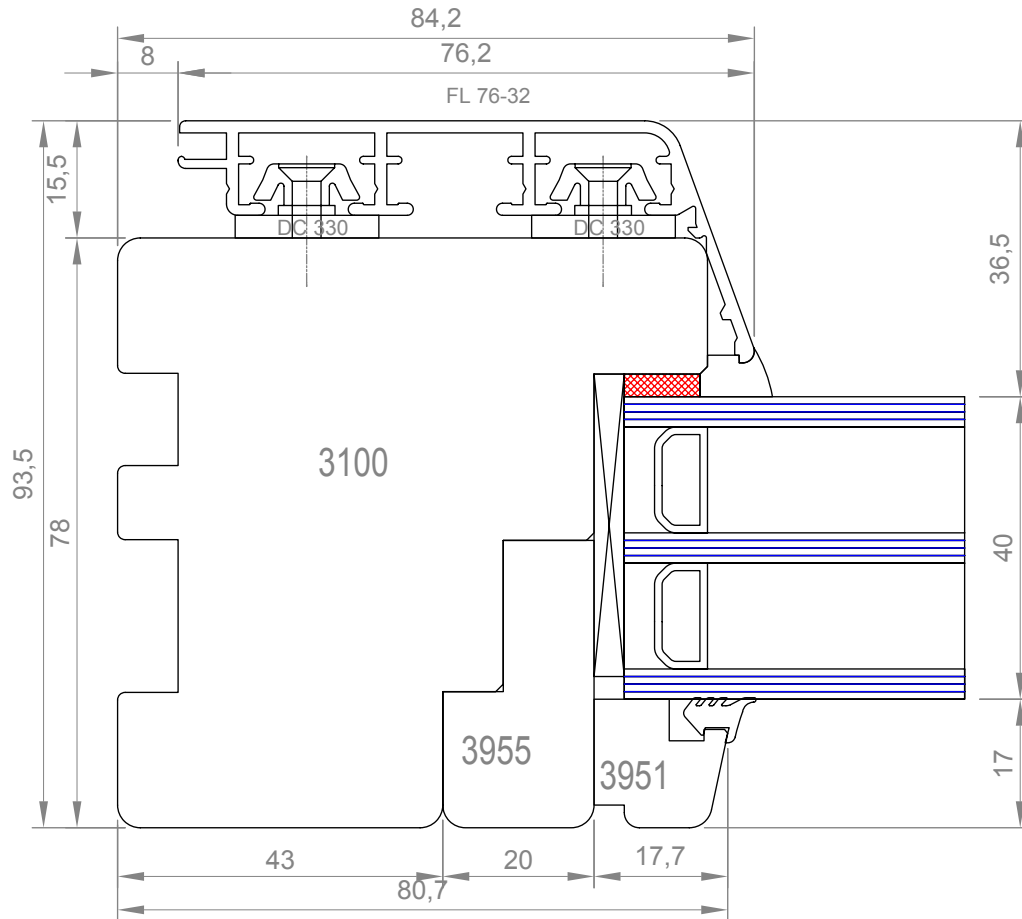
Studio 5 Old School Studios
 140 Eastgate Street
 Bury St Edmunds, Suffolk
 IP33 1XX
 phone: 01284 705 468
 www.livingwoodwindows.co.uk
 sales@livingwoodwindows.co.uk

Livingwood Windows Limited	
Alu Clad Tilt & Turn Treble glazed Jamb Detail	
DATE	14/06/2010
SCALE	do not scale



Studio 5 Old School Studios
 140 Eastgate Street
 Bury St Edmunds, Suffolk
 IP33 1XX
 phone: 01284 705 468
 www.livingwoodwindows.co.uk
 sales@livingwoodwindows.co.uk

Livingwood Windows Limited	
Alu Clad Tilt & Turn Treble glazed Cill Detail	
DATE	14/06/2010
SCALE	do not scale



Studio 5 Old School Studios
 140 Eastgate Street
 Bury St Edmunds, Suffolk
 IP33 1XX

phone: 01284 705 468

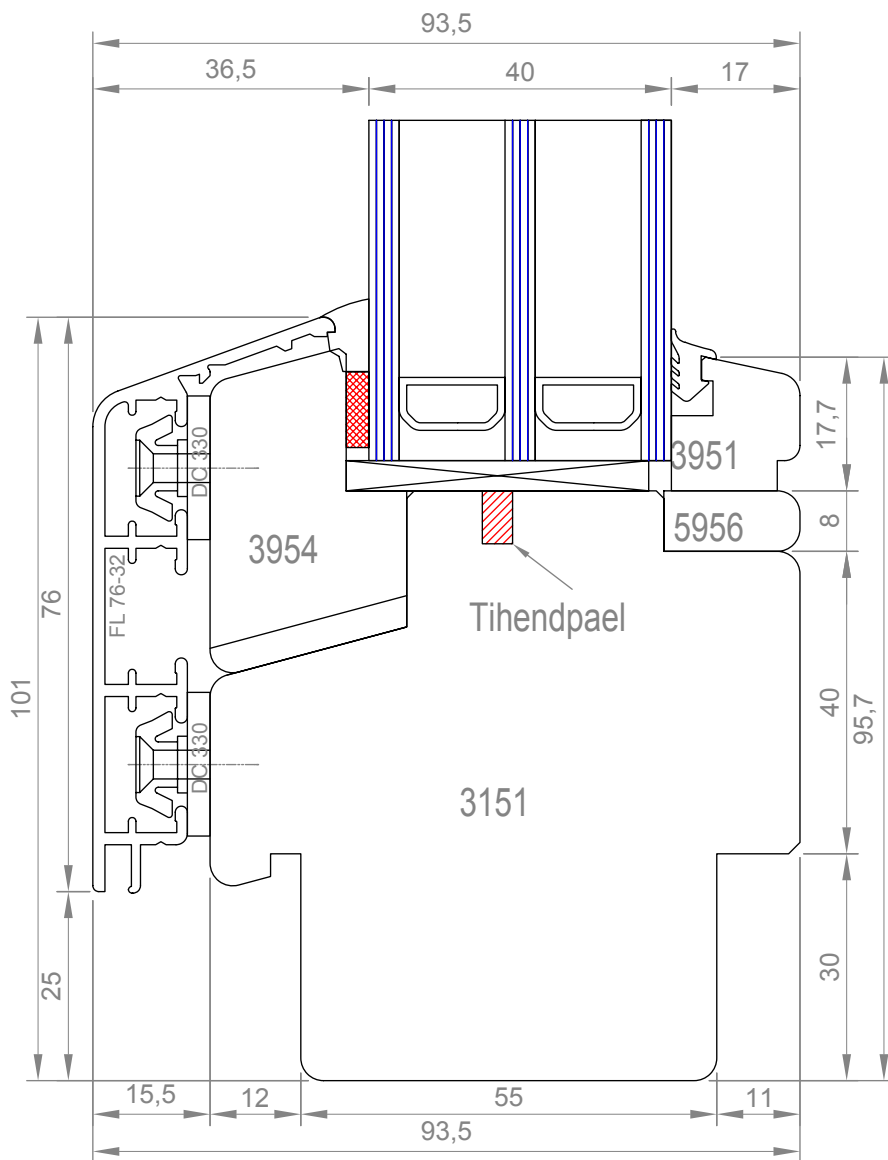
www.livingwoodwindows.co.uk
 sales@livingwoodwindows.co.uk

Livingwood Windows Limited

Alu Clad Tilt & Turn Treble glazed
 Jamb Detail

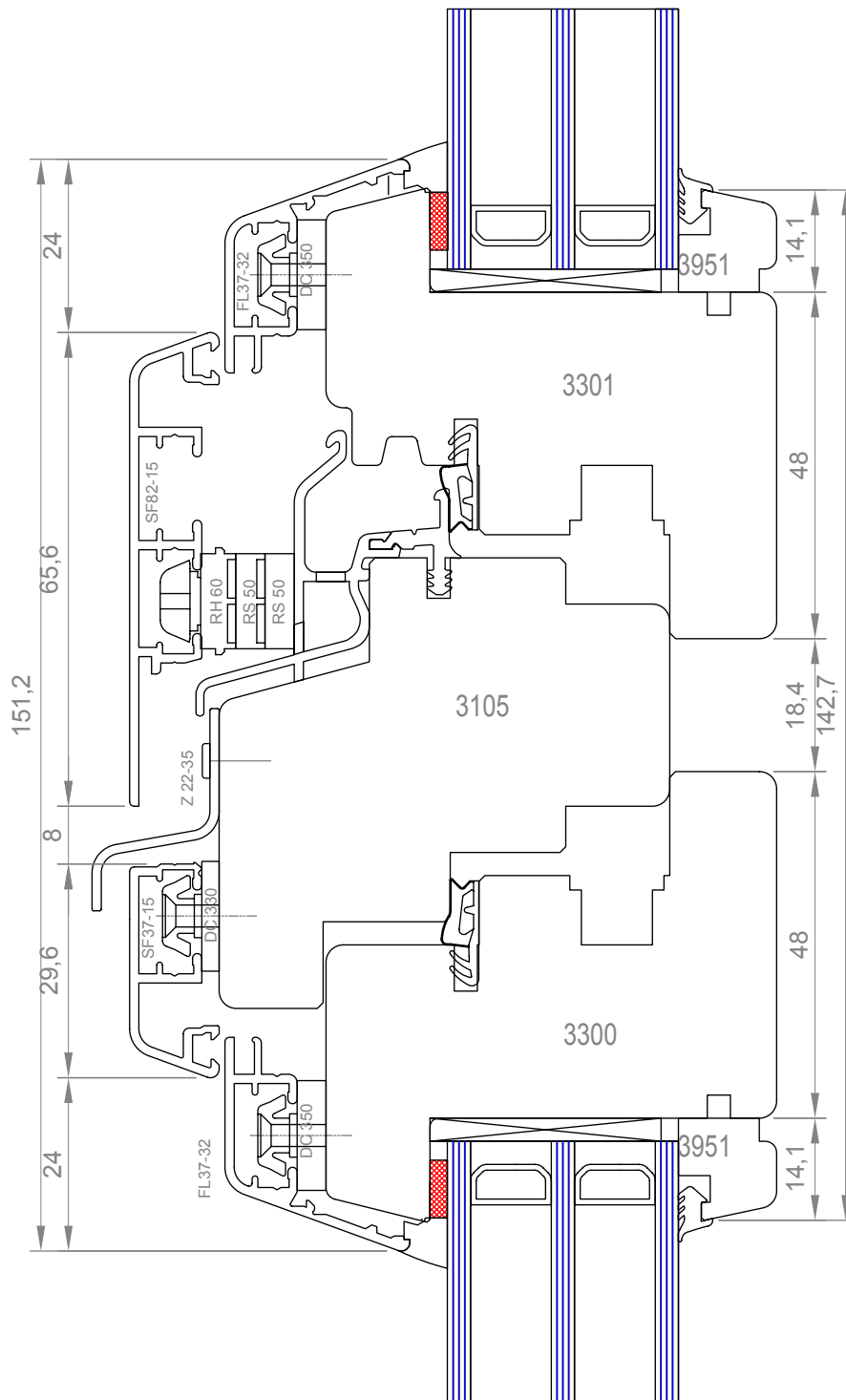
DATE 14/06/2010

SCALE do not scale



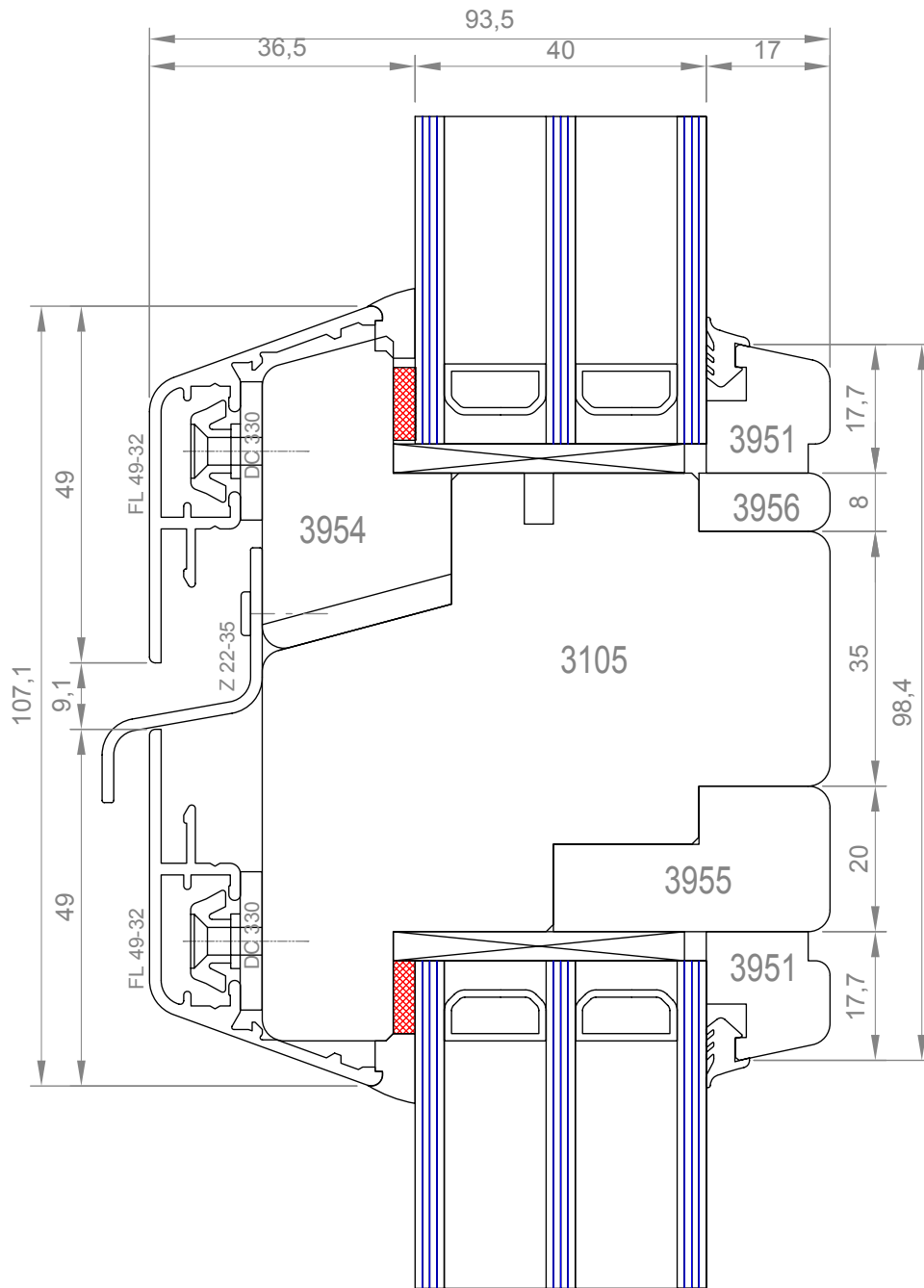
Studio 5 Old School Studios
 140 Eastgate Street
 Bury St Edmunds, Suffolk
 IP33 1XX
 phone: 01284 705 468
 www.livingwoodwindows.co.uk
 sales@livingwoodwindows.co.uk

Livingwood Windows Limited	
Alu Clad Tilt & Turn Treble glazed Alternative Cill Detail	
DATE	14/06/2010
SCALE	do not scale



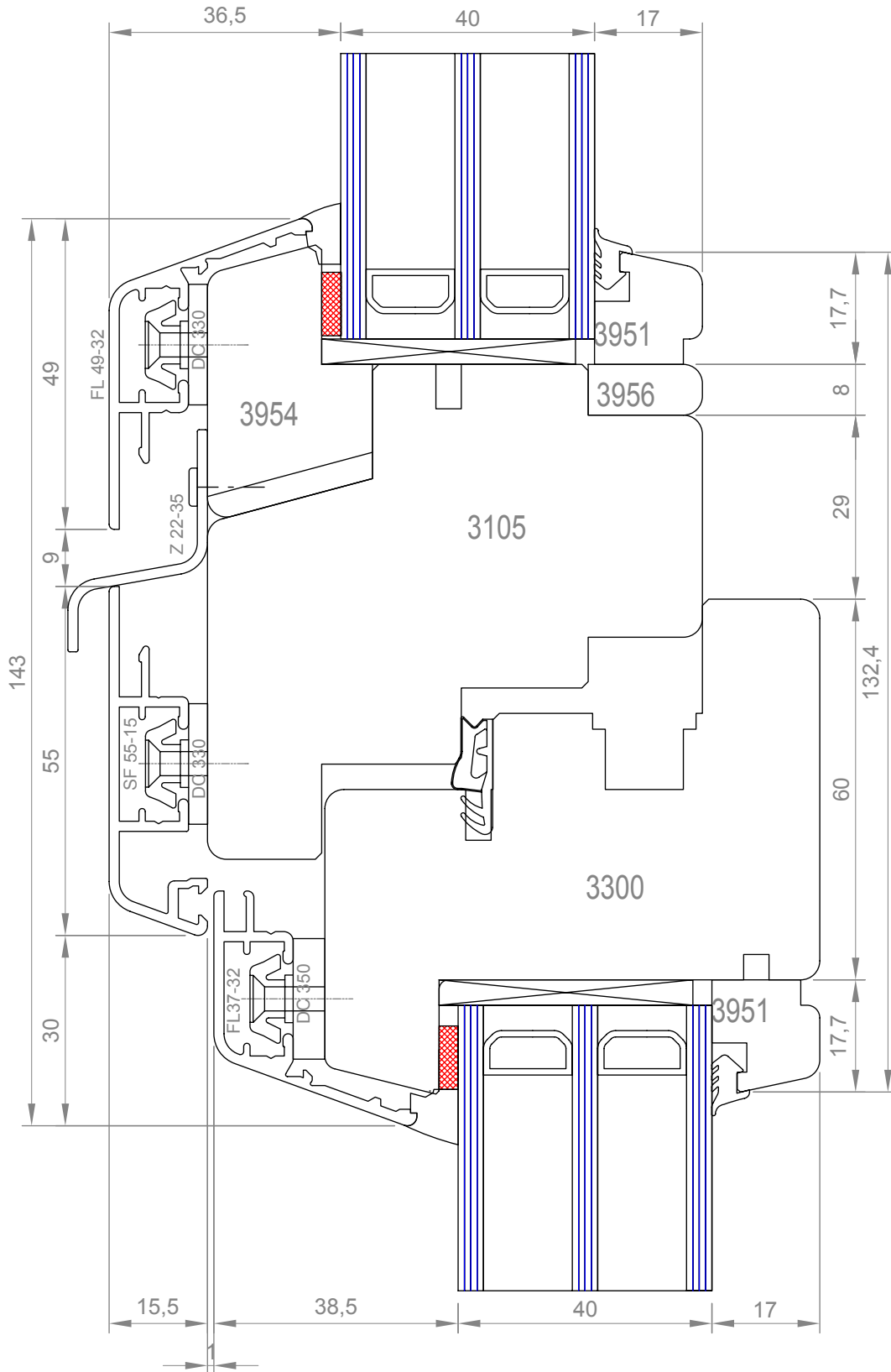
Studio 5 Old School Studios
 140 Eastgate Street
 Bury St Edmunds, Suffolk
 IP33 1XX
 phone: 01284 705 468
 www.livingwoodwindows.co.uk
 sales@livingwoodwindows.co.uk

Livingwood Windows Limited	
Alu Clad Tilt & Turn Treble glazed Structural Transom Detail meeting Opening Lights	
DATE	14/06/2010
SCALE	do not scale



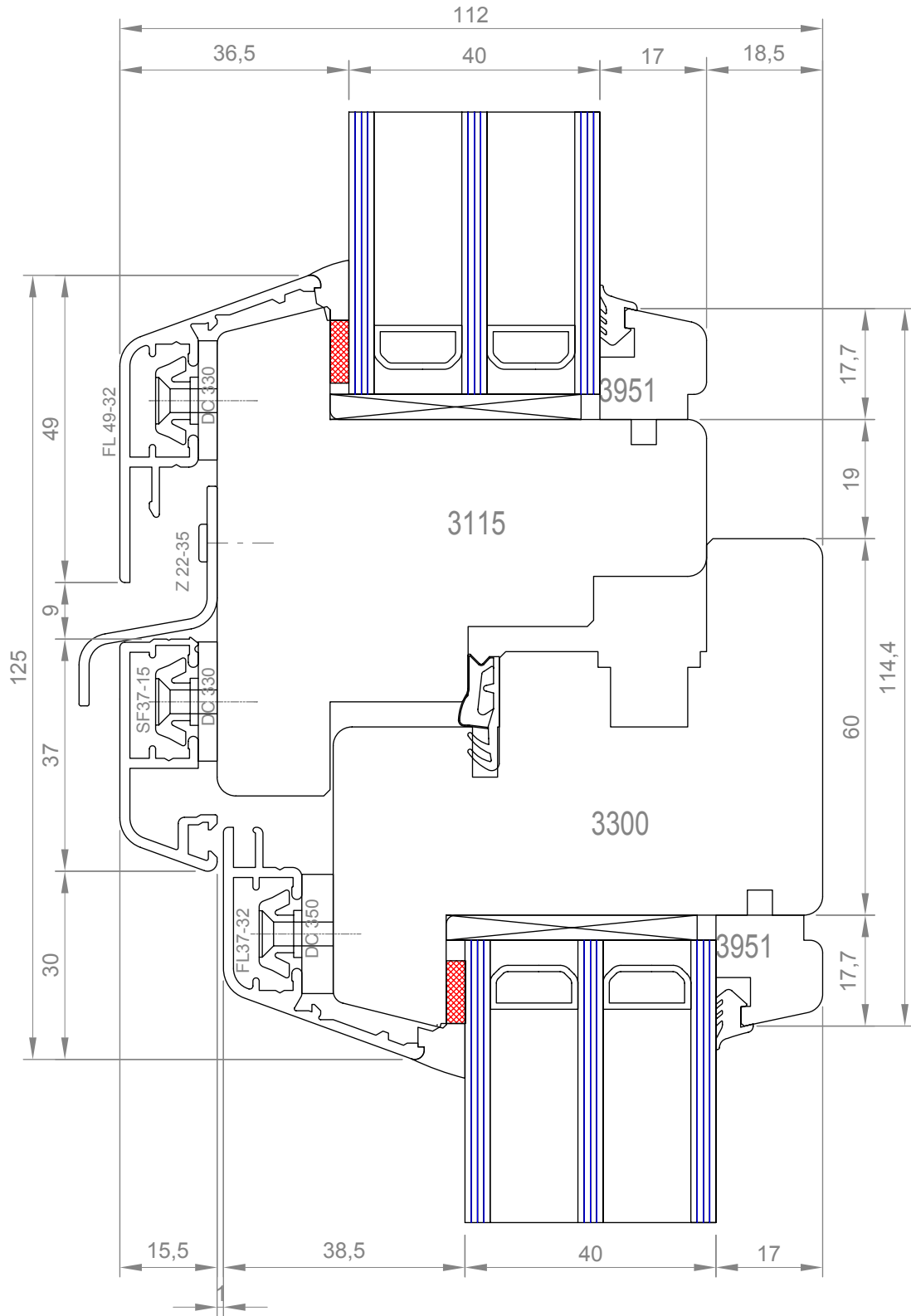
Studio 5 Old School Studios
 140 Eastgate Street
 Bury St Edmunds, Suffolk
 IP33 1XX
 phone: 01284 705 468
 www.livingwoodwindows.co.uk
 sales@livingwoodwindows.co.uk

Livingwood Windows Limited	
Alu Clad Tilt & Turn Treble glazed Structural Transom Meeting Fixed Lights	
DATE	14/06/2010
SCALE	do not scale



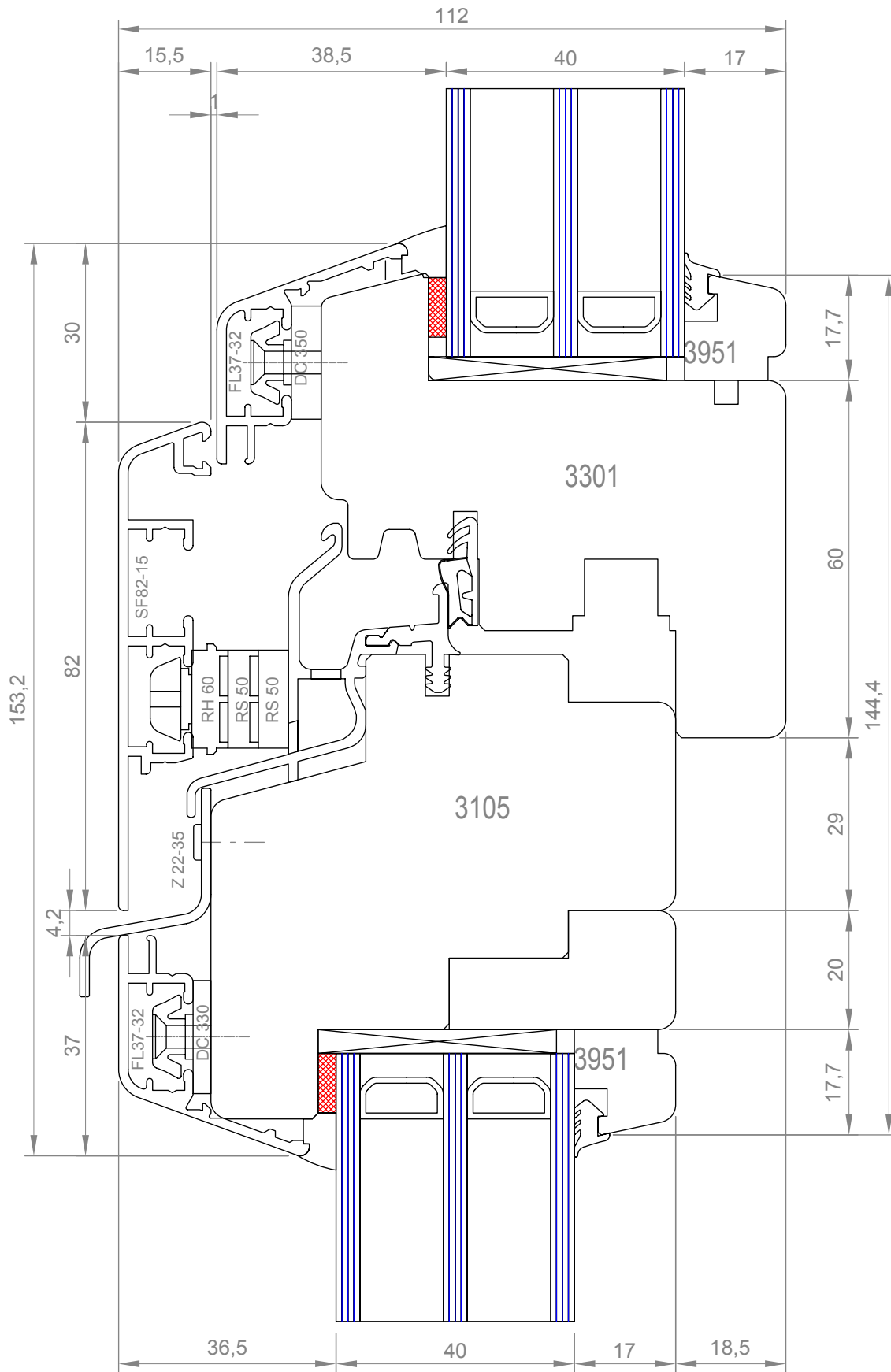
Studio 5 Old School Studios
 140 Eastgate Street
 Bury St Edmunds, Suffolk
 IP33 1XX
 phone: 01284 705 468
 www.livingwoodwindows.co.uk
 sales@livingwoodwindows.co.uk

Livingwood Windows Limited	
Alternative Structural Transom Detail meeting Opening Lights	
DATE	14/06/2010
SCALE	do not scale



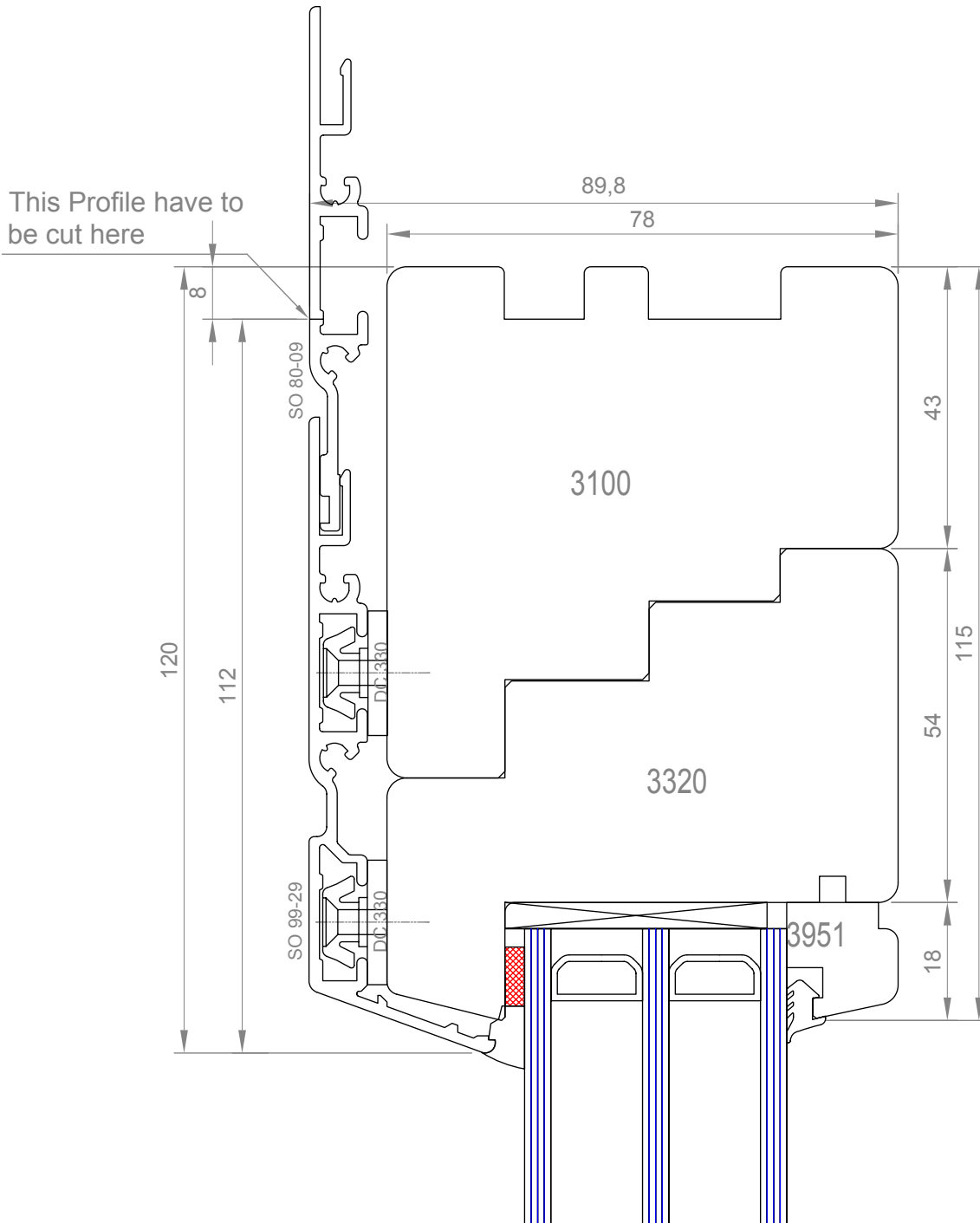
Studio 5 Old School Studios
 140 Eastgate Street
 Bury St Edmunds, Suffolk
 IP33 1XX
 phone: 01284 705 468
 www.livingwoodwindows.co.uk
 sales@livingwoodwindows.co.uk

Livingwood Windows Limited	
Alu Clad Tilt & Turn Treble glazed Tilt & Turn Unit Meeting Fixed Light Above	
DATE	14/06/2010
SCALE	do not scale



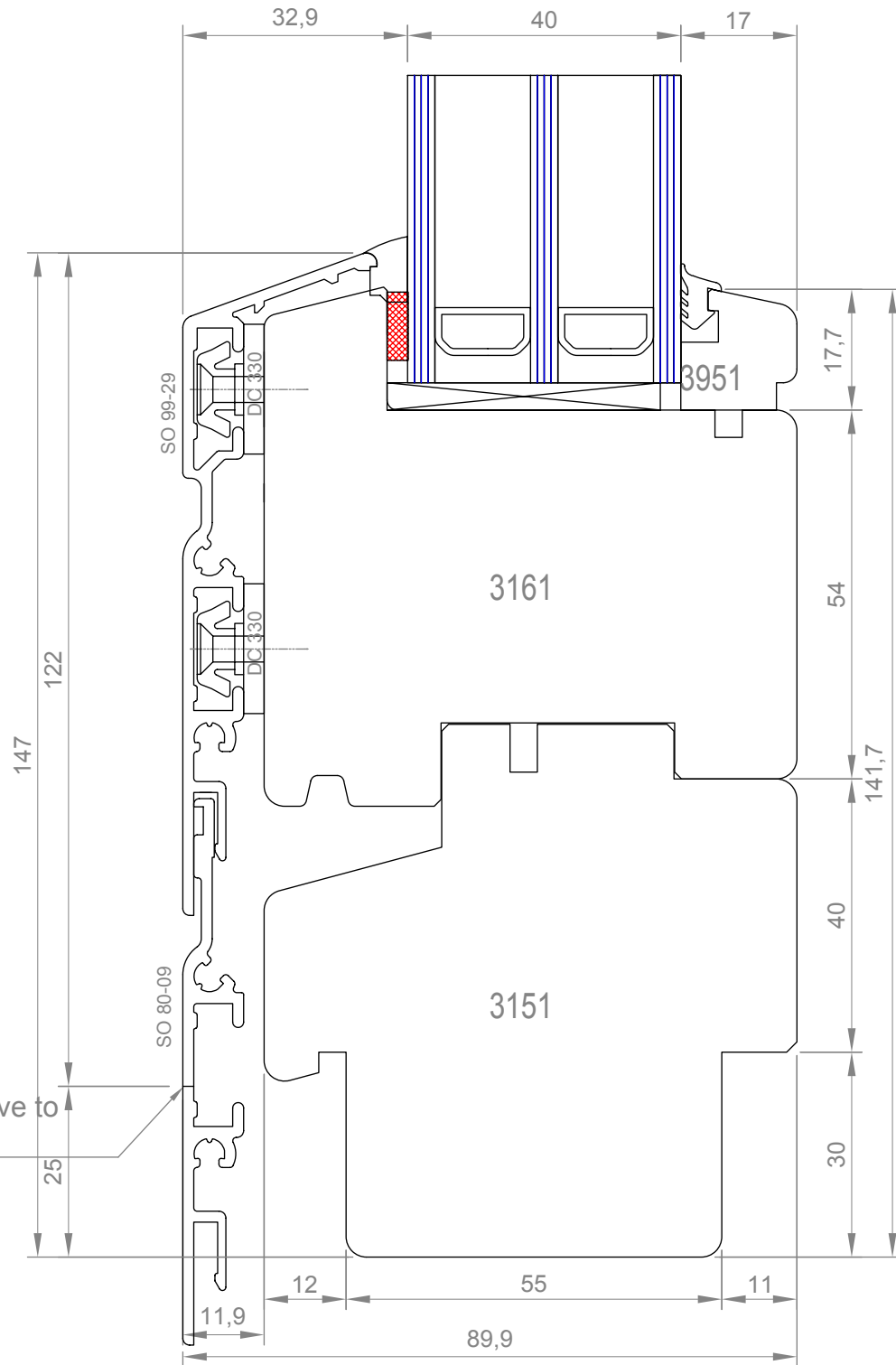
Studio 5 Old School Studios
 140 Eastgate Street
 Bury St Edmunds, Suffolk
 IP33 1XX
 phone: 01284 705 468
 www.livingwoodwindows.co.uk
 sales@livingwoodwindows.co.uk

Livingwood Windows Limited	
Alu Clad Tilt & Turn Treble glazed Tilt & Turn Unit Meeting Fixed Light Below	
DATE	14/06/2010
SCALE	do not scale



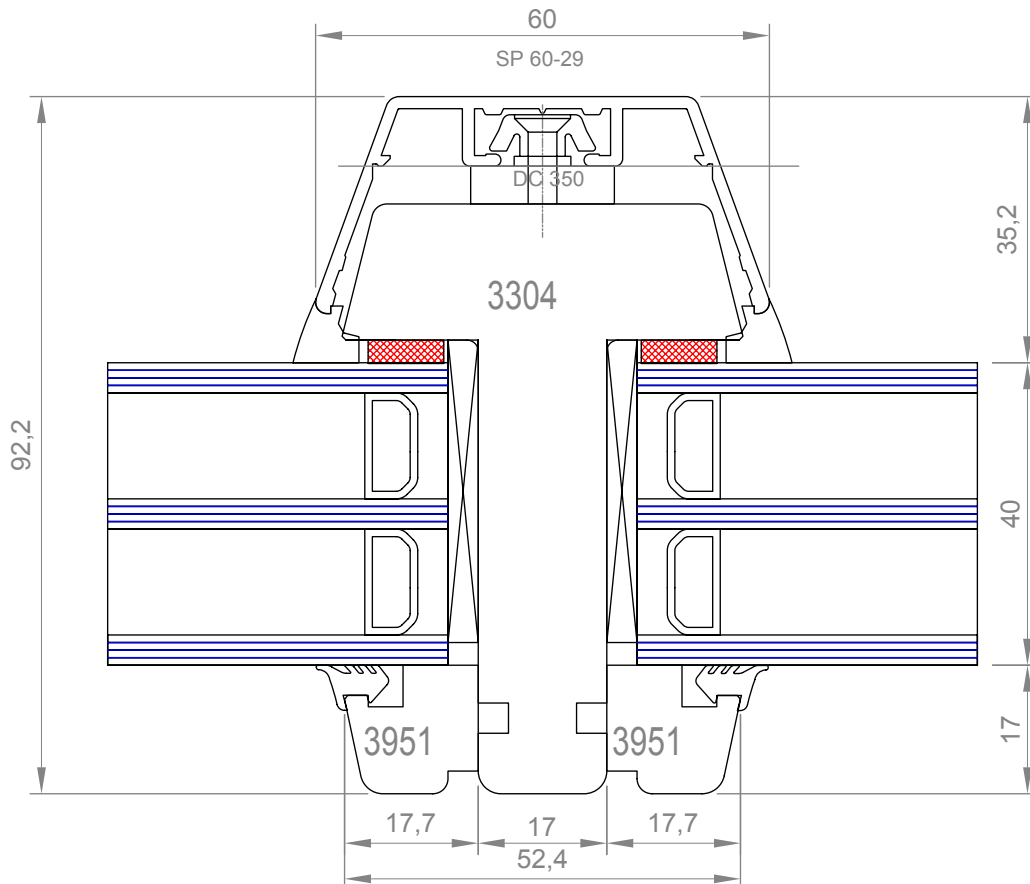
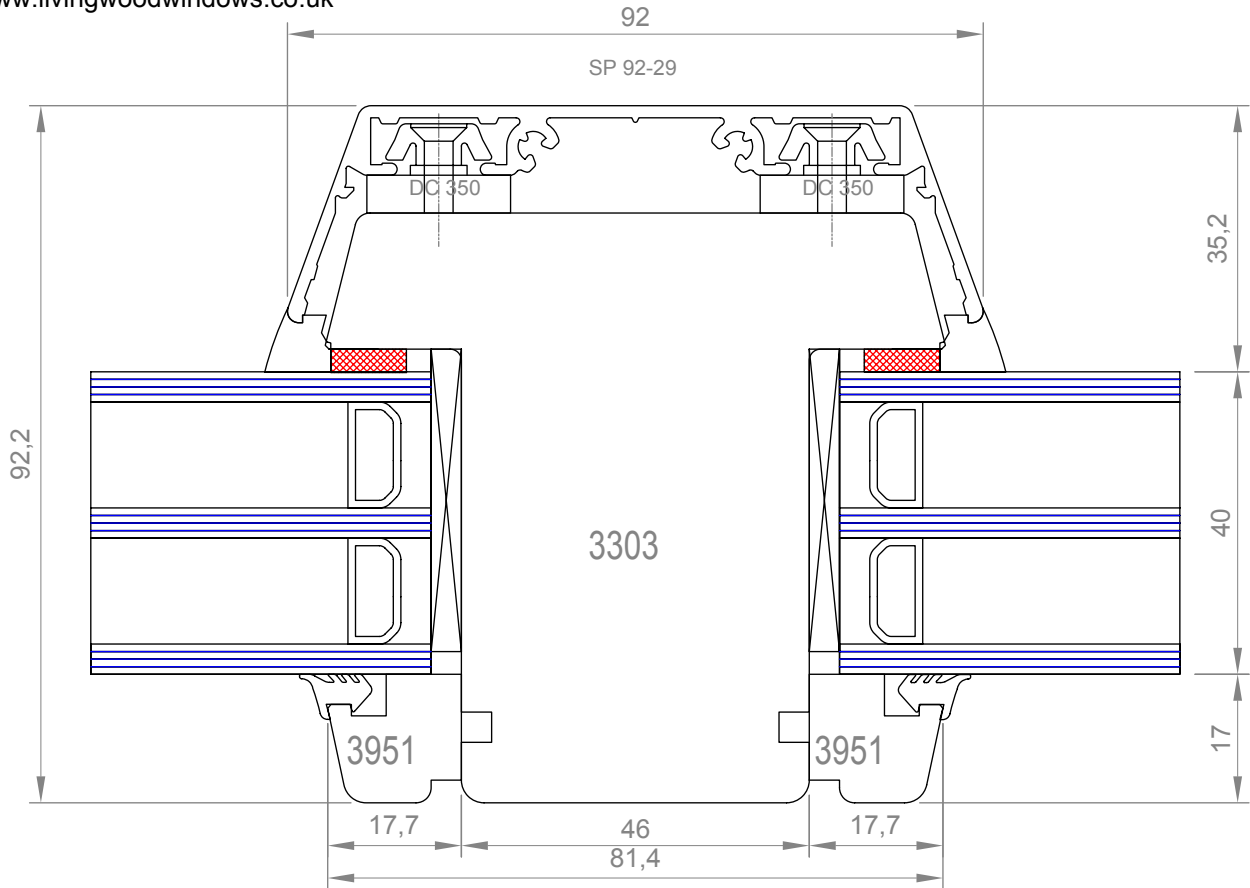
Studio 5 Old School Studios
 140 Eastgate Street
 Bury St Edmunds, Suffolk
 IP33 1XX
 phone: 01284 705 468
 www.livingwoodwindows.co.uk
 sales@livingwoodwindows.co.uk

Livingwood Windows Limited	
Alu Clad Tilt & Turn Treble glazed Head Section of Dummy Fixed Sash	
DATE	14/06/2010
SCALE	do not scale



Studio 5 Old School Studios
 140 Eastgate Street
 Bury St Edmunds, Suffolk
 IP33 1XX
 phone: 01284 705 468
 www.livingwoodwindows.co.uk
 sales@livingwoodwindows.co.uk

Livingwood Windows Limited	
Alu Clad Tilt & Turn Treble glazed Cill Section of Dummy Fixed Sash	
DATE	14/06/2010
SCALE	do not scale



Studio 5 Old School Studios
140 Eastgate Street
Bury St Edmunds, Suffolk
IP33 1XX

phone: 01284 705 468

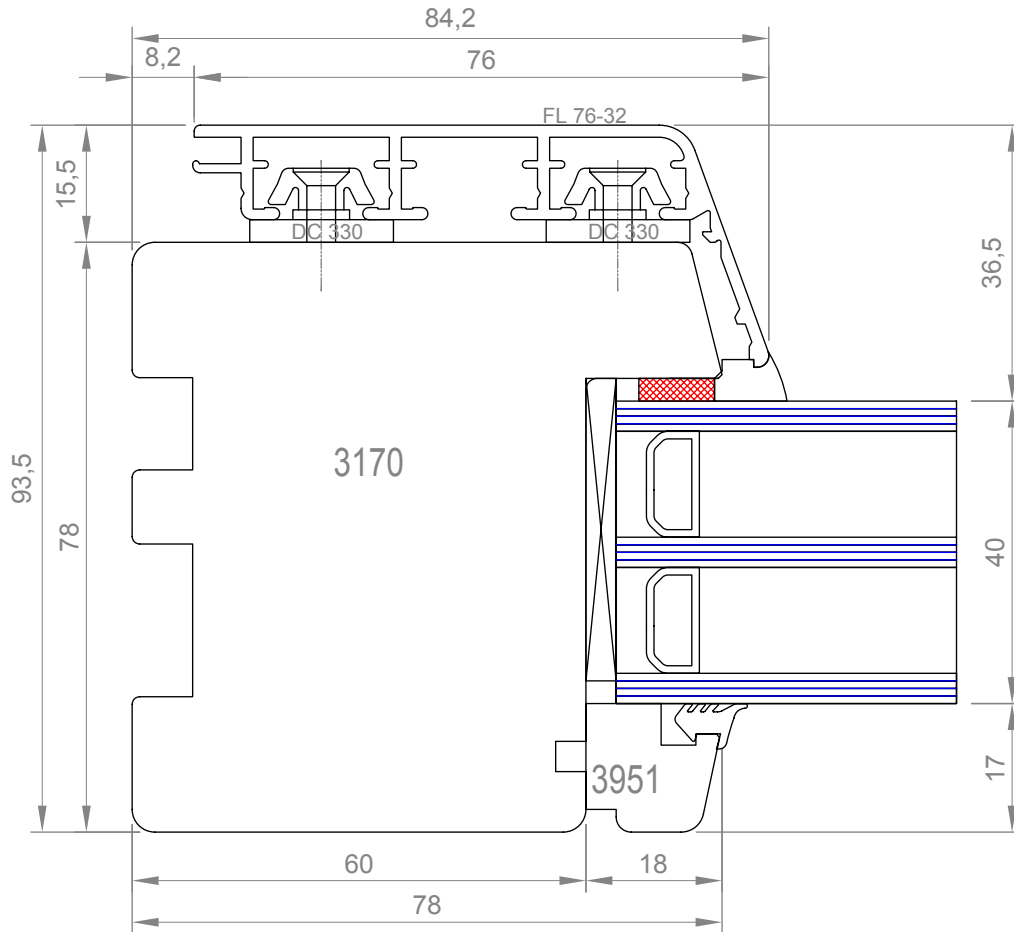
www.livingwoodwindows.co.uk
sales@livingwoodwindows.co.uk

Livingwood Windows Limited

Alu Clad Tilt & Turn Treble glazed
60 & 92mm Structural Glazing Bars

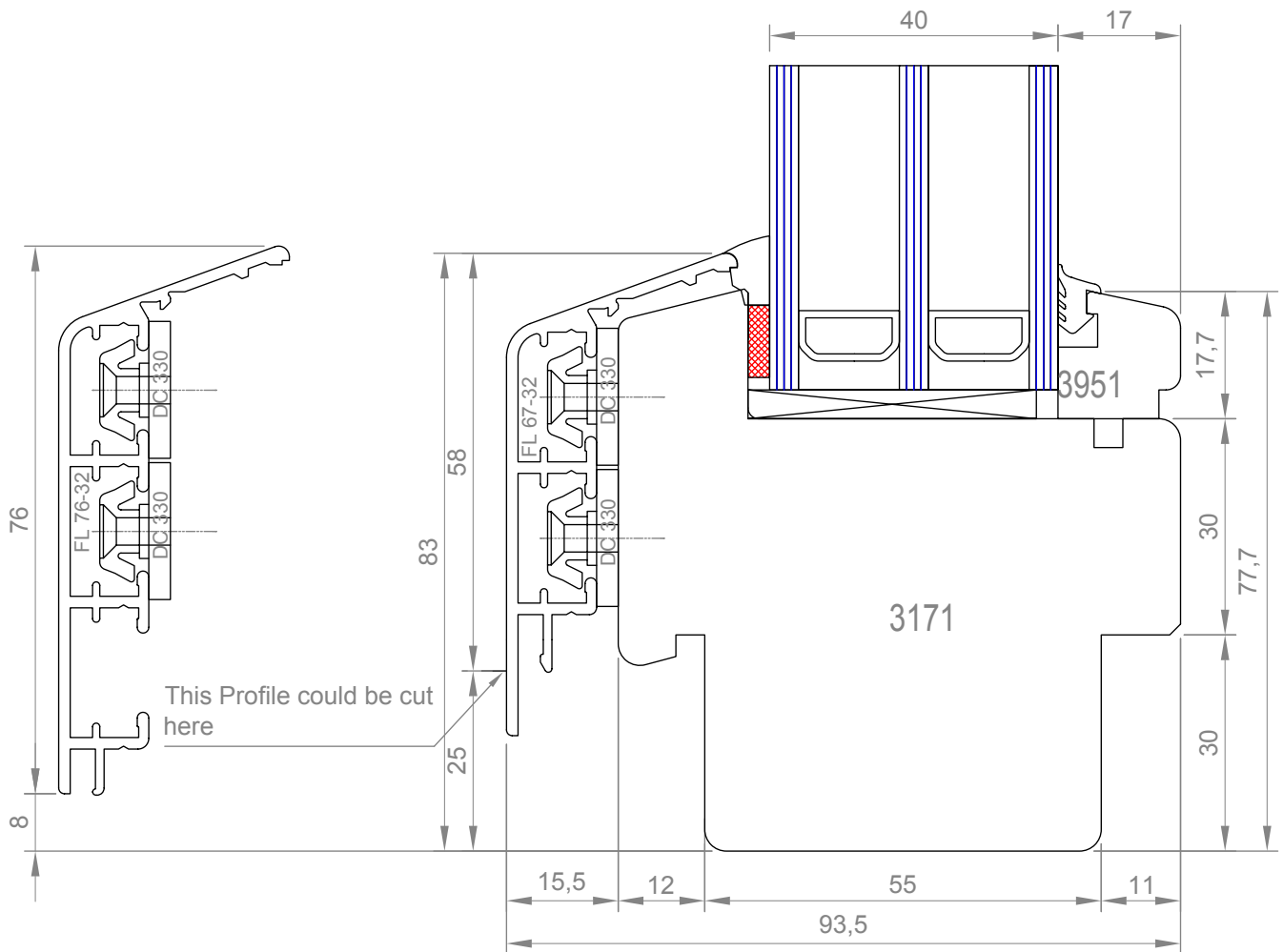
DATE 14/06/2010

SCALE do not scale



Studio 5 Old School Studios
 140 Eastgate Street
 Bury St Edmunds, Suffolk
 IP33 1XX
 phone: 01284 705 468
 www.livingwoodwindows.co.uk
 sales@livingwoodwindows.co.uk

Livingwood Windows Limited	
Alu Clad Tilt & Turn Treble glazed Alternative Jamb Section of Fixed Light	
DATE	14/06/2010
SCALE	do not scale



Studio 5 Old School Studios
 140 Eastgate Street
 Bury St Edmunds, Suffolk
 IP33 1XX

phone: 01284 705 468

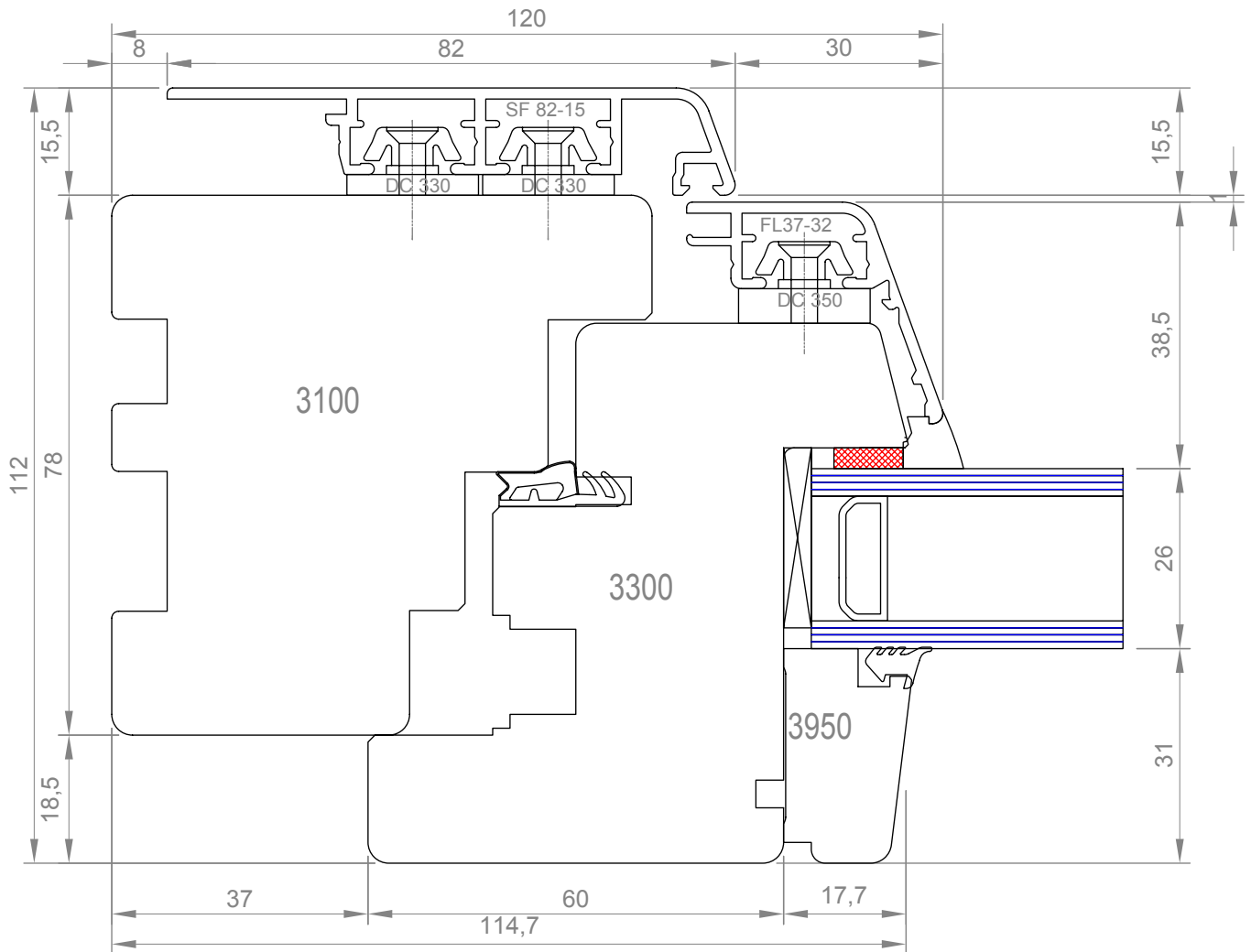
www.livingwoodwindows.co.uk
 sales@livingwoodwindows.co.uk

Livingwood Windows Limited

Alu Clad Tilt & Turn Treble glazed
 Alternative Aluminium Cill Profiles 76 and 83mm

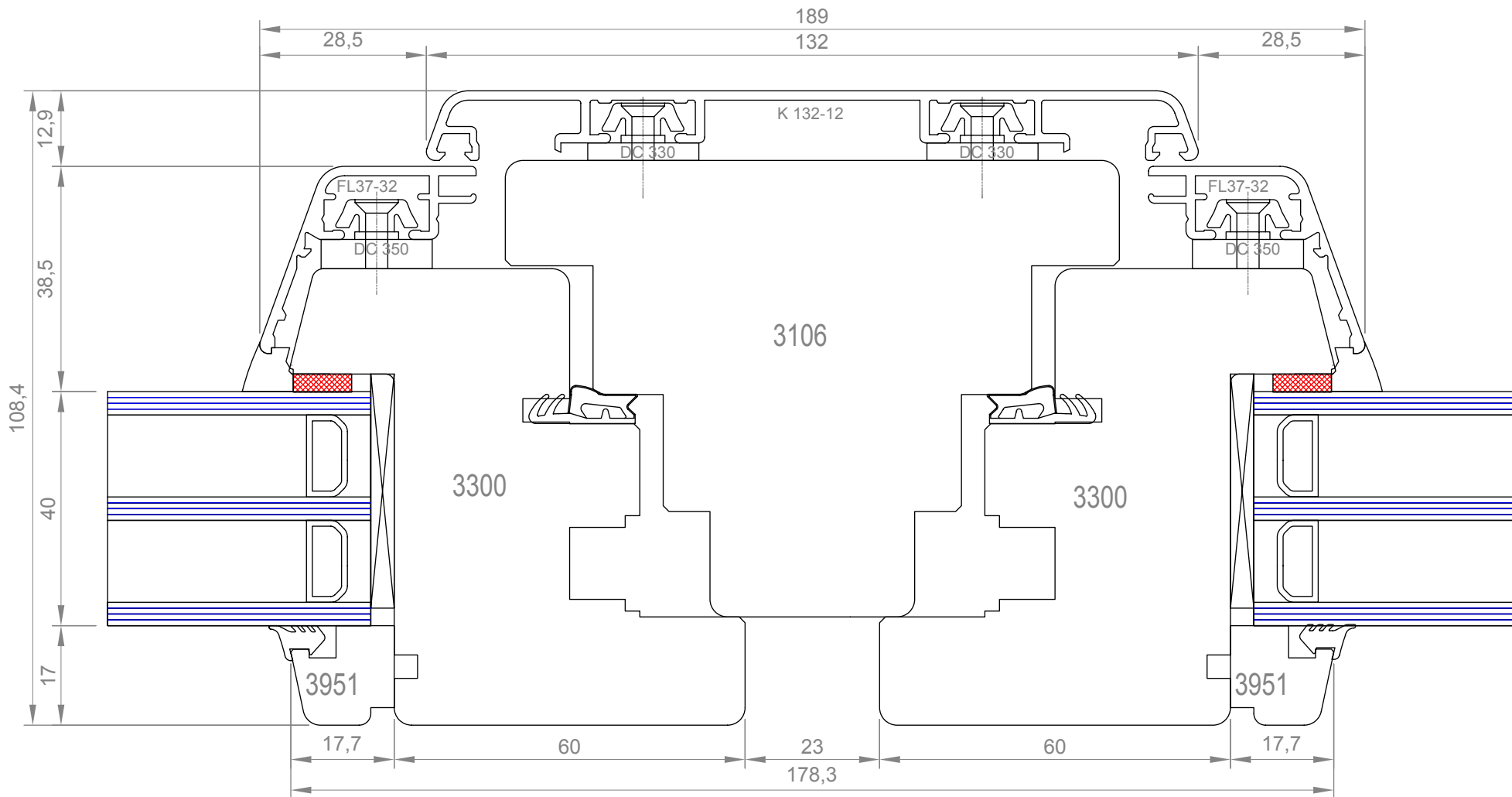
DATE 14/06/2010

SCALE do not scale



Studio 5 Old School Studios
 140 Eastgate Street
 Bury St Edmunds, Suffolk
 IP33 1XX
 phone: 01284 705 468
 www.livingwoodwindows.co.uk
 sales@livingwoodwindows.co.uk

Livingwood Windows Limited	
Alu Clad Tilt & Turn Treble glazed Jamb Section of Tilt & Turn Unit, Double Glazed	
DATE	14/06/2010
SCALE	do not scale



Studio 5 Old School Studios
 140 Eastgate Street
 Bury St Edmunds, Suffolk
 IP33 1XX

phone: 01284 705 468

www.livingwoodwindows.co.uk
 sales@livingwoodwindows.co.uk

Livingwood Windows Limited

Alu Clad Tilt & Turn Treble glazed, 189mm Structural Mullion meeting Tilt & Turn Opening Lights

DATE 14/06/2010

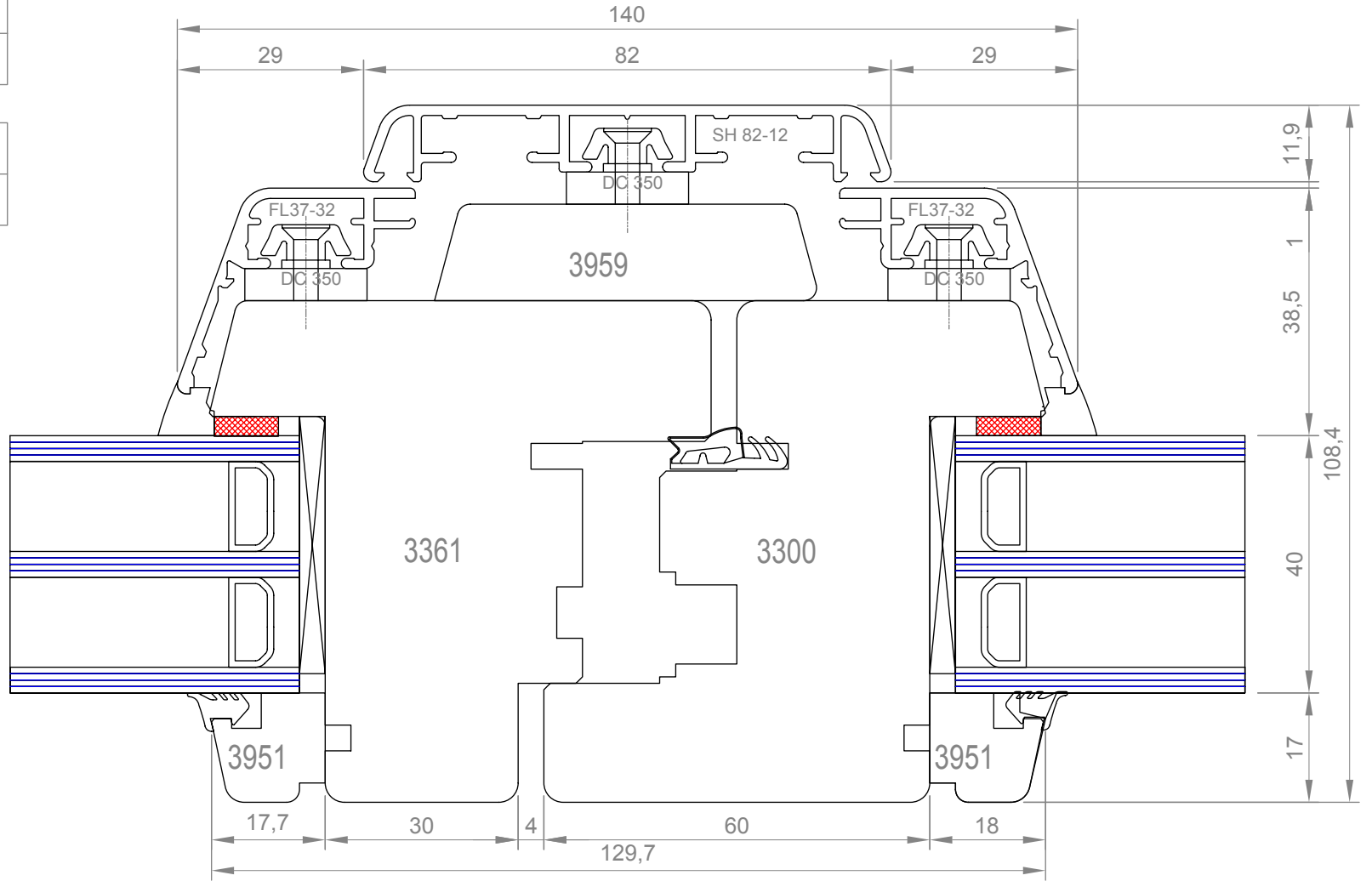
SCALE do not scale

ENS 8212W weiß
VE 100 Stk.

ENS 8212B braun
VE 100 Stk.

(für Stulpleisten-
profil SL 82-12)

ALTO NOVA



Studio 5 Old School Studios
140 Eastgate Street
Bury St Edmunds, Suffolk
IP33 1XX

phone: 01284 705 468

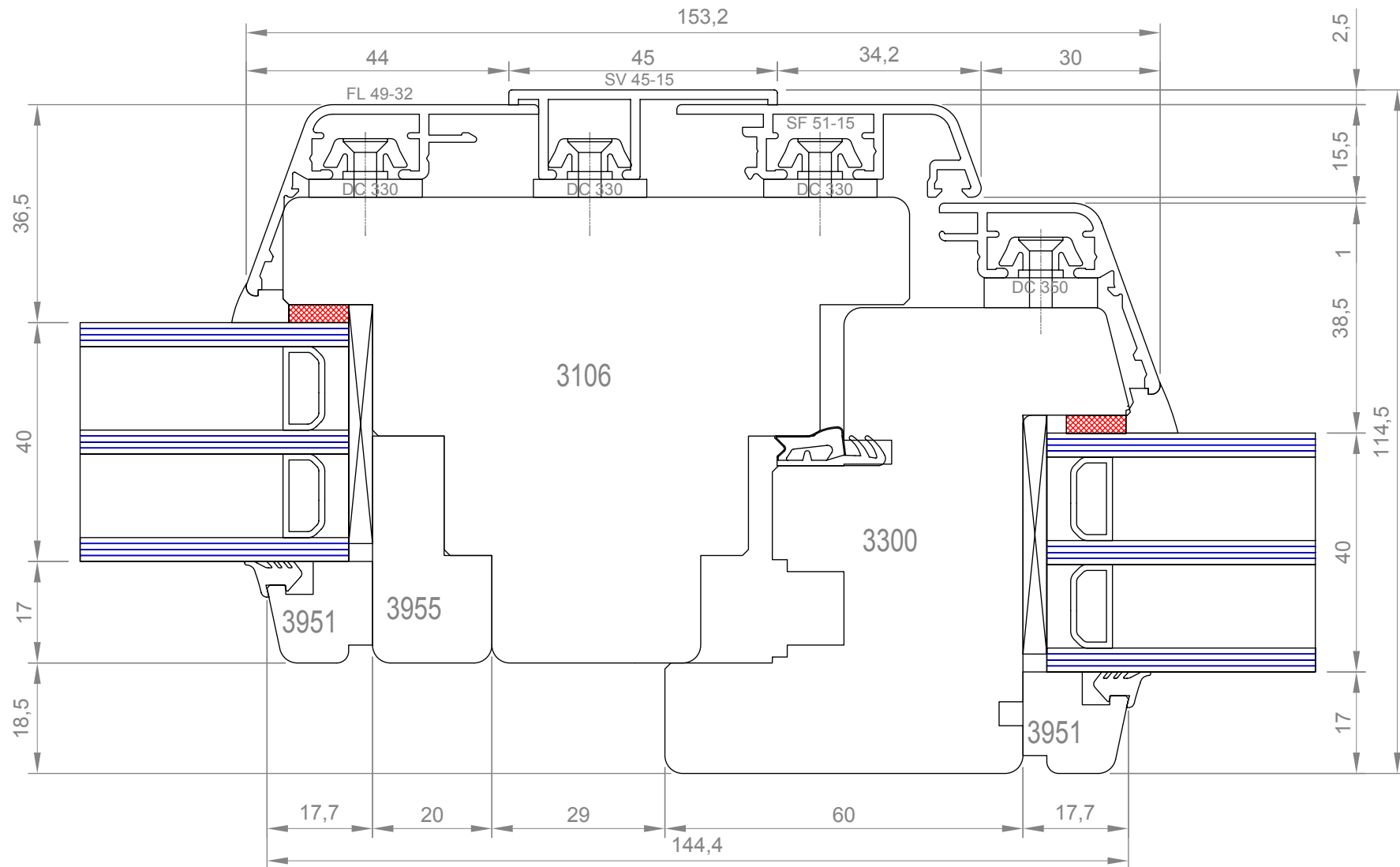
www.livingwoodwindows.co.uk
sales@livingwoodwindows.co.uk

Livingwood Windows Limited

Alu Clad Tilt & Turn Treble glazed
140mm Flying Mullion

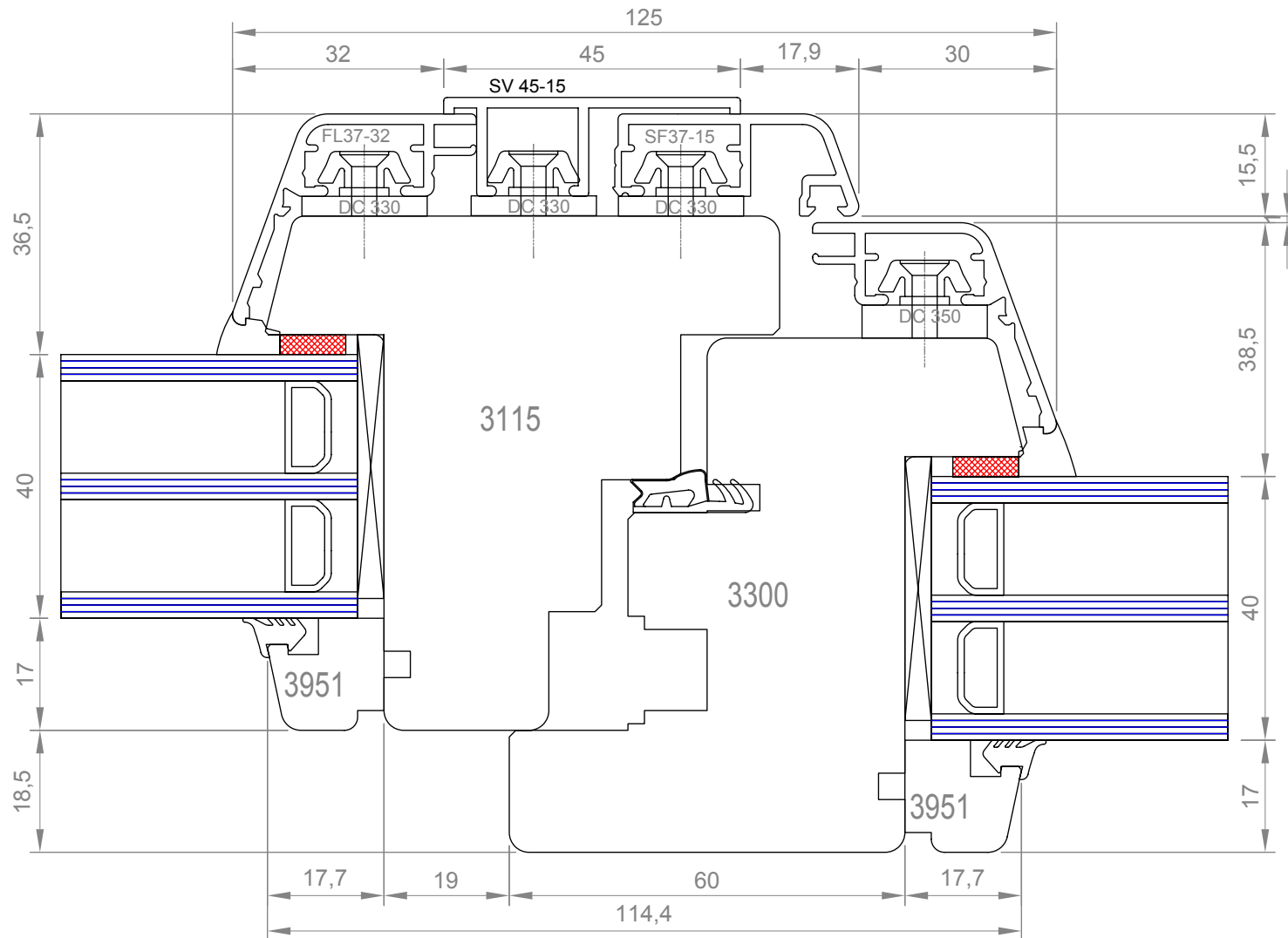
DATE 14/06/2010

SCALE do not scale



Studio 5 Old School Studios
 140 Eastgate Street
 Bury St Edmunds, Suffolk
 IP33 1XX
 phone: 01284 705 468
 www.livingwoodwindows.co.uk
 sales@livingwoodwindows.co.uk

Livingwood Windows Limited	
Alu Clad Tilt & Turn Treble glazed, 153.2mm Mullion, Fixed Light Meeting Tilt & Turn Opener	
DATE	14/06/2010
SCALE	do not scale



Studio 5 Old School Studios
 140 Eastgate Street
 Bury St Edmunds, Suffolk
 IP33 1XX
 phone: 01284 705 468
 www.livingwoodwindows.co.uk
 sales@livingwoodwindows.co.uk

Livingwood Windows Limited	
Alu Clad Tilt & Turn Treble glazed, 125mm Mullion, Fixed Light Meeting Tilt & Turn Opener	
DATE	14/06/2010
SCALE	do not scale