

Studio 5 Old School Studios  
 140 Eastgate Street  
 Bury St Edmunds, Suffolk  
 IP33 1XX

phone: 01284 705 468

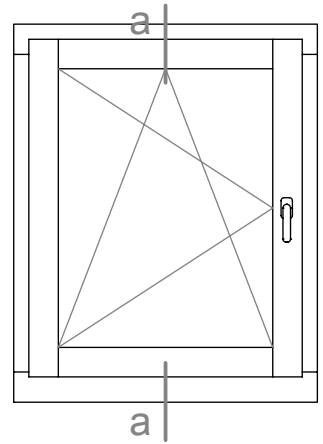
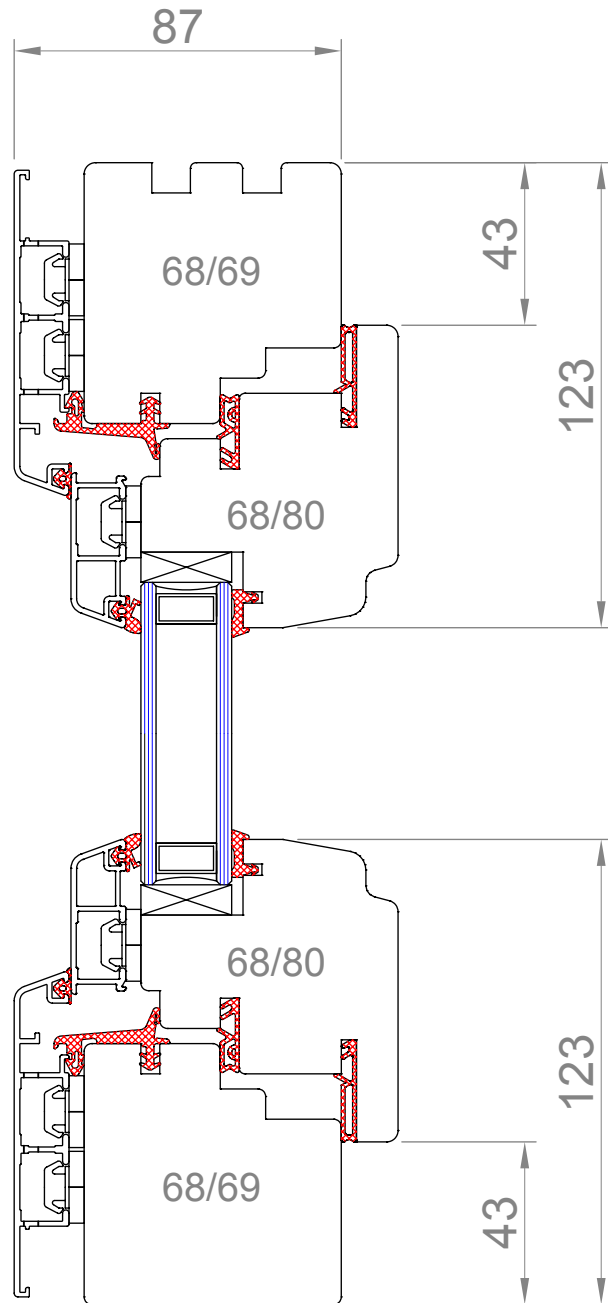
www.livingwoodwindows.co.uk  
 sales@livingwoodwindows.co.uk

**Livingwood Windows Limited**

Marconi Alu clad iv68 tilt & turn 2k  
 54mm head and cill detail

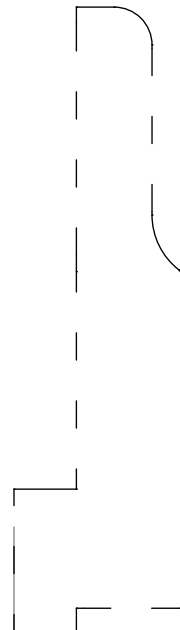
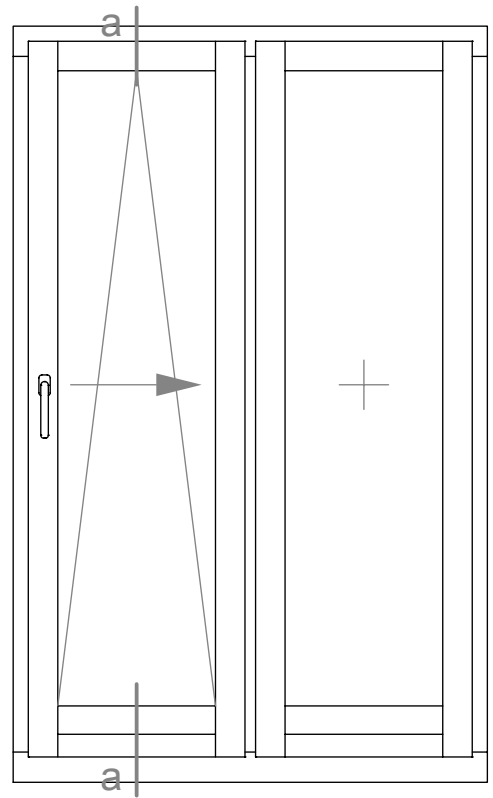
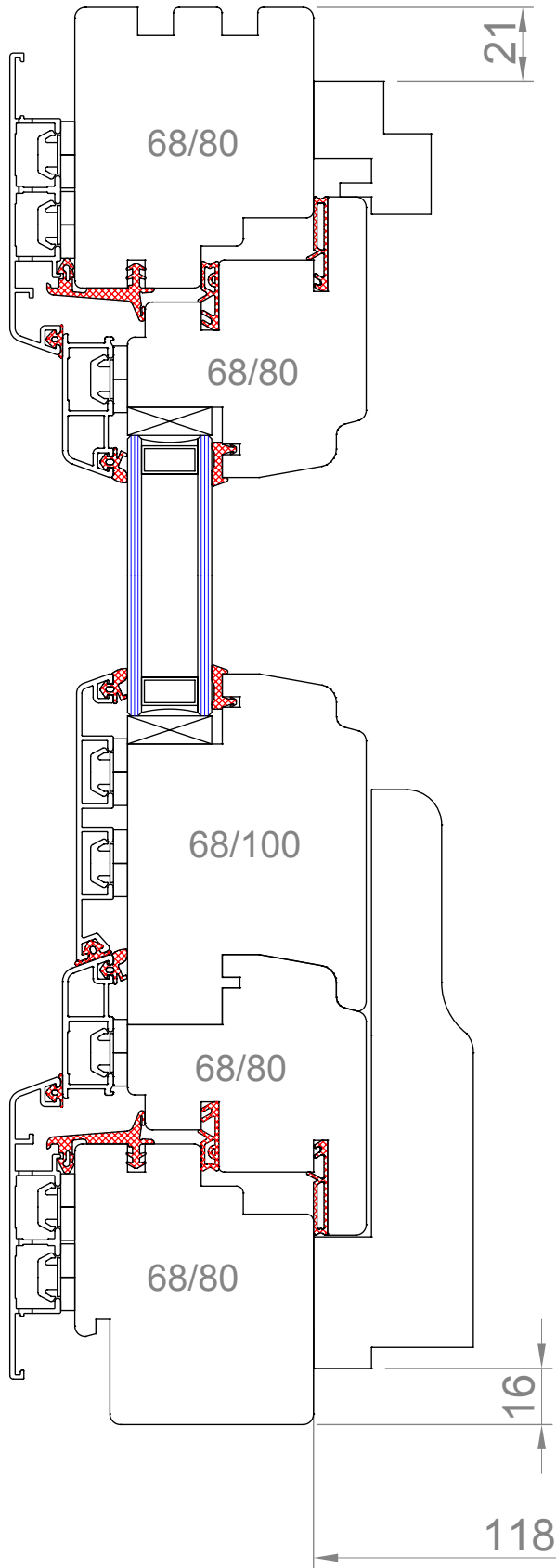
DATE 14/06/2010

SCALE do not scale



Studio 5 Old School Studios  
 140 Eastgate Street  
 Bury St Edmunds, Suffolk  
 IP33 1XX  
 phone: 01284 705 468  
 www.livingwoodwindows.co.uk  
 sales@livingwoodwindows.co.uk

<b>Livingwood Windows Limited</b>	
Marconi Alu clad iv68 tilt & turn 2k 43mm head and cill detail	
DATE	14/06/2010
SCALE	do not scale



Studio 5 Old School Studios  
 140 Eastgate Street  
 Bury St Edmunds, Suffolk  
 IP33 1XX

phone: 01284 705 468

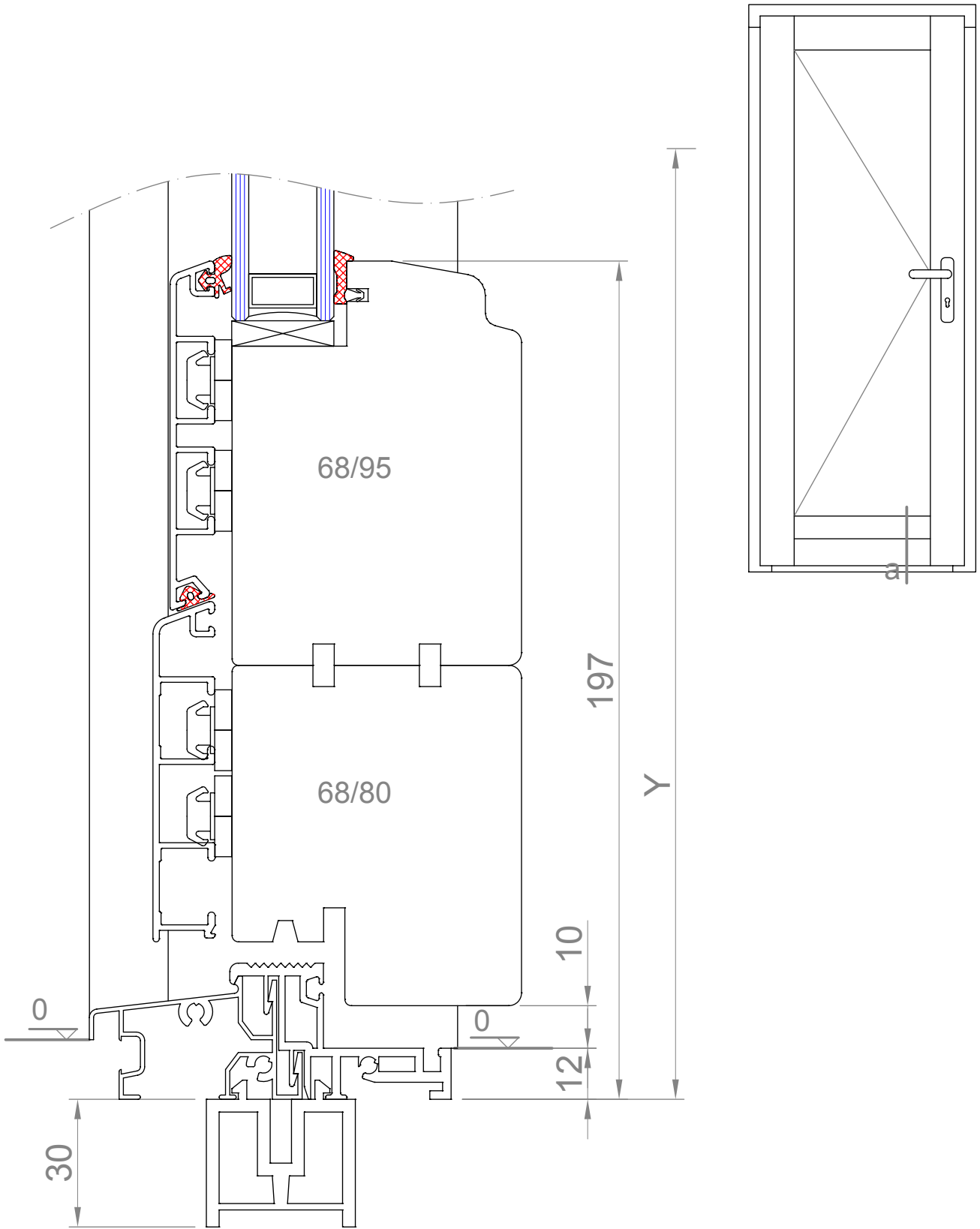
www.livingwoodwindows.co.uk  
 sales@livingwoodwindows.co.uk

**Livingwood Windows Limited**

Marconi alu clad iv68 tilt & turn 2k  
 Tilt slide door head and cill detail

DATE 14/06/2010

SCALE do not scale



Studio 5 Old School Studios  
 140 Eastgate Street  
 Bury St Edmunds, Suffolk  
 IP33 1XX

phone: 01284 705 468

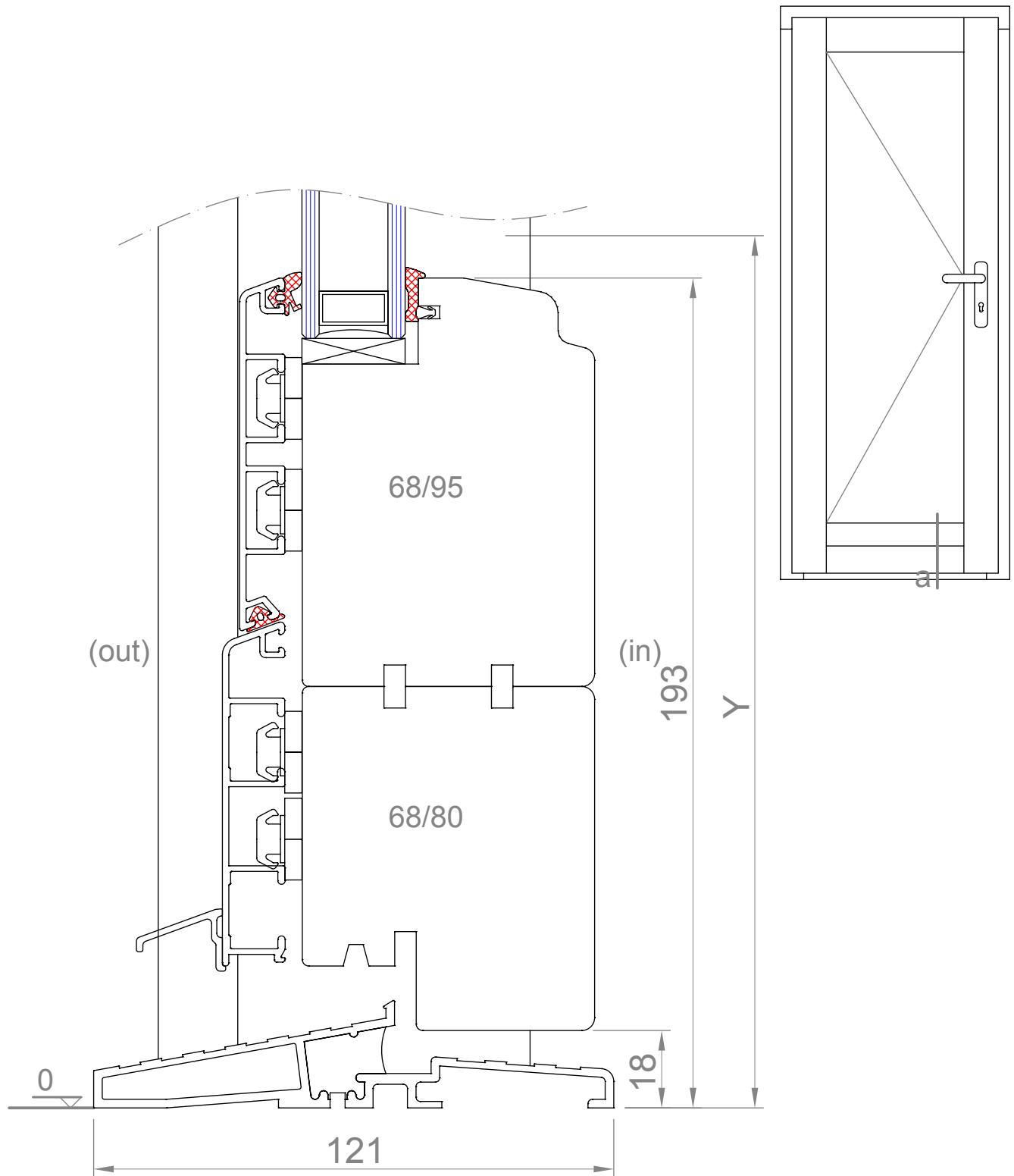
www.livingwoodwindows.co.uk  
 sales@livingwoodwindows.co.uk

**Livingwood Windows Limited**

Marconi alu clad iv68 In open 2k  
 Side hung in open entrance door alu threshold detail

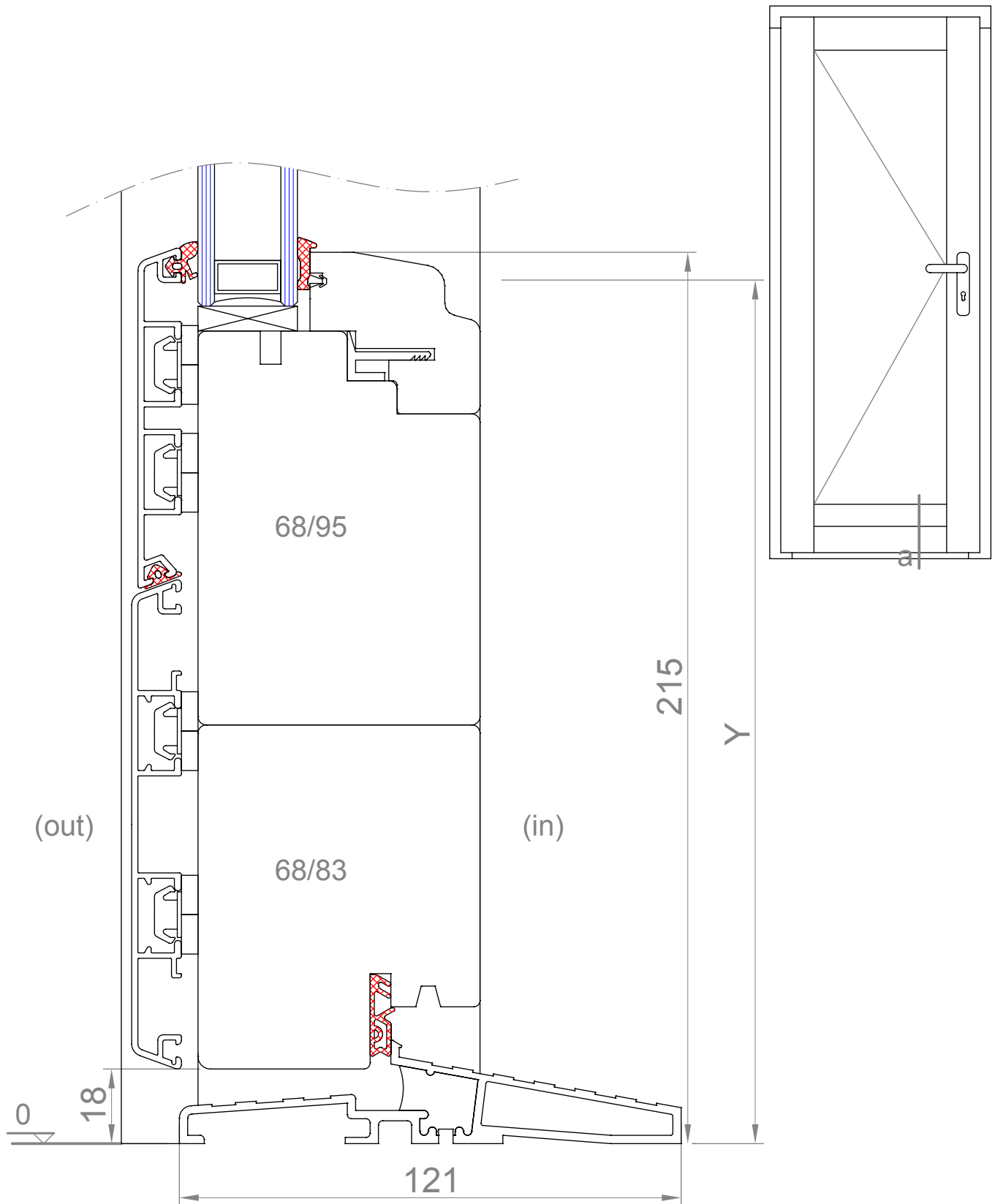
DATE 14/06/2010

SCALE do not scale



Studio 5 Old School Studios  
 140 Eastgate Street  
 Bury St Edmunds, Suffolk  
 IP33 1XX  
 phone: 01284 705 468  
 www.livingwoodwindows.co.uk  
 sales@livingwoodwindows.co.uk

<b>Livingwood Windows Limited</b>	
Marconi alu clad iv68 In open 2k. Side hung in open entrance door alu Daffa mobility threshold detail.	
DATE	14/06/2010
SCALE	do not scale



Studio 5 Old School Studios  
 140 Eastgate Street  
 Bury St Edmunds, Suffolk  
 IP33 1XX

phone: 01284 705 468

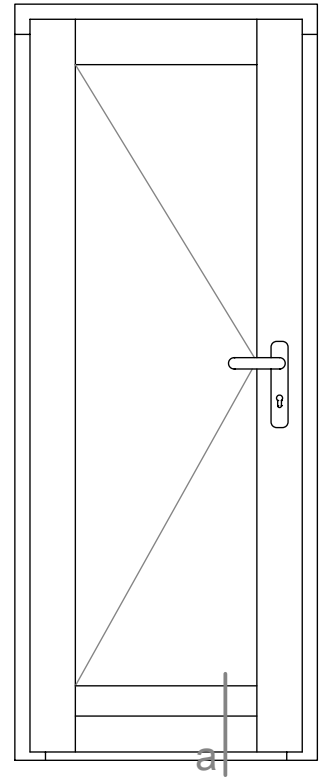
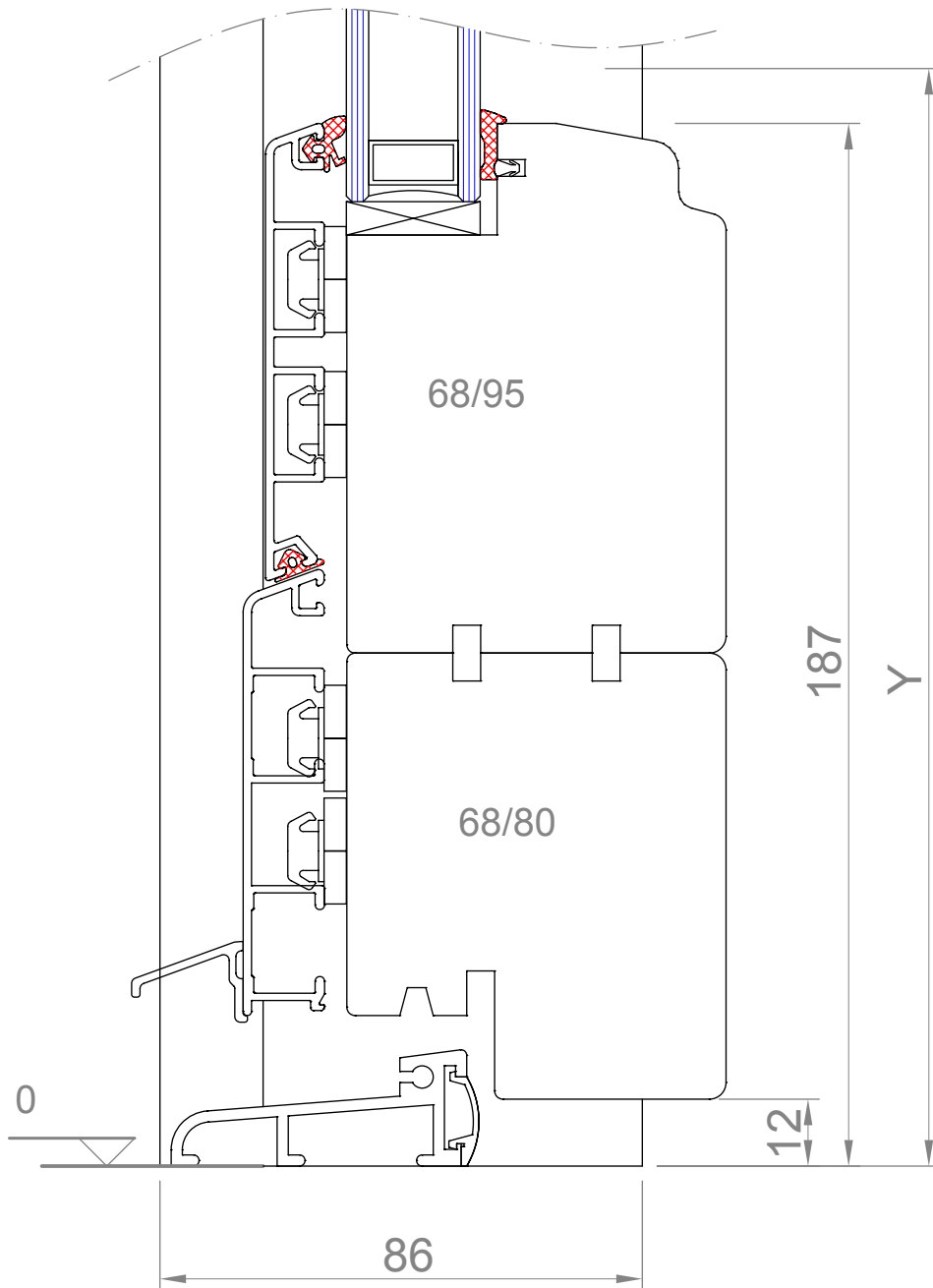
www.livingwoodwindows.co.uk  
 sales@livingwoodwindows.co.uk

**Livingwood Windows Limited**

Marconi alu clad iv68 Out open 2k, side hung out  
 open entrance door alu Daffa mobility threshold detail

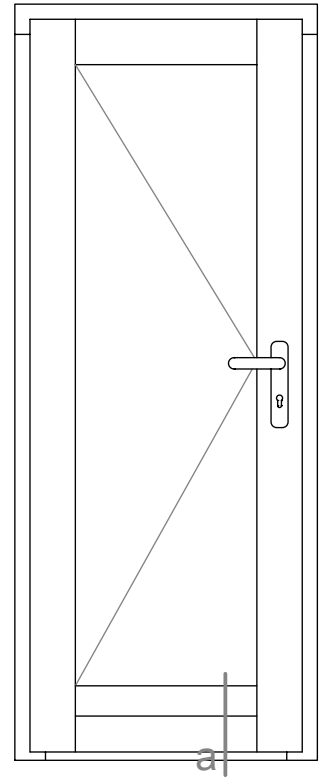
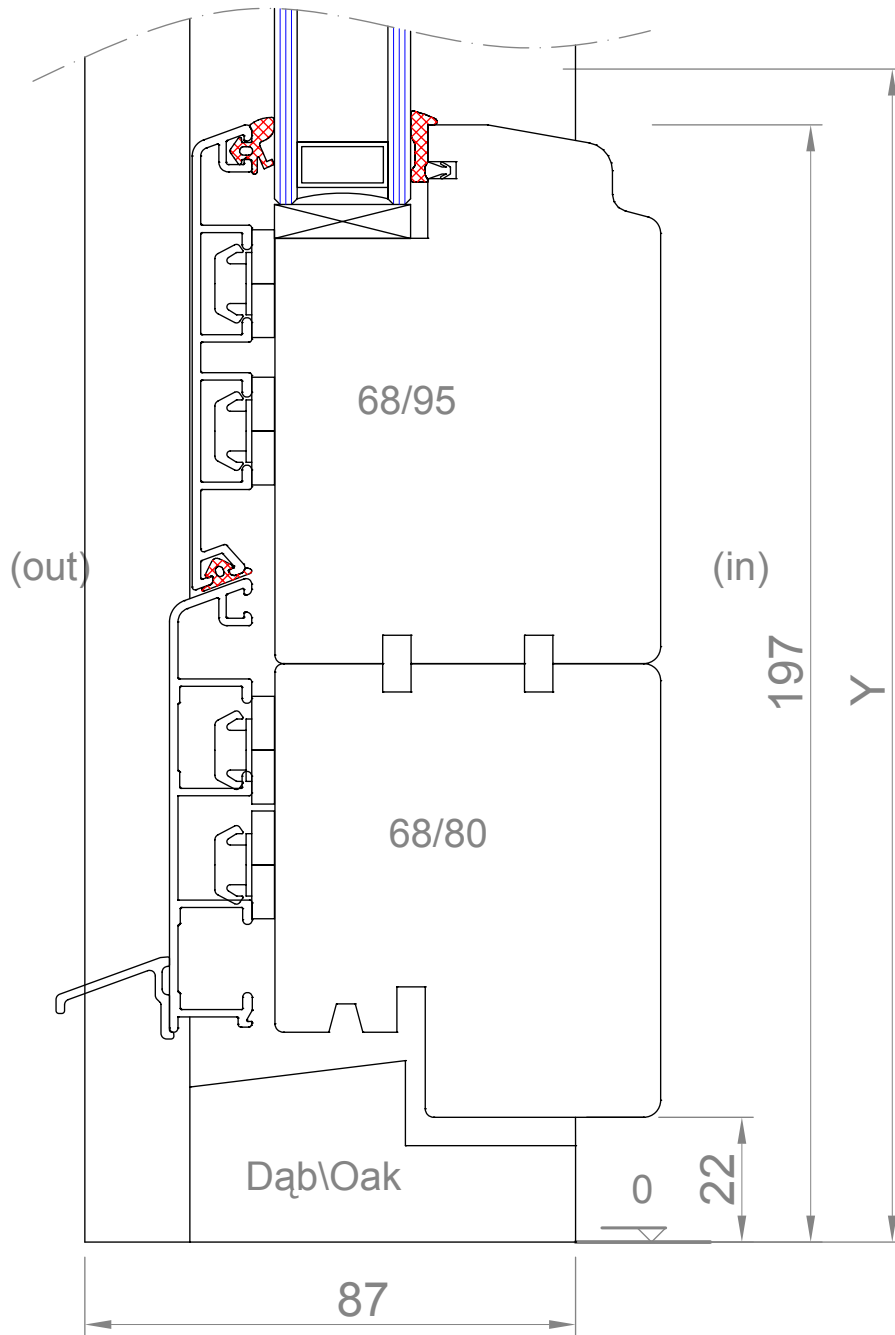
DATE 14/06/2010

SCALE do not scale



Studio 5 Old School Studios  
 140 Eastgate Street  
 Bury St Edmunds, Suffolk  
 IP33 1XX  
 phone: 01284 705 468  
 www.livingwoodwindows.co.uk  
 sales@livingwoodwindows.co.uk

<b>Livingwood Windows Limited</b>	
Marconi Alu clad iv68 In open 2k, side hung in open entrance door alu threshold detail	
DATE	14/06/2010
SCALE	do not scale



Studio 5 Old School Studios  
140 Eastgate Street  
Bury St Edmunds, Suffolk  
IP33 1XX

phone: 01284 705 468

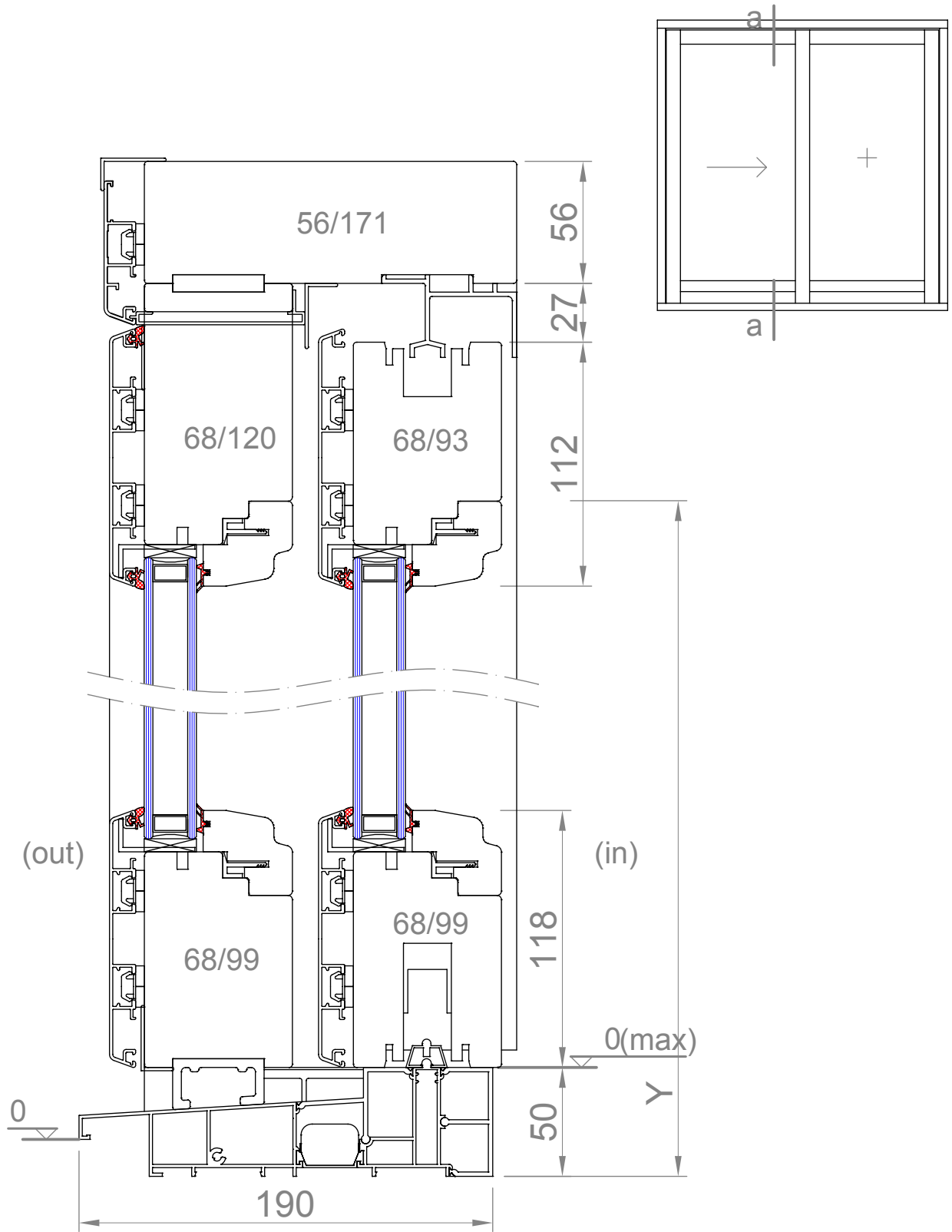
www.livingwoodwindows.co.uk  
sales@livingwoodwindows.co.uk

**Livingwood Windows Limited**

Marconi alu clad iv68 In open 2k, side hung in open entrance dooroak threshold detail

DATE 14/06/2010

SCALE do not scale



Studio 5 Old School Studios  
140 Eastgate Street  
Bury St Edmunds, Suffolk  
IP33 1XX

phone: 01284 705 468

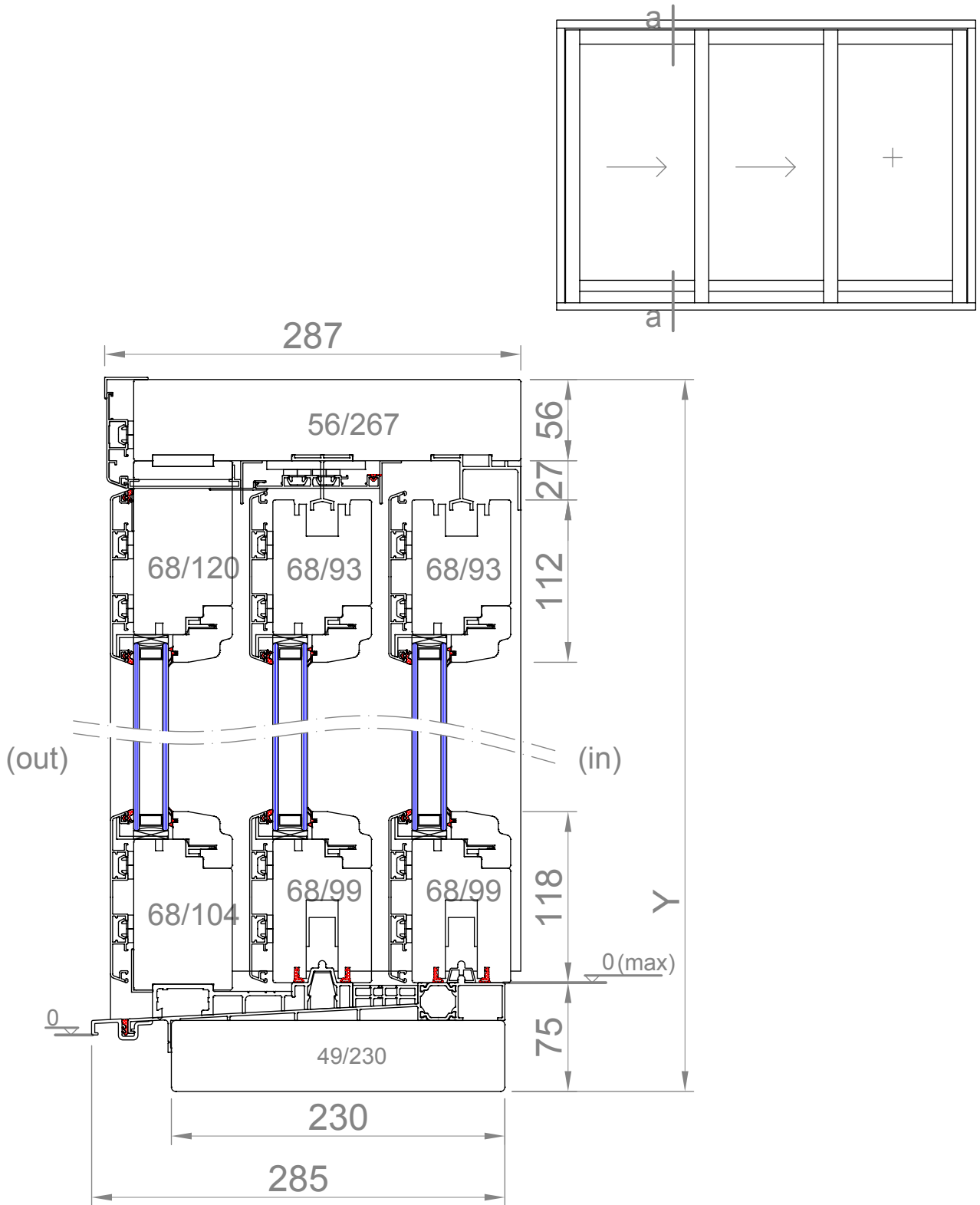
www.livingwoodwindows.co.uk  
sales@livingwoodwindows.co.uk

**Livingwood Windows Limited**

Marconi alu clad Lift and Slide Door 2k  
2 track head and threshold detail

DATE 14/06/2010

SCALE do not scale



Studio 5 Old School Studios  
 140 Eastgate Street  
 Bury St Edmunds, Suffolk  
 IP33 1XX

phone: 01284 705 468

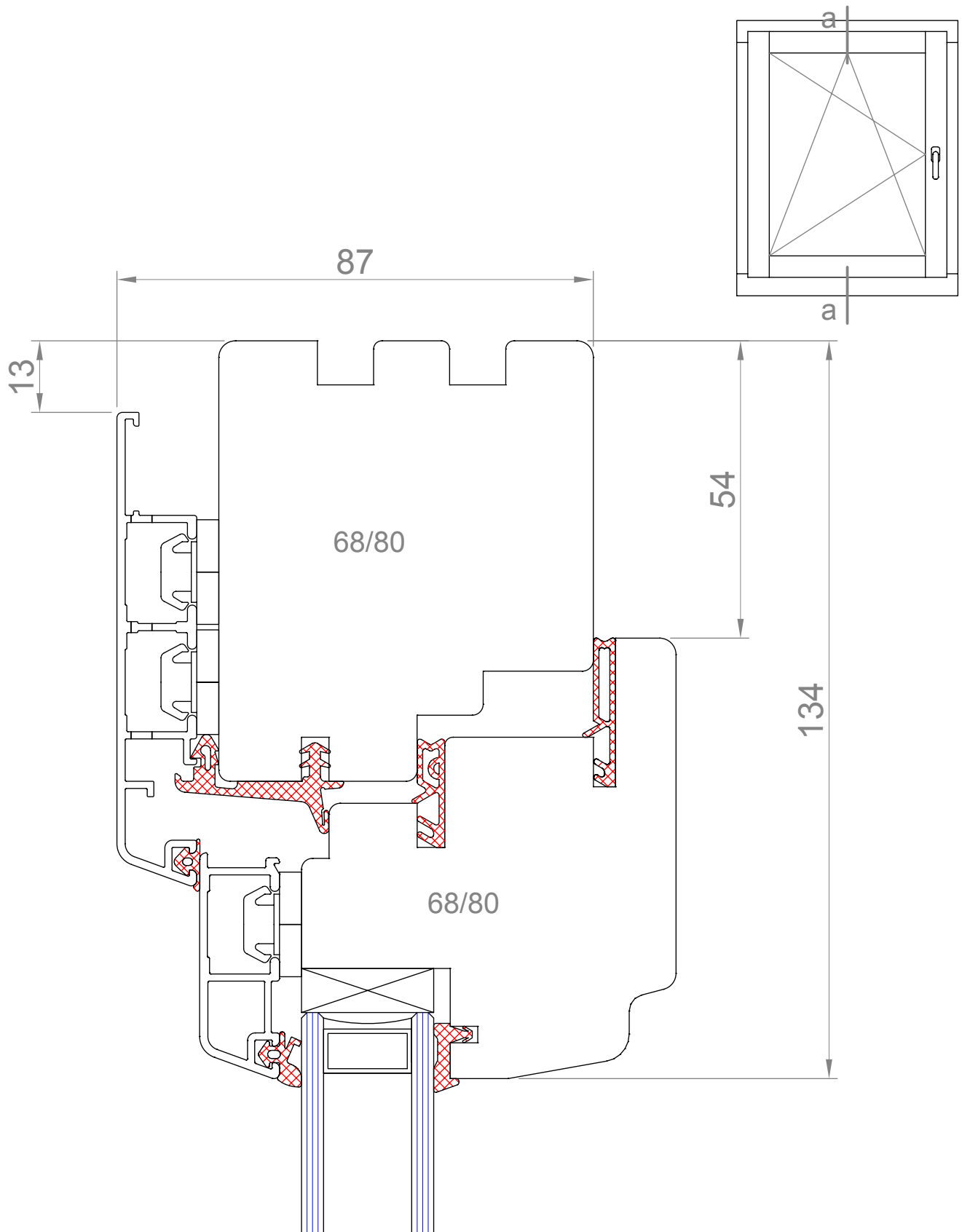
www.livingwoodwindows.co.uk  
 sales@livingwoodwindows.co.uk

**Livingwood Windows Limited**

Marcoin alu clad lift and slide door 2k  
 3 track head and threshold detail

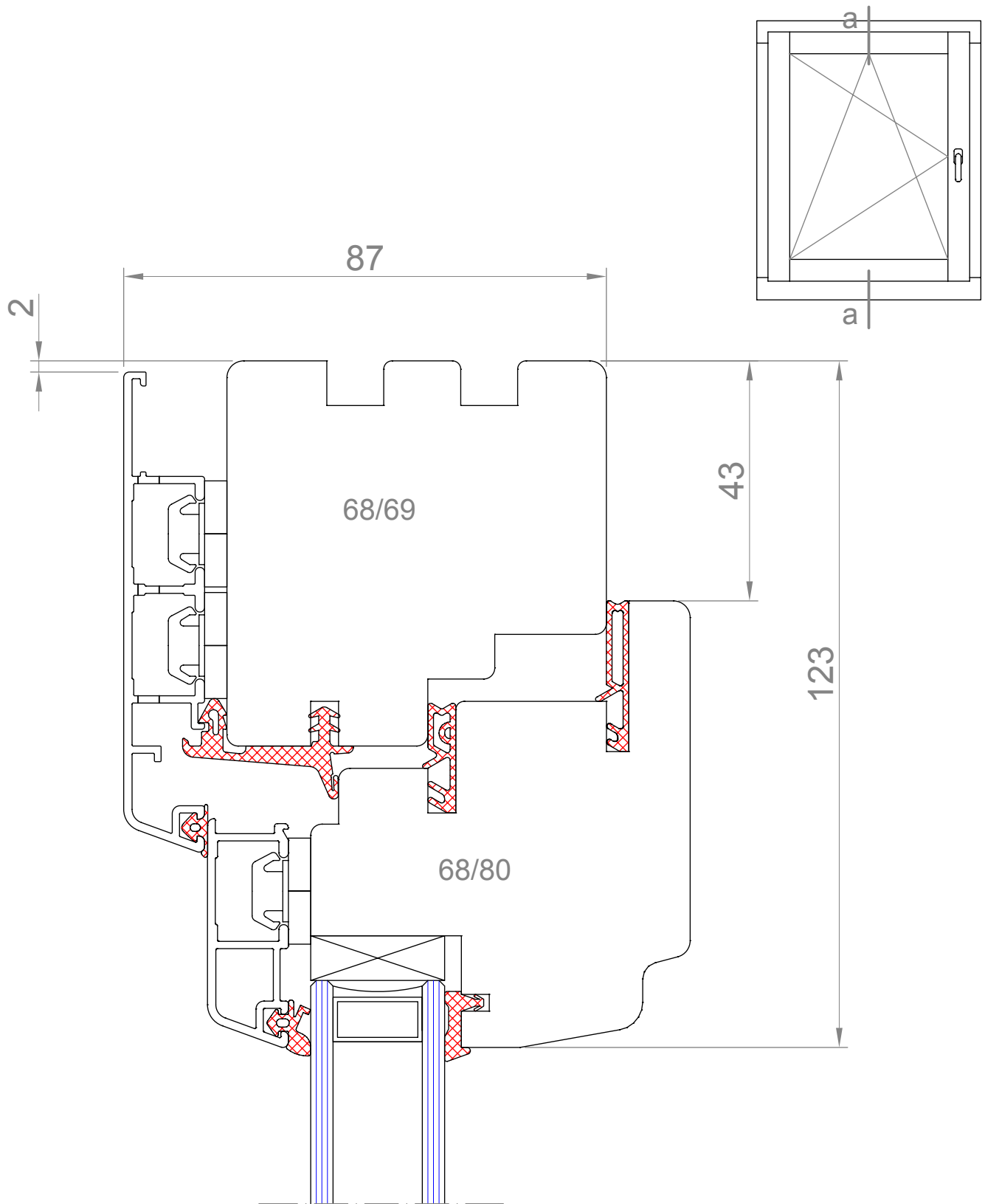
DATE 14/06/2010

SCALE do not scale



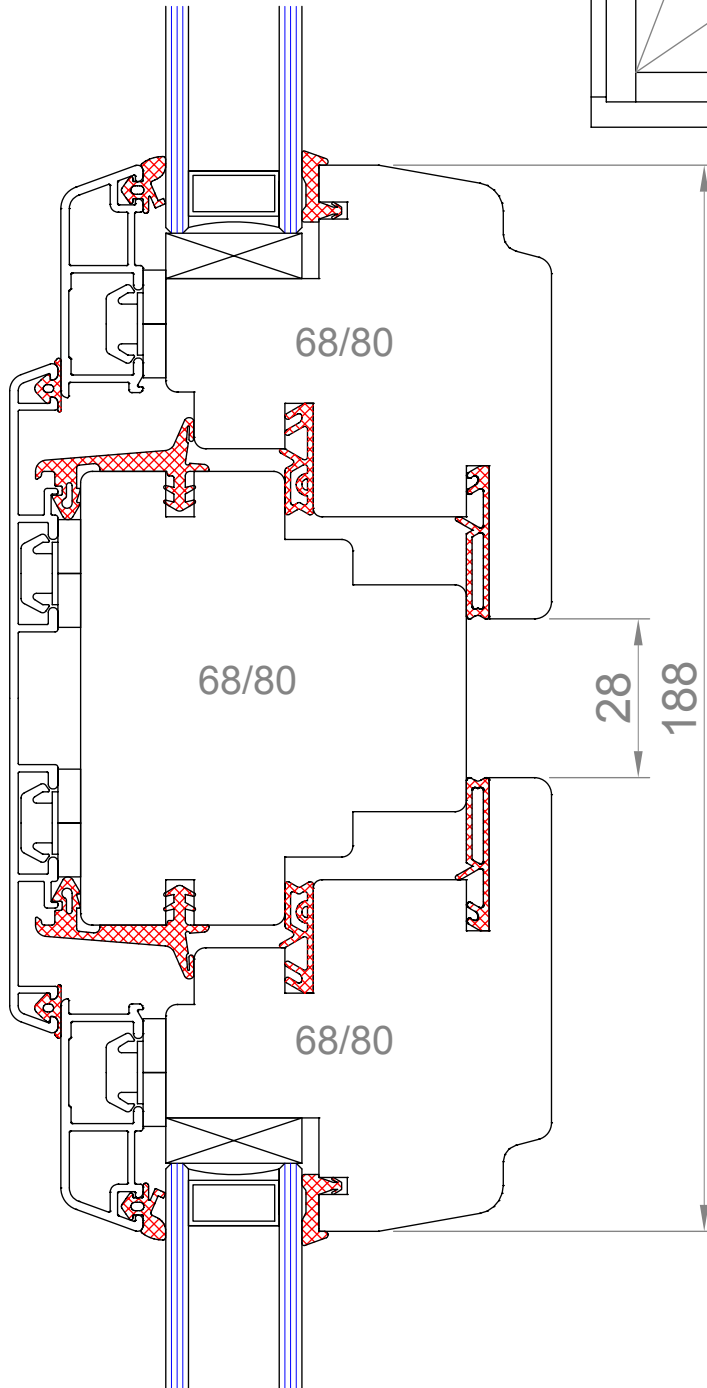
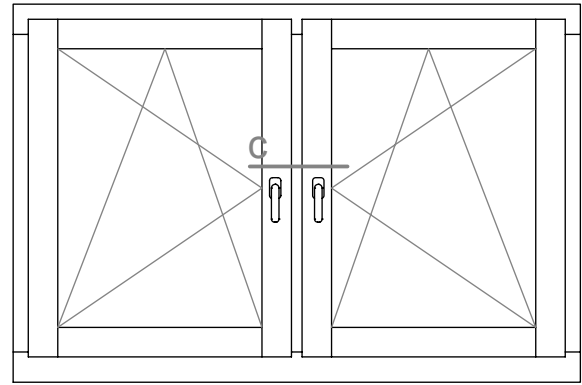
Studio 5 Old School Studios  
 140 Eastgate Street  
 Bury St Edmunds, Suffolk  
 IP33 1XX  
 phone: 01284 705 468  
 www.livingwoodwindows.co.uk  
 sales@livingwoodwindows.co.uk

<b>Livingwood Windows Limited</b>	
Marconi alu clad iv68 tilt & turn 2k 13mm exposed timber to head and cill	
DATE	14/06/2010
SCALE	do not scale



Studio 5 Old School Studios  
 140 Eastgate Street  
 Bury St Edmunds, Suffolk  
 IP33 1XX  
 phone: 01284 705 468  
 www.livingwoodwindows.co.uk  
 sales@livingwoodwindows.co.uk

<b>Livingwood Windows Limited</b>	
Marconi alu clad iv68 tilt & turn 2k 2mm exposed timber to head and cill	
DATE	14/06/2010
SCALE	do not scale



Studio 5 Old School Studios  
 140 Eastgate Street  
 Bury St Edmunds, Suffolk  
 IP33 1XX

phone: 01284 705 468

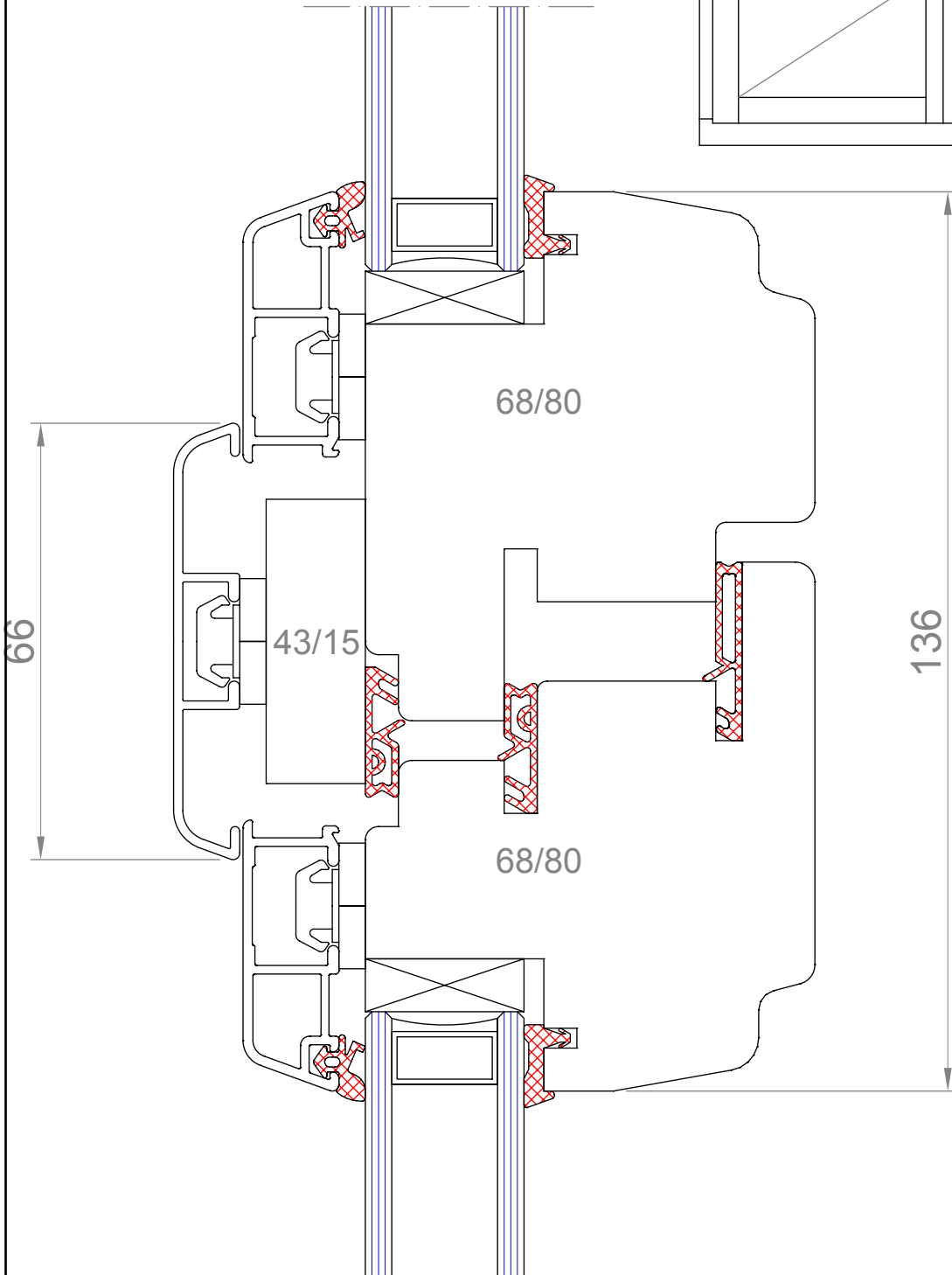
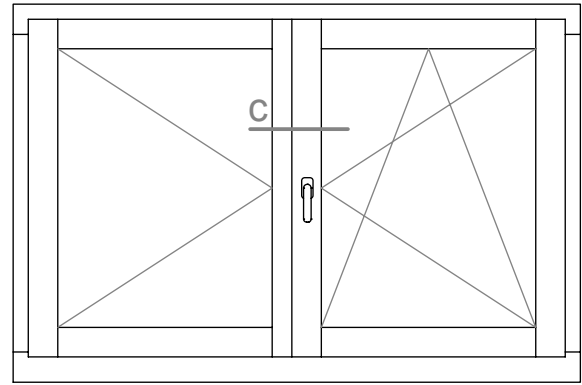
www.livingwoodwindows.co.uk  
 sales@livingwoodwindows.co.uk

**Livingwood Windows Limited**

Marconi alu clad iv68 tilt & turn 2k  
 Pair of tilt & turn meeting at 80mm structural mullion

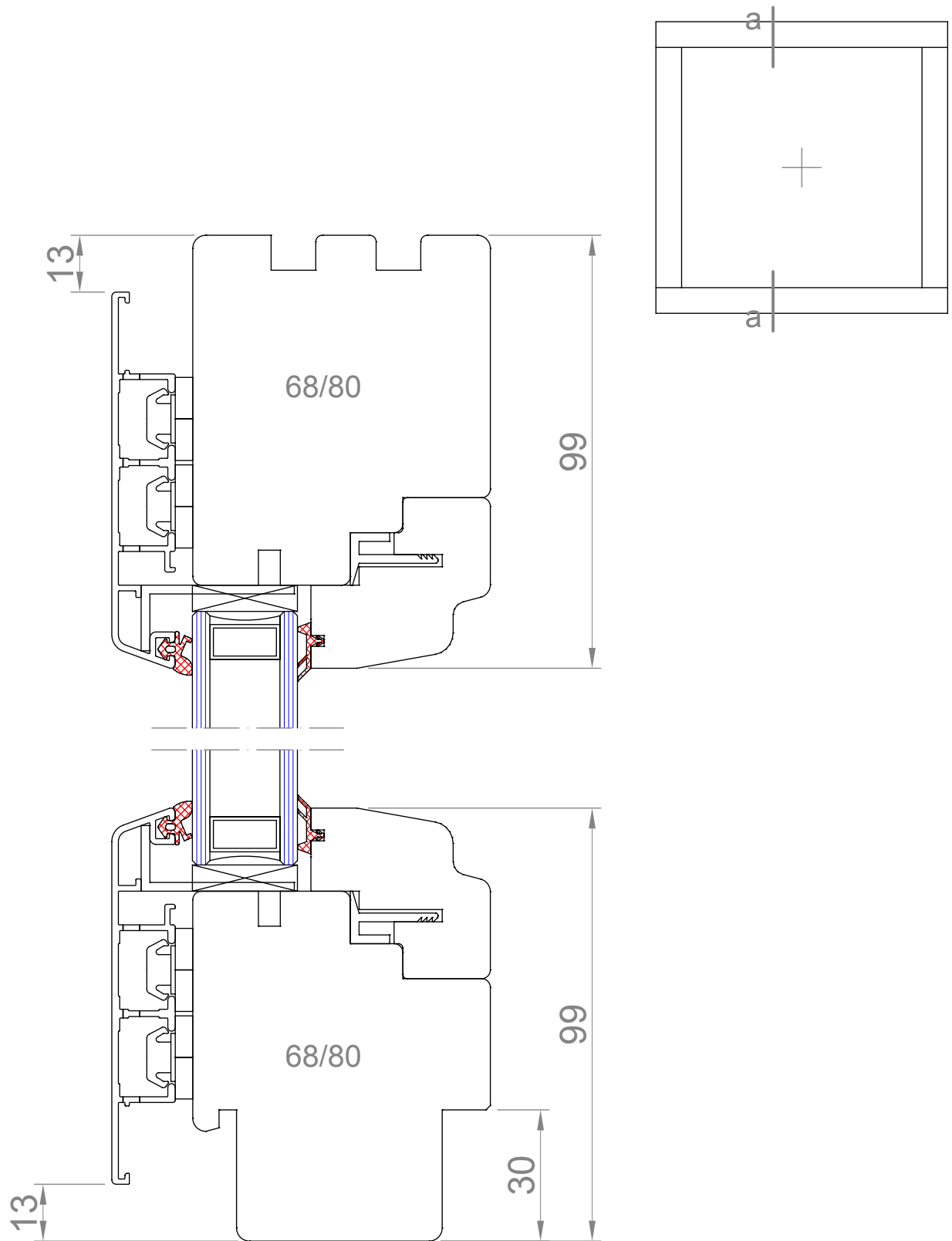
DATE 14/06/2010

SCALE do not scale



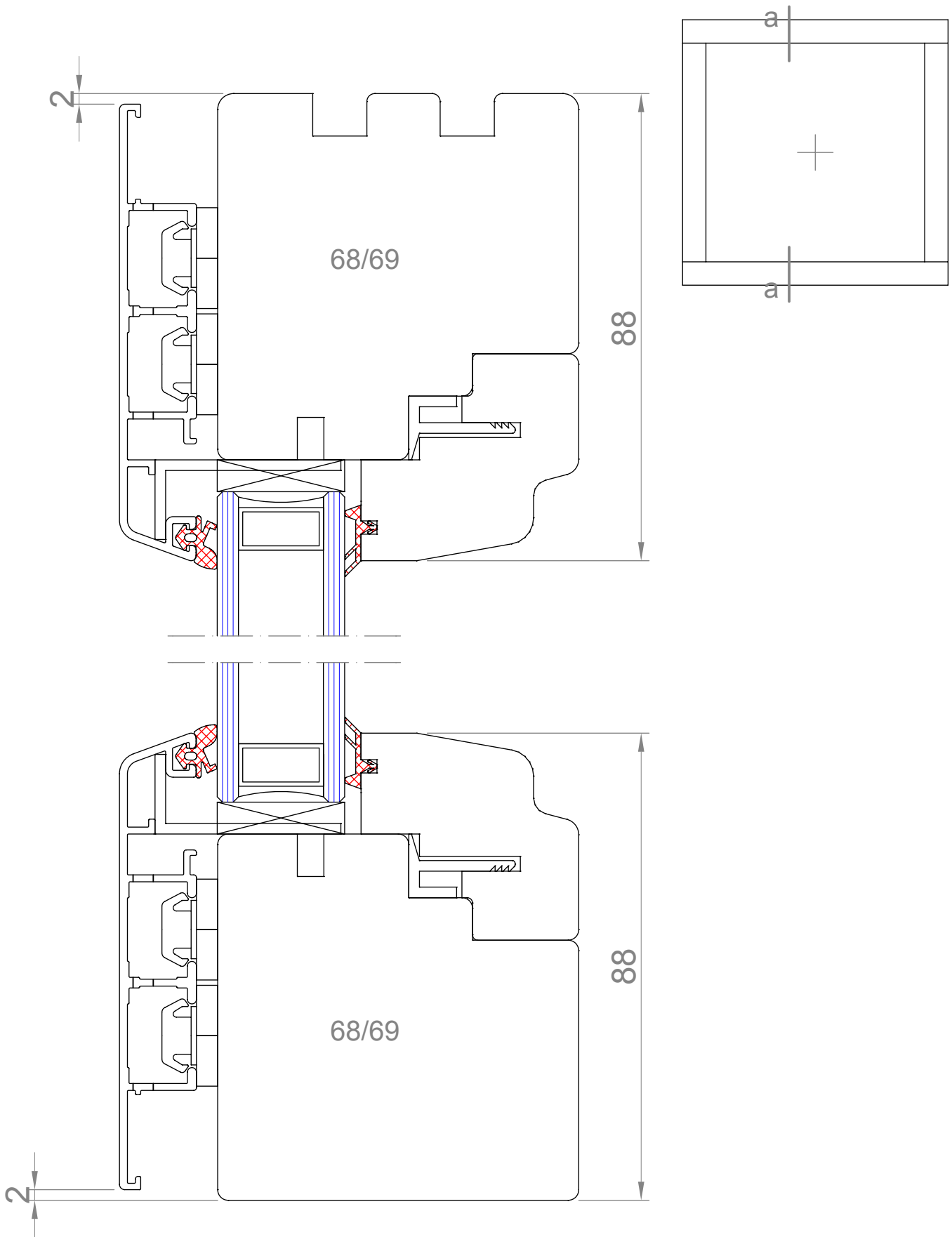
Studio 5 Old School Studios  
 140 Eastgate Street  
 Bury St Edmunds, Suffolk  
 IP33 1XX  
 phone: 01284 705 468  
 www.livingwoodwindows.co.uk  
 sales@livingwoodwindows.co.uk

<b>Livingwood Windows Limited</b>	
Marconi alu clad iv68 tilt & turn 2k Pair of tilt & turn with 66mm flying mullion	
DATE	14/06/2010
SCALE	do not scale



Studio 5 Old School Studios  
 140 Eastgate Street  
 Bury St Edmunds, Suffolk  
 IP33 1XX  
 phone: 01284 705 468  
 www.livingwoodwindows.co.uk  
 sales@livingwoodwindows.co.uk

<b>Livingwood Windows Limited</b>	
Marconi alu clad iv68 tilt & turn 2k Fixed light with 68/80 rebated cill and head detail	
DATE	14/06/2010
SCALE	do not scale



Studio 5 Old School Studios  
140 Eastgate Street  
Bury St Edmunds, Suffolk  
IP33 1XX

phone: 01284 705 468

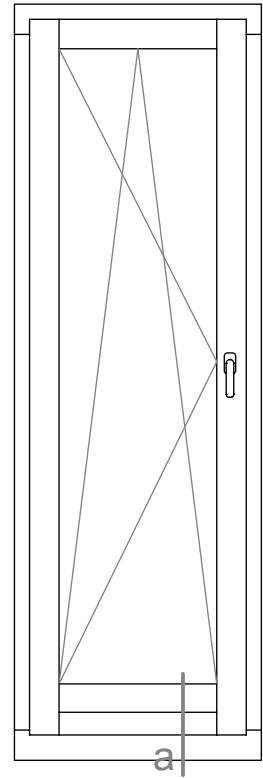
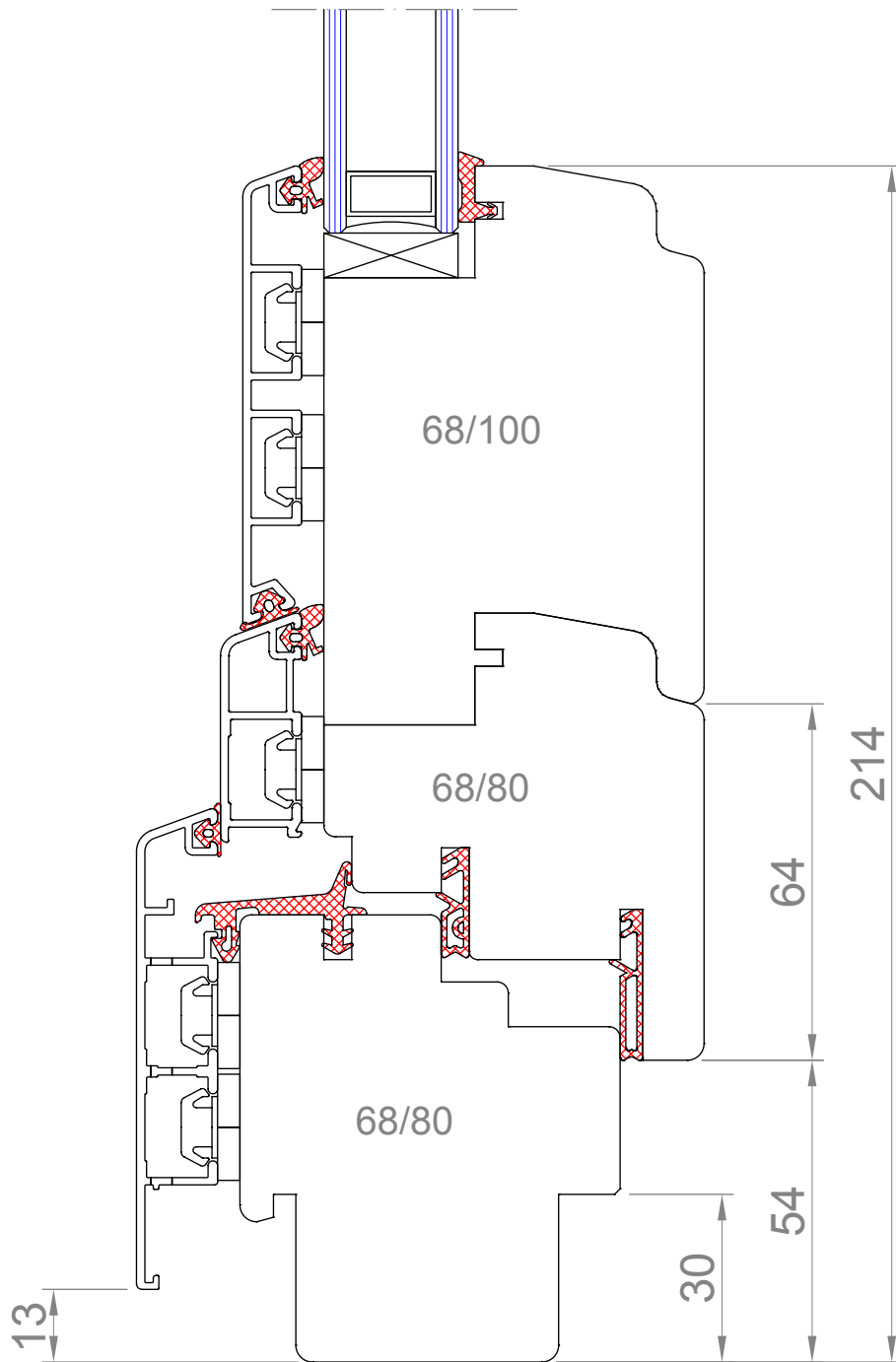
www.livingwoodwindows.co.uk  
sales@livingwoodwindows.co.uk

**Livingwood Windows Limited**

Marconi alu clad iv68 tilt & turn 2k, fixed light 68/90  
cill and head detail 2mm exposed timber

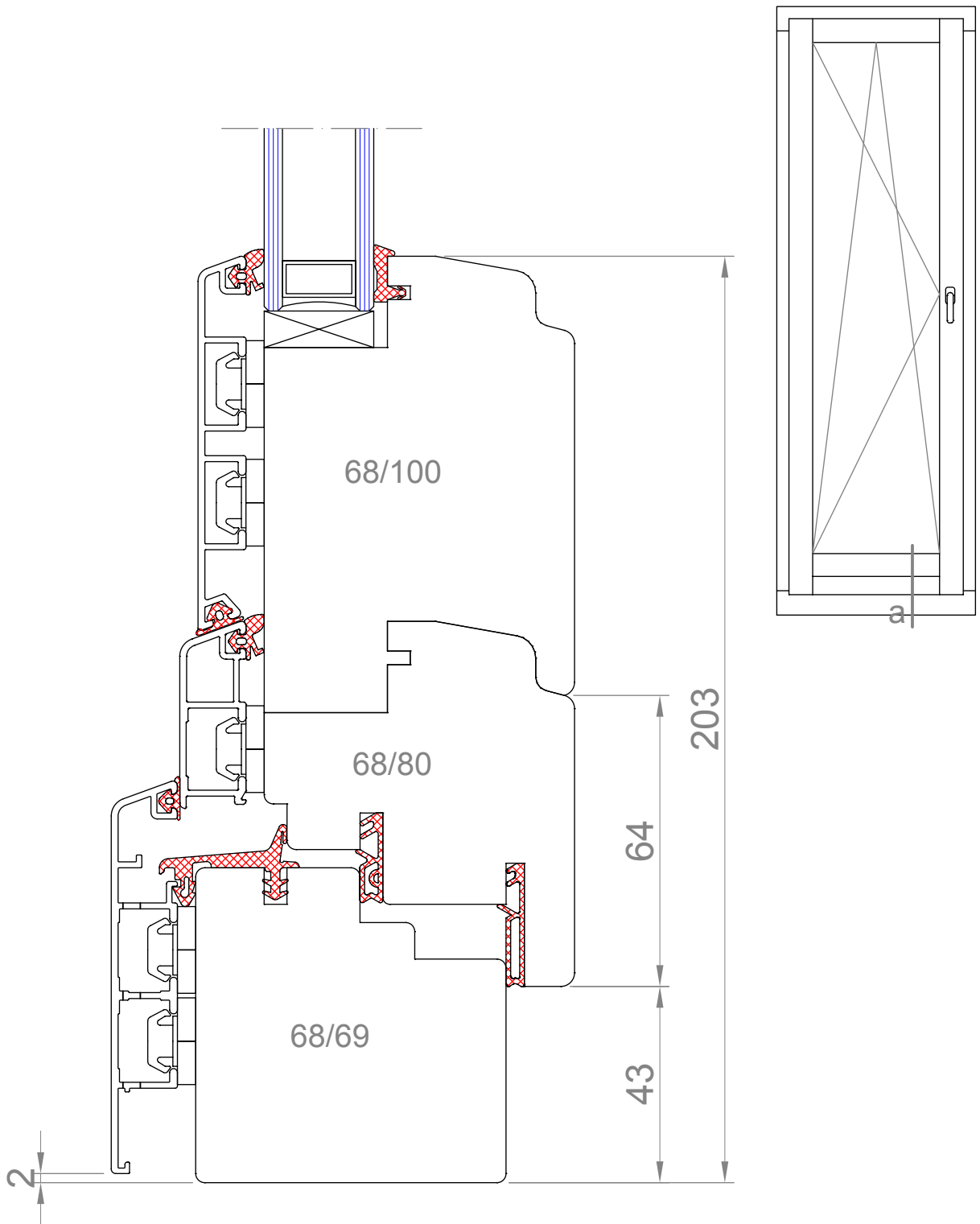
DATE 14/06/2010

SCALE do not scale



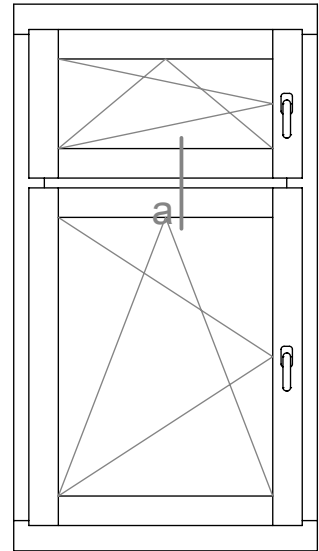
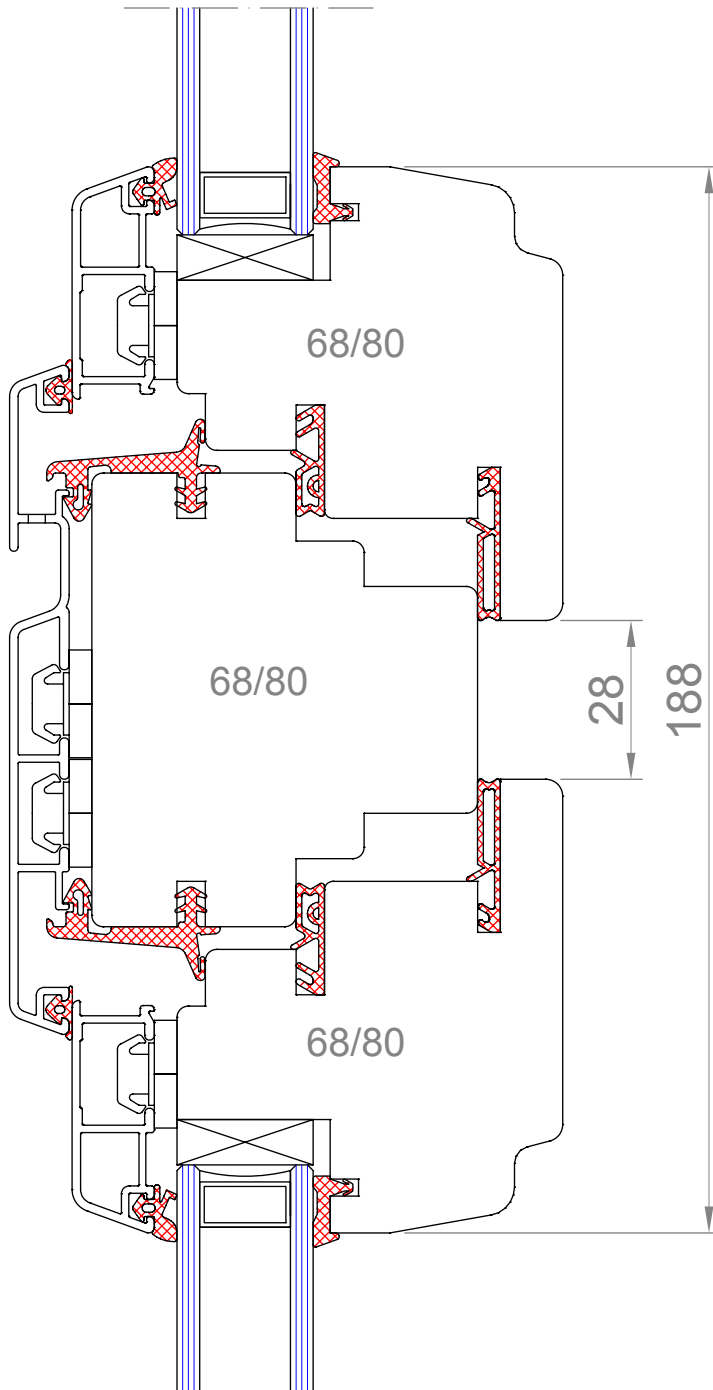
Studio 5 Old School Studios  
 140 Eastgate Street  
 Bury St Edmunds, Suffolk  
 IP33 1XX  
 phone: 01284 705 468  
 www.livingwoodwindows.co.uk  
 sales@livingwoodwindows.co.uk

<b>Livingwood Windows Limited</b>	
Marconi alu clad iv68 tilt & turn 2k Balcony door cill detail 68/80 with rebate	
DATE	14/06/2010
SCALE	do not scale



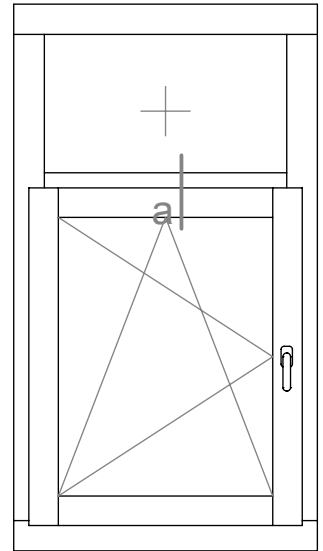
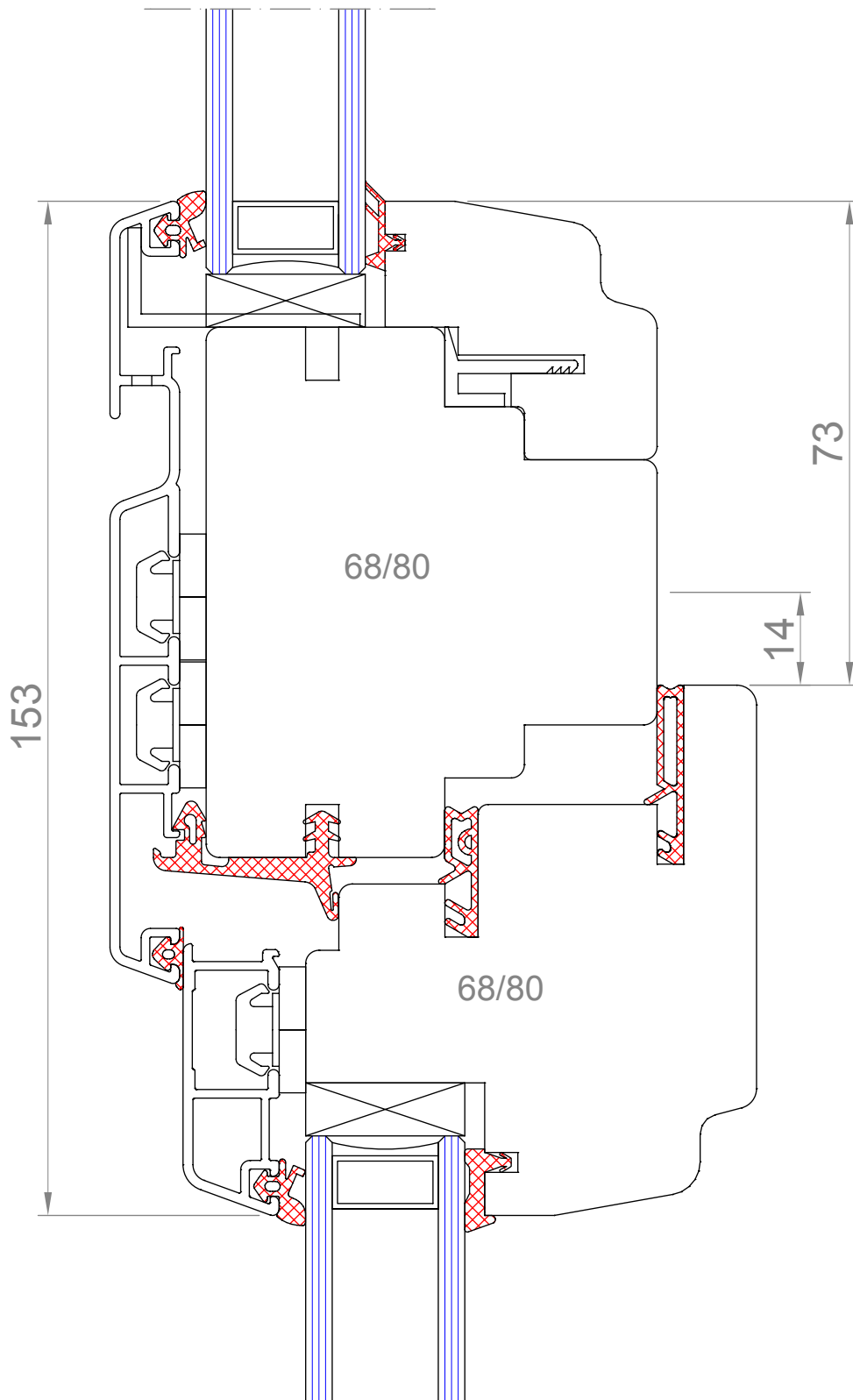
Studio 5 Old School Studios  
 140 Eastgate Street  
 Bury St Edmunds, Suffolk  
 IP33 1XX  
 phone: 01284 705 468  
 www.livingwoodwindows.co.uk  
 sales@livingwoodwindows.co.uk

<b>Livingwood Windows Limited</b>	
Marconi alu clad iv68 tilt & turn 2k Balcony door with 68/69 cill detail	
DATE	14/06/2010
SCALE	do not scale



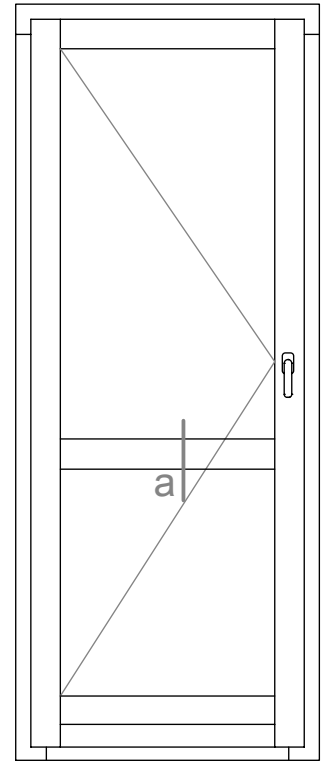
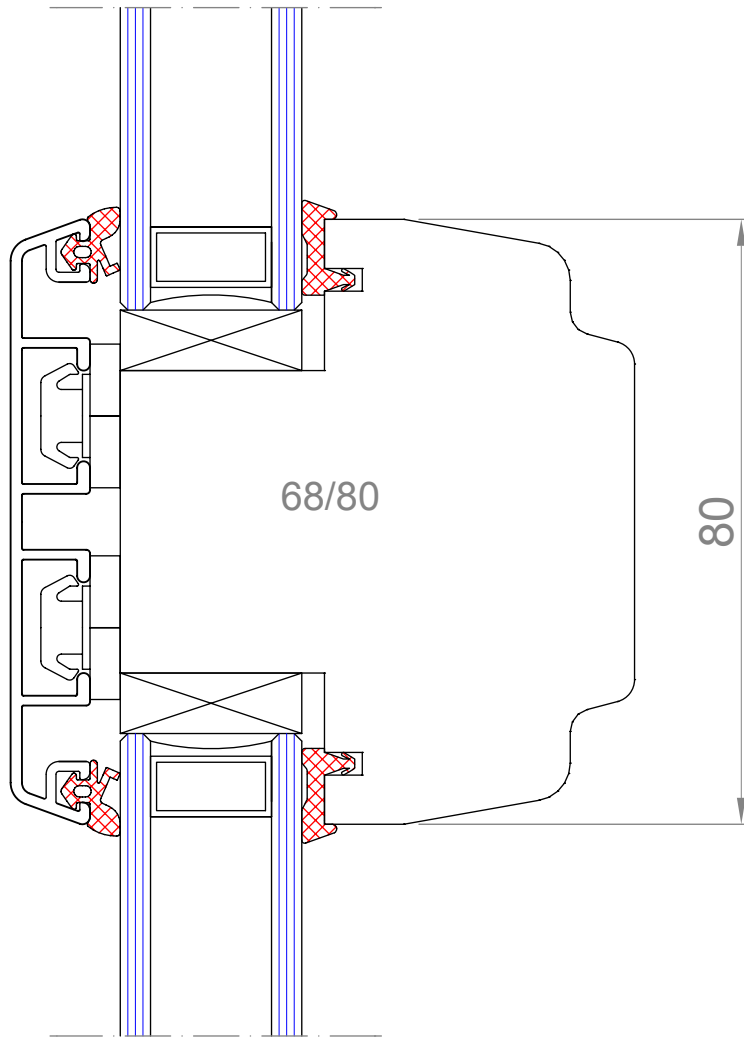
Studio 5 Old School Studios  
 140 Eastgate Street  
 Bury St Edmunds, Suffolk  
 IP33 1XX  
 phone: 01284 705 468  
 www.livingwoodwindows.co.uk  
 sales@livingwoodwindows.co.uk

<b>Livingwood Windows Limited</b>	
Marconi alu clad iv68 tilt & turn 2k Dividing transom between two tilt and turn units	
DATE	14/06/2010
SCALE	do not scale



Studio 5 Old School Studios  
 140 Eastgate Street  
 Bury St Edmunds, Suffolk  
 IP33 1XX  
 phone: 01284 705 468  
 www.livingwoodwindows.co.uk  
 sales@livingwoodwindows.co.uk

<b>Livingwood Windows Limited</b>	
Marconi alu clad iv68 tilt & turn 2k Dividing mullion between fixed light over tilt & turn unit	
DATE	14/06/2010
SCALE	do not scale



Studio 5 Old School Studios  
140 Eastgate Street  
Bury St Edmunds, Suffolk  
IP33 1XX

phone: 01284 705 468

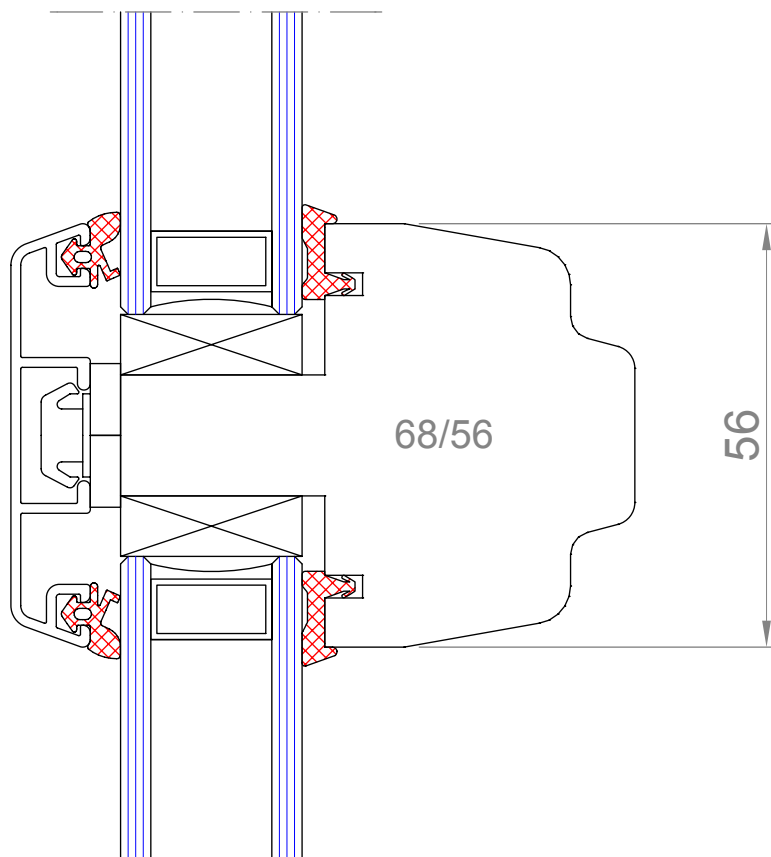
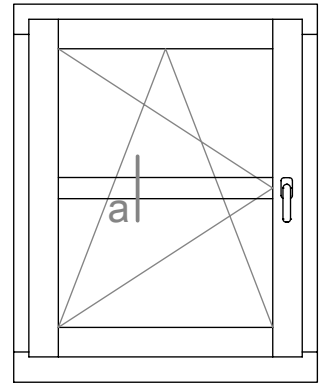
www.livingwoodwindows.co.uk  
sales@livingwoodwindows.co.uk

**Livingwood Windows Limited**

Marconi alu clad iv68 2k  
In Open Entrance door 80mm structural transom

DATE 14/06/2010

SCALE do not scale



livingwood  
windows ltd

Studio 5 Old School Studios  
140 Eastgate Street  
Bury St Edmunds, Suffolk  
IP33 1XX

phone: 01284 705 468

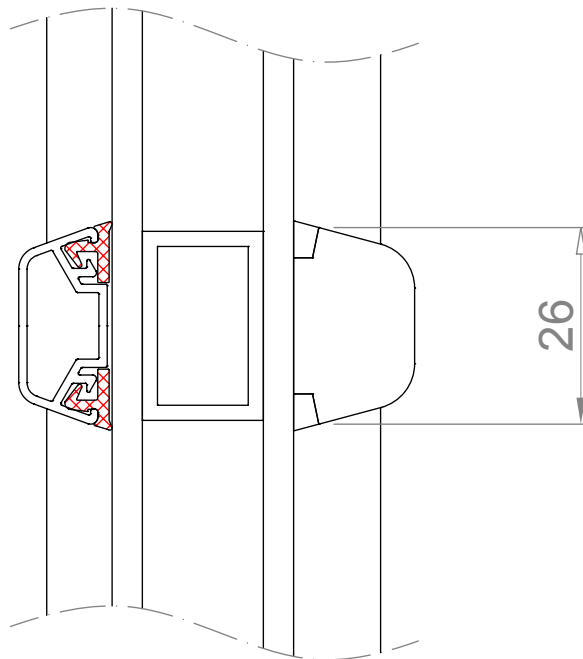
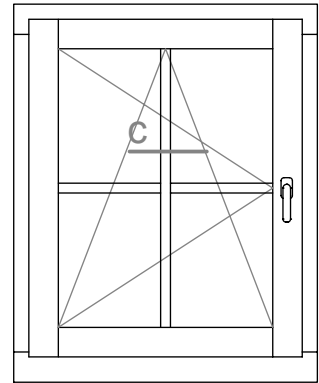
www.livingwoodwindows.co.uk  
sales@livingwoodwindows.co.uk

**Livingwood Windows Limited**

Marconi alu clad iv68 tilt & turn 2k  
56mm structural transom

DATE 14/06/2010

SCALE do not scale



Studio 5 Old School Studios  
 140 Eastgate Street  
 Bury St Edmunds, Suffolk  
 IP33 1XX

phone: 01284 705 468

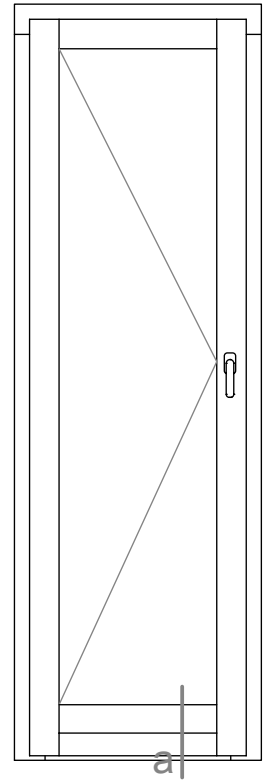
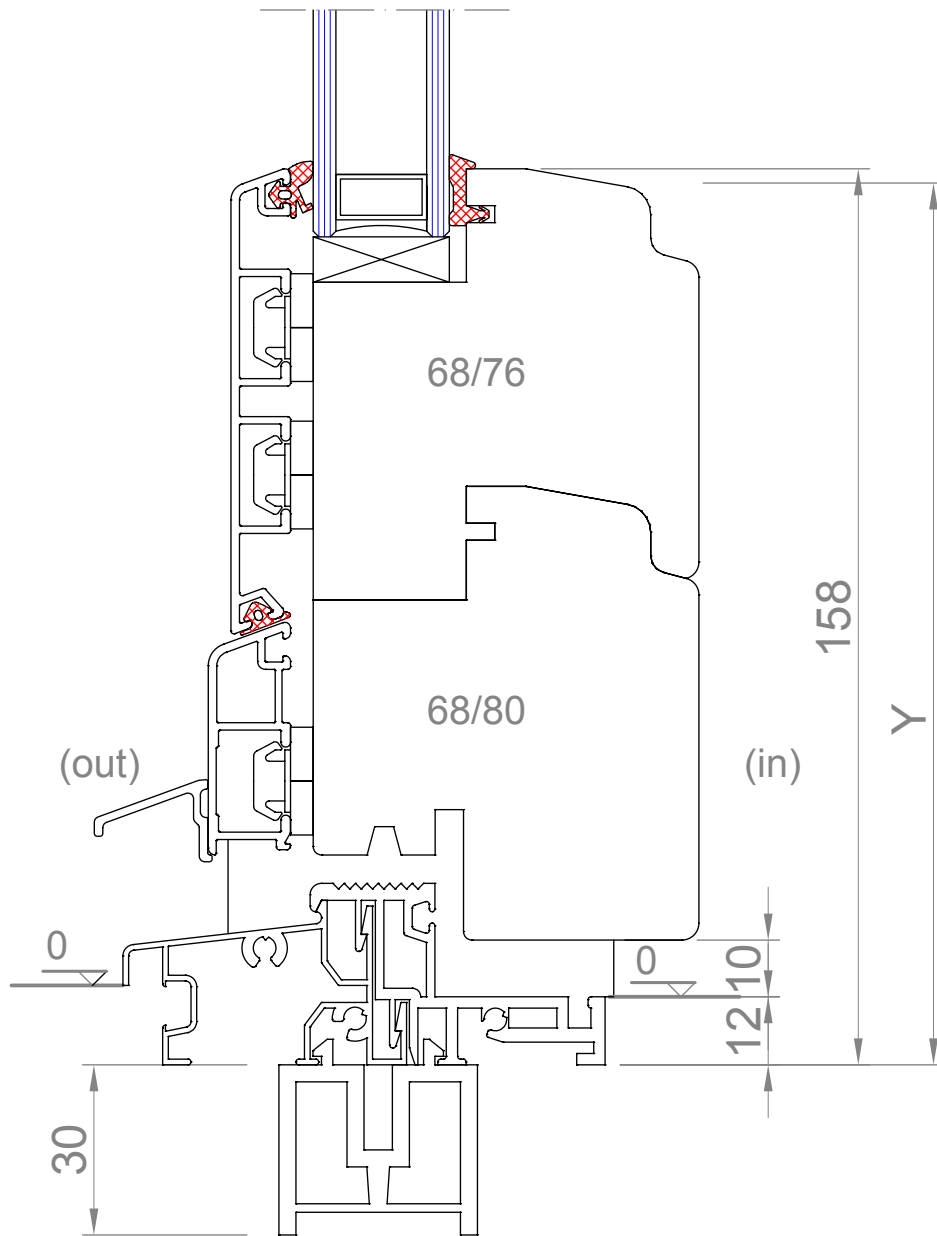
www.livingwoodwindows.co.uk  
 sales@livingwoodwindows.co.uk

**Livingwood Windows Limited**

Marconi alu clad iv68 tilt & turn 2k  
 26mm stick on glazing bar

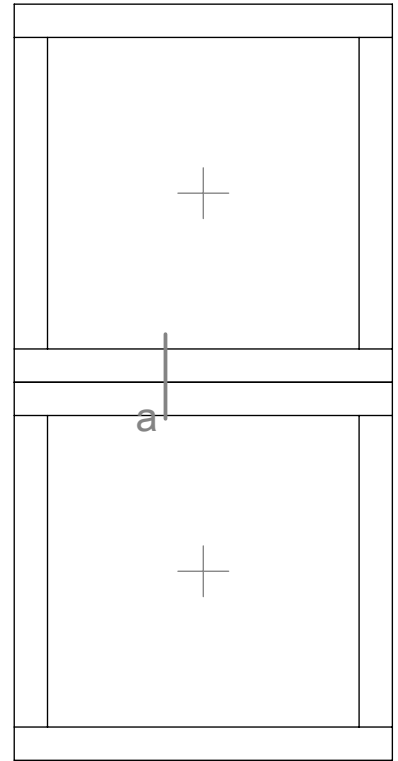
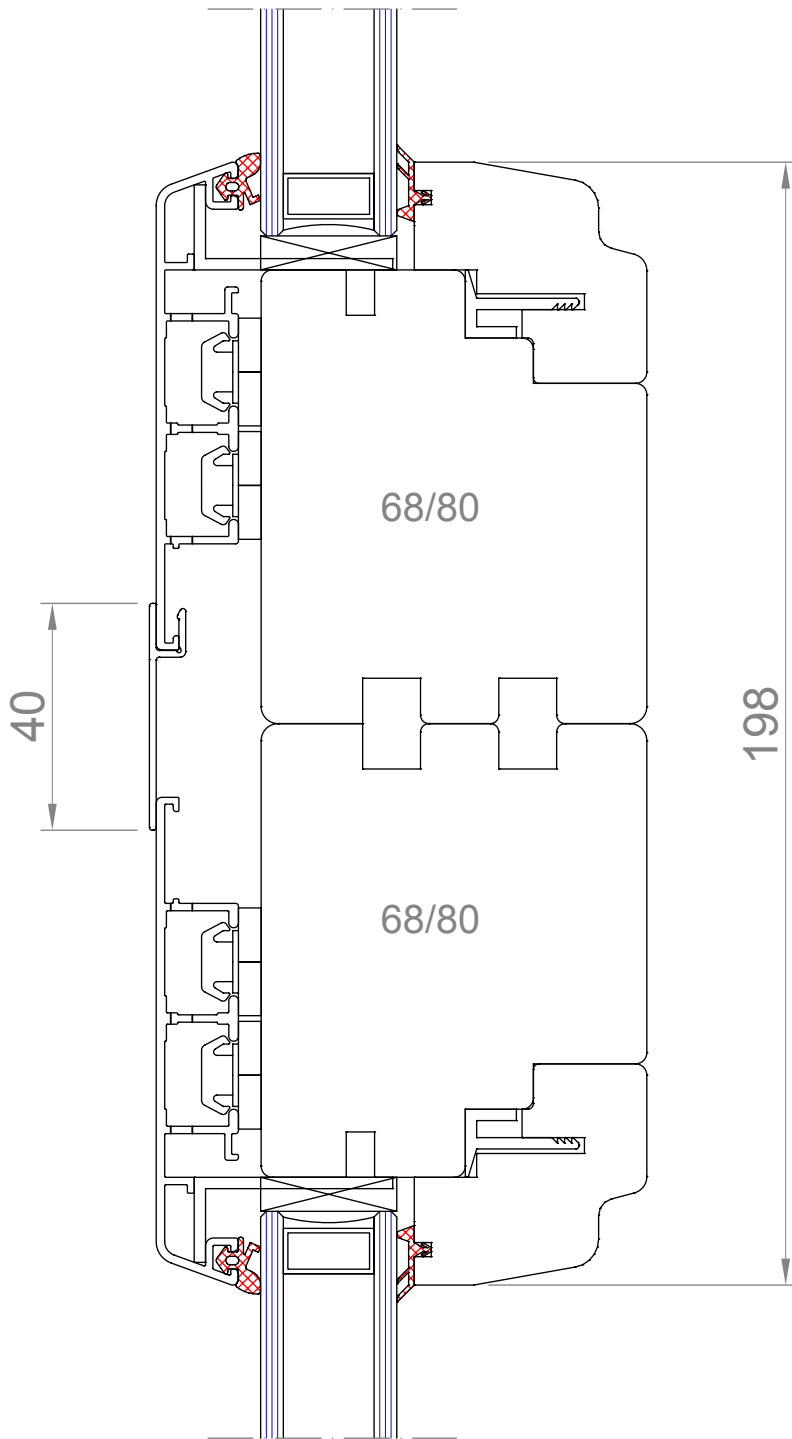
DATE 14/06/2010

SCALE do not scale



Studio 5 Old School Studios  
 140 Eastgate Street  
 Bury St Edmunds, Suffolk  
 IP33 1XX  
 phone: 01284 705 468  
 www.livingwoodwindows.co.uk  
 sales@livingwoodwindows.co.uk

<b>Livingwood Windows Limited</b>	
Marconi alu clad iv68 2k In Open entrance door with Wesser threshold	
DATE	14/06/2010
SCALE	do not scale



Studio 5 Old School Studios  
 140 Eastgate Street  
 Bury St Edmunds, Suffolk  
 IP33 1XX

phone: 01284 705 468

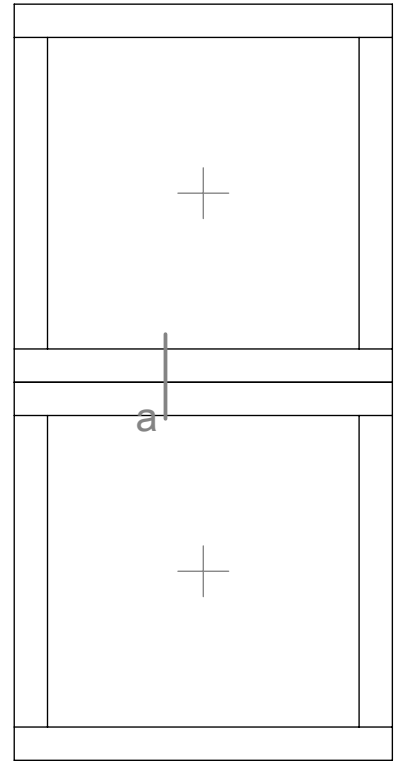
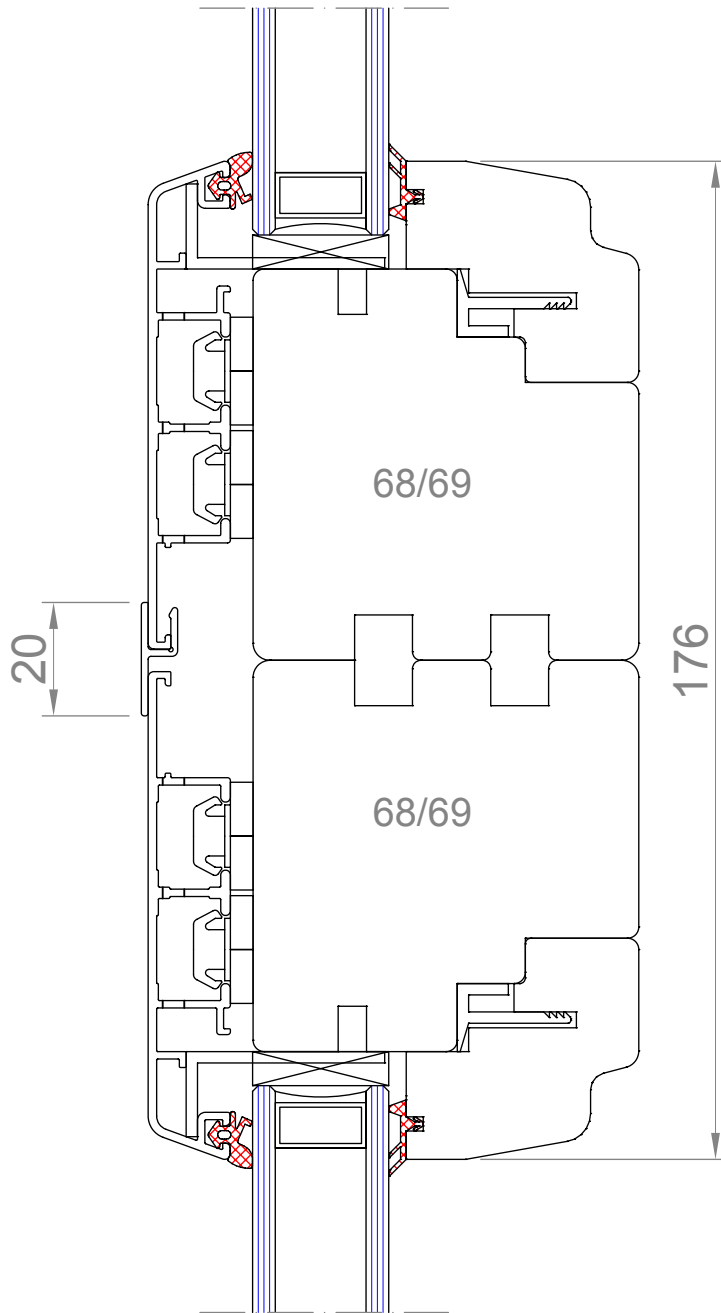
www.livingwoodwindows.co.uk  
 sales@livingwoodwindows.co.uk

**Livingwood Windows Limited**

Marconi alu clad iv68 tilt & turn 2k, two fixed lights  
 meeting at head and cill with 198mm join

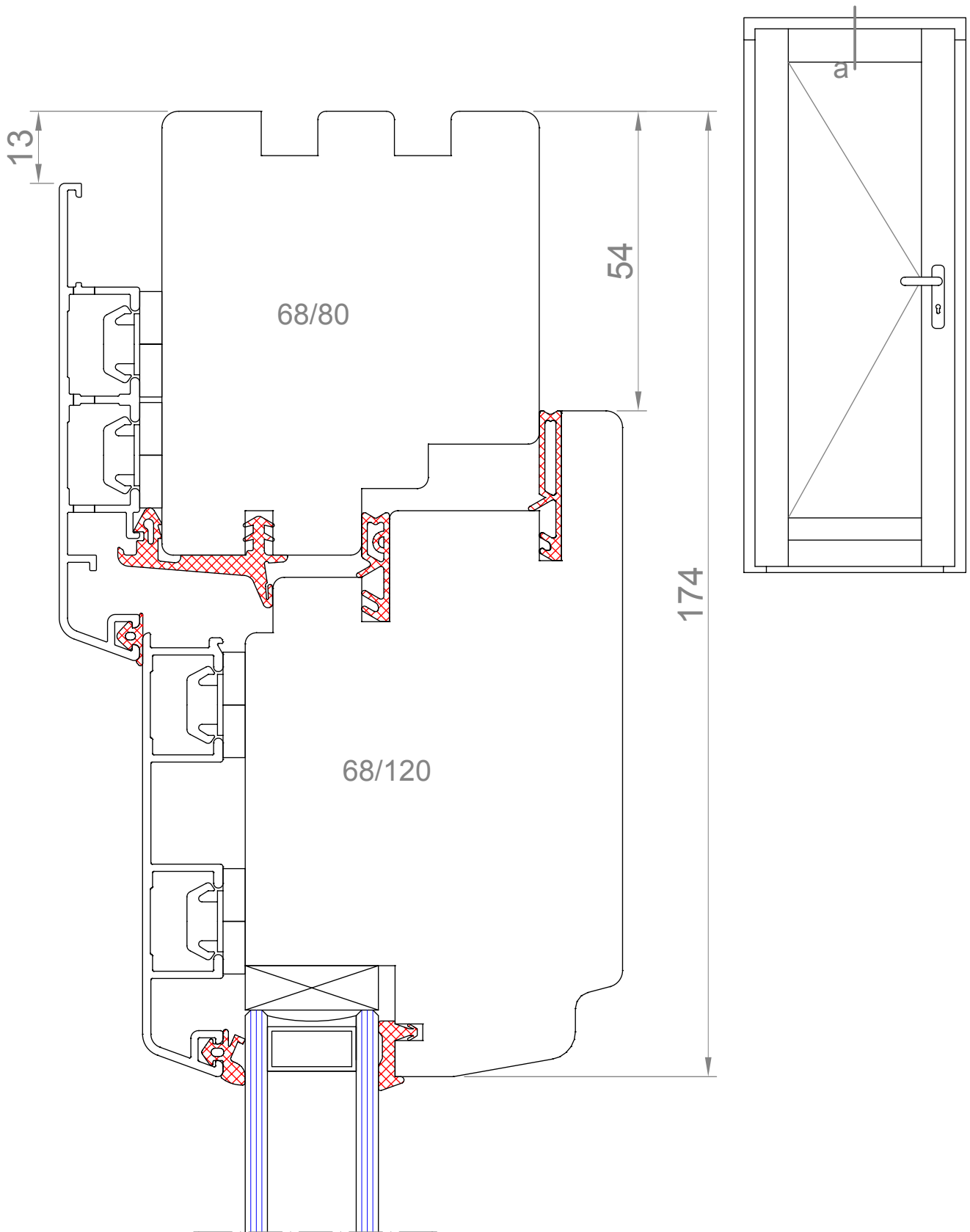
DATE 14/06/2010

SCALE do not scale



Studio 5 Old School Studios  
 140 Eastgate Street  
 Bury St Edmunds, Suffolk  
 IP33 1XX  
 phone: 01284 705 468  
 www.livingwoodwindows.co.uk  
 sales@livingwoodwindows.co.uk

<b>Livingwood Windows Limited</b>	
Marconi alu clad iv68 tilt & turn 2k, two fixed lights meeting at head and cill with 176mm join	
DATE	14/06/2010
SCALE	do not scale



Studio 5 Old School Studios  
 140 Eastgate Street  
 Bury St Edmunds, Suffolk  
 IP33 1XX

phone: 01284 705 468

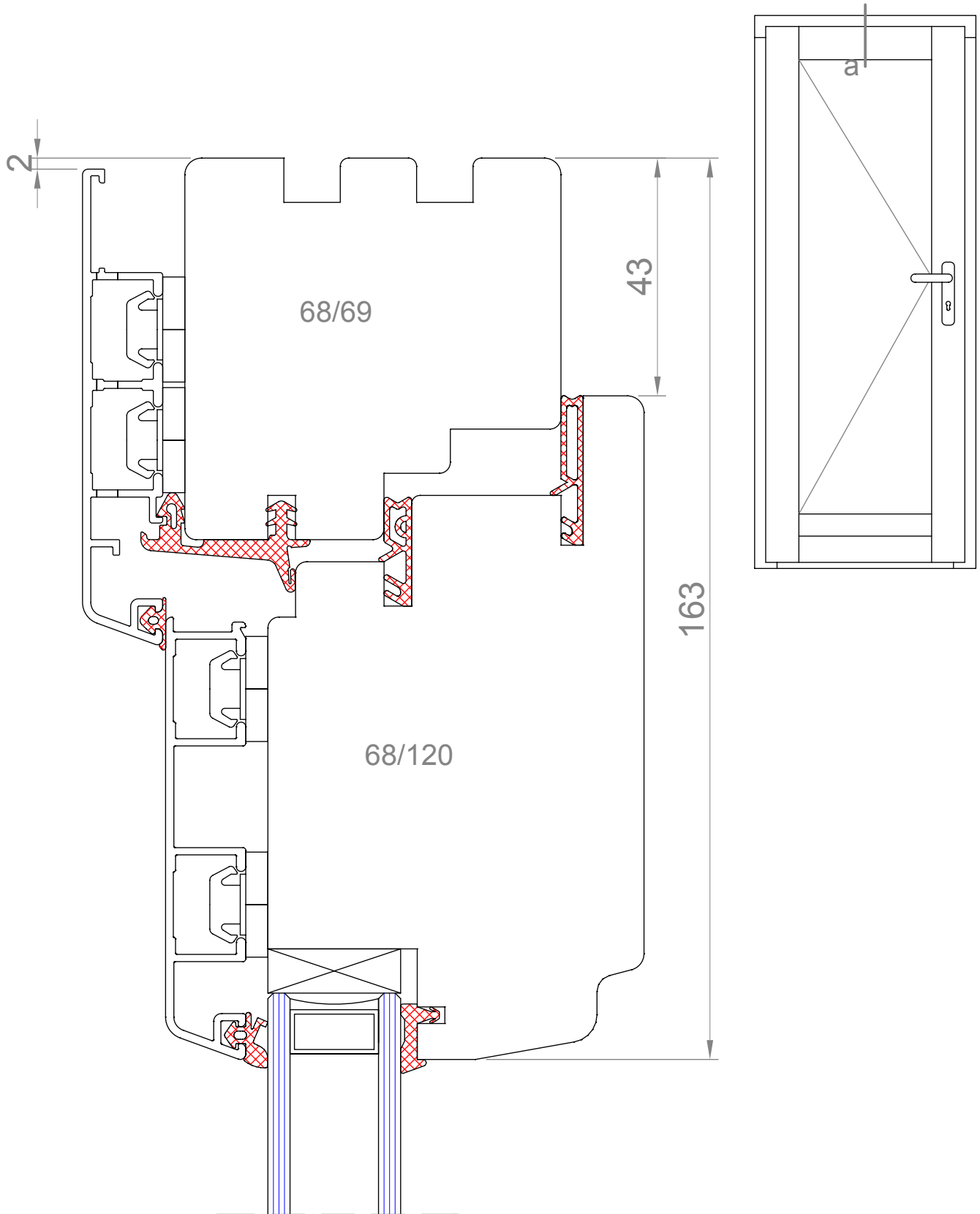
www.livingwoodwindows.co.uk  
 sales@livingwoodwindows.co.uk

**Livingwood Windows Limited**

Marconi alu clad iv68 2k, In open entrance door head  
 with 68/80 section 13mm exposed timber

DATE 14/06/2010

SCALE do not scale



Studio 5 Old School Studios  
140 Eastgate Street  
Bury St Edmunds, Suffolk  
IP33 1XX

phone: 01284 705 468

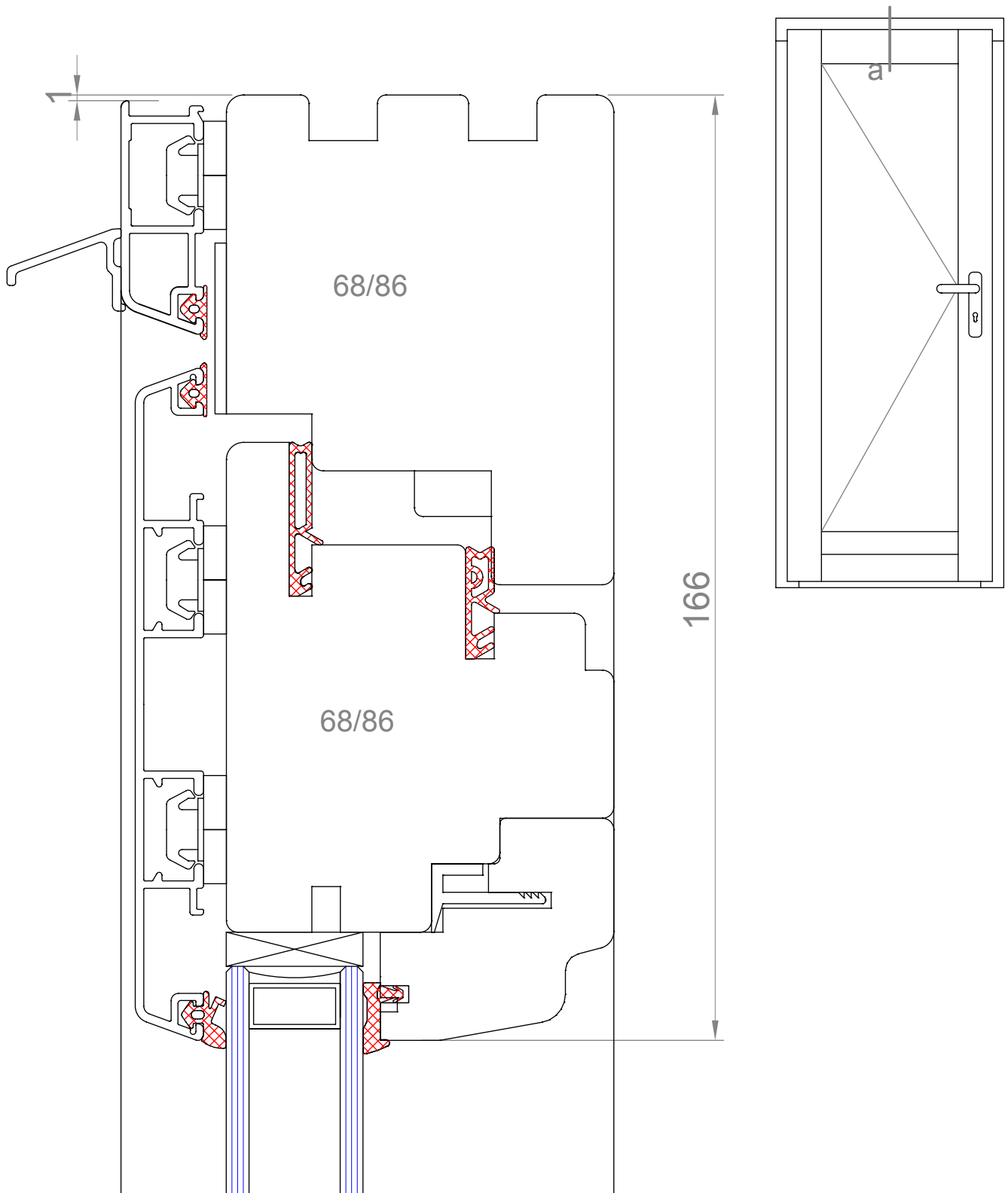
www.livingwoodwindows.co.uk  
sales@livingwoodwindows.co.uk

**Livingwood Windows Limited**

Marconi alu clad iv68 2k, in open entrance door head  
with 68/69 section 2mm exposed timber

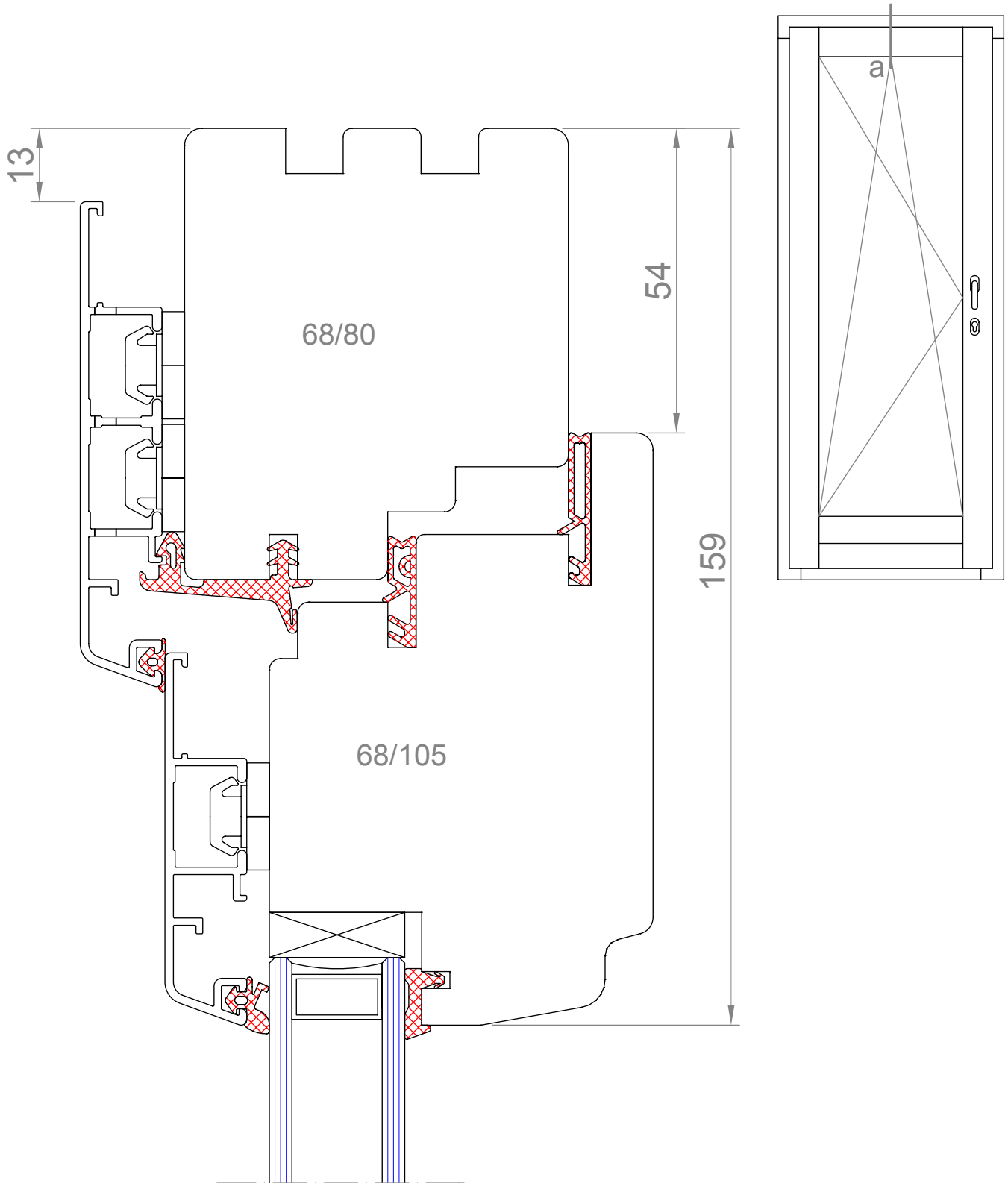
DATE 14/06/2010

SCALE do not scale



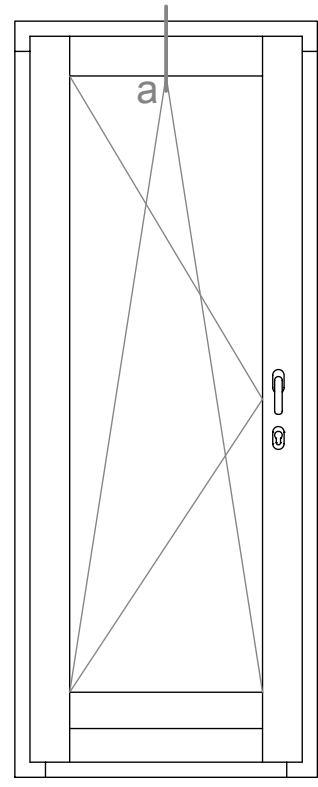
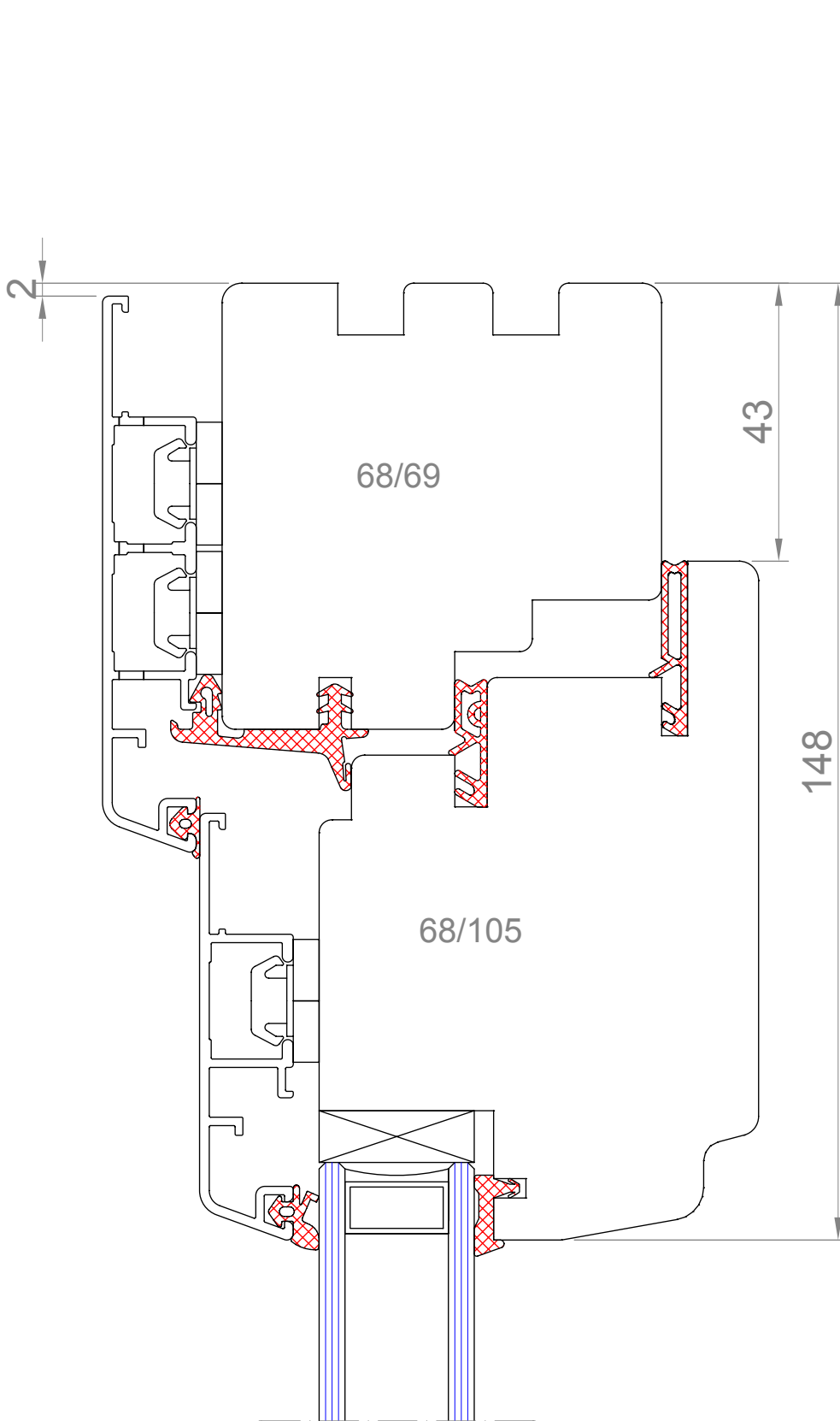
Studio 5 Old School Studios  
 140 Eastgate Street  
 Bury St Edmunds, Suffolk  
 IP33 1XX  
 phone: 01284 705 468  
 www.livingwoodwindows.co.uk  
 sales@livingwoodwindows.co.uk

<b>Livingwood Windows Limited</b>	
Marconi alu clad iv68 2k, Out open entrance door head with 68/86 section 1mm exposed timber and top alu drip	
DATE	14/06/2010
SCALE	do not scale



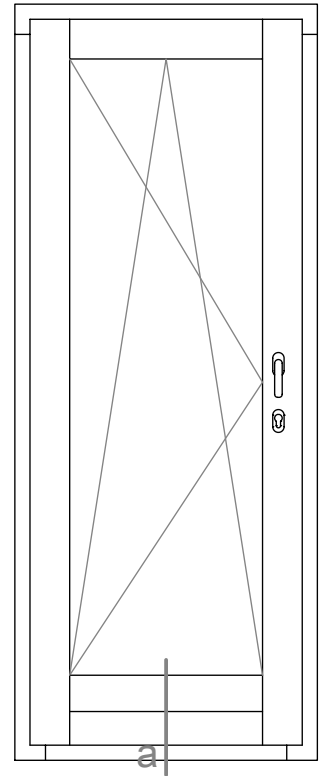
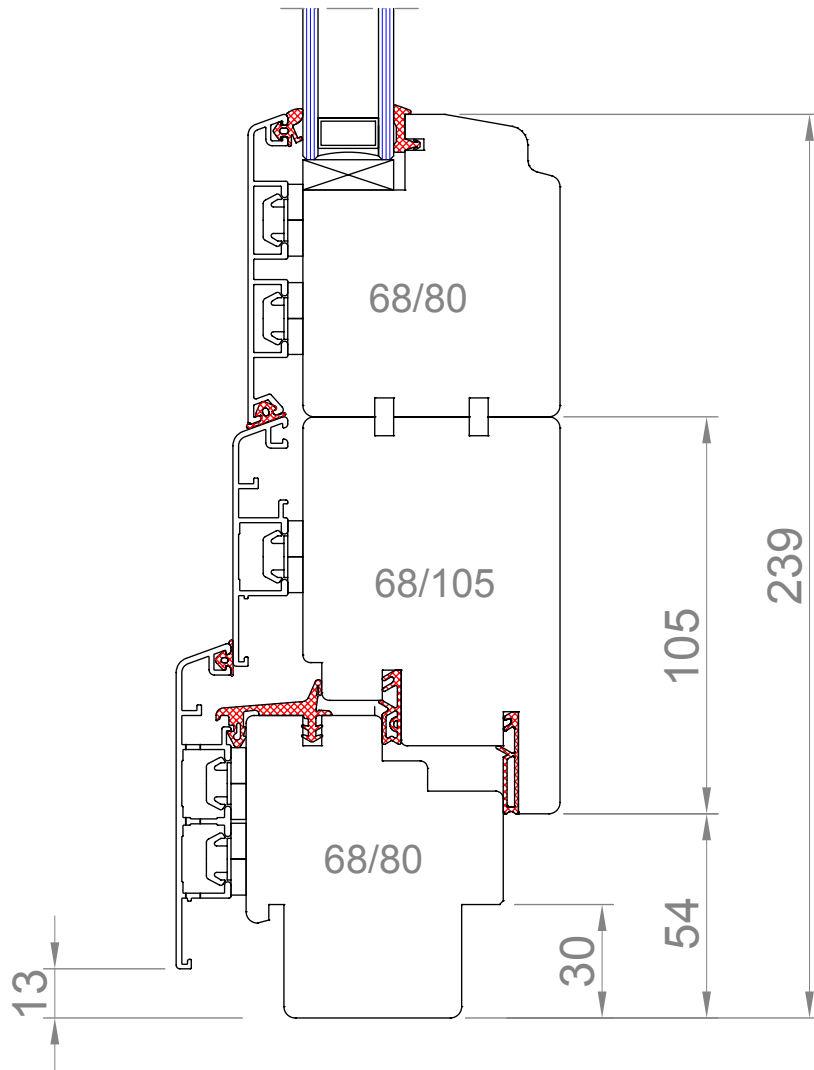
Studio 5 Old School Studios  
 140 Eastgate Street  
 Bury St Edmunds, Suffolk  
 IP33 1XX  
 phone: 01284 705 468  
 www.livingwoodwindows.co.uk  
 sales@livingwoodwindows.co.uk

<b>Livingwood Windows Limited</b>	
Marconi alu clad 2k In open entrance door 159mm section head detail	
DATE	14/06/2010
SCALE	do not scale



Studio 5 Old School Studios  
 140 Eastgate Street  
 Bury St Edmunds, Suffolk  
 IP33 1XX  
 phone: 01284 705 468  
 www.livingwoodwindows.co.uk  
 sales@livingwoodwindows.co.uk

<b>Livingwood Windows Limited</b>	
Marconi alu clad 2k In open entrance door 148mm section head detail	
DATE	14/06/2010
SCALE	do not scale



Studio 5 Old School Studios  
140 Eastgate Street  
Bury St Edmunds, Suffolk  
IP33 1XX

phone: 01284 705 468

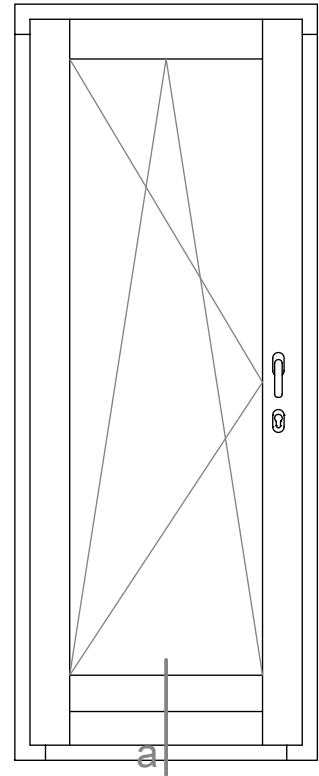
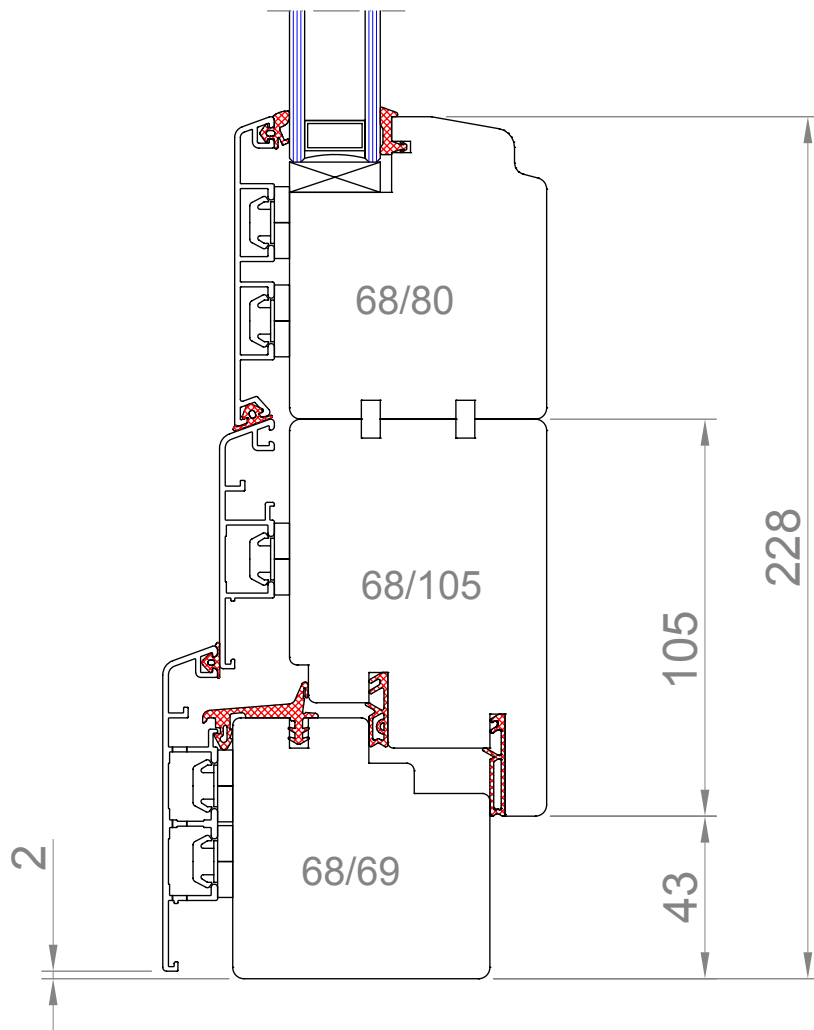
www.livingwoodwindows.co.uk  
sales@livingwoodwindows.co.uk

**Livingwood Windows Limited**

Marconi alu clad iv68 tilt & turn 2k, In Open balcony door  
cill detail 13mm exposed timber and groove for external cill

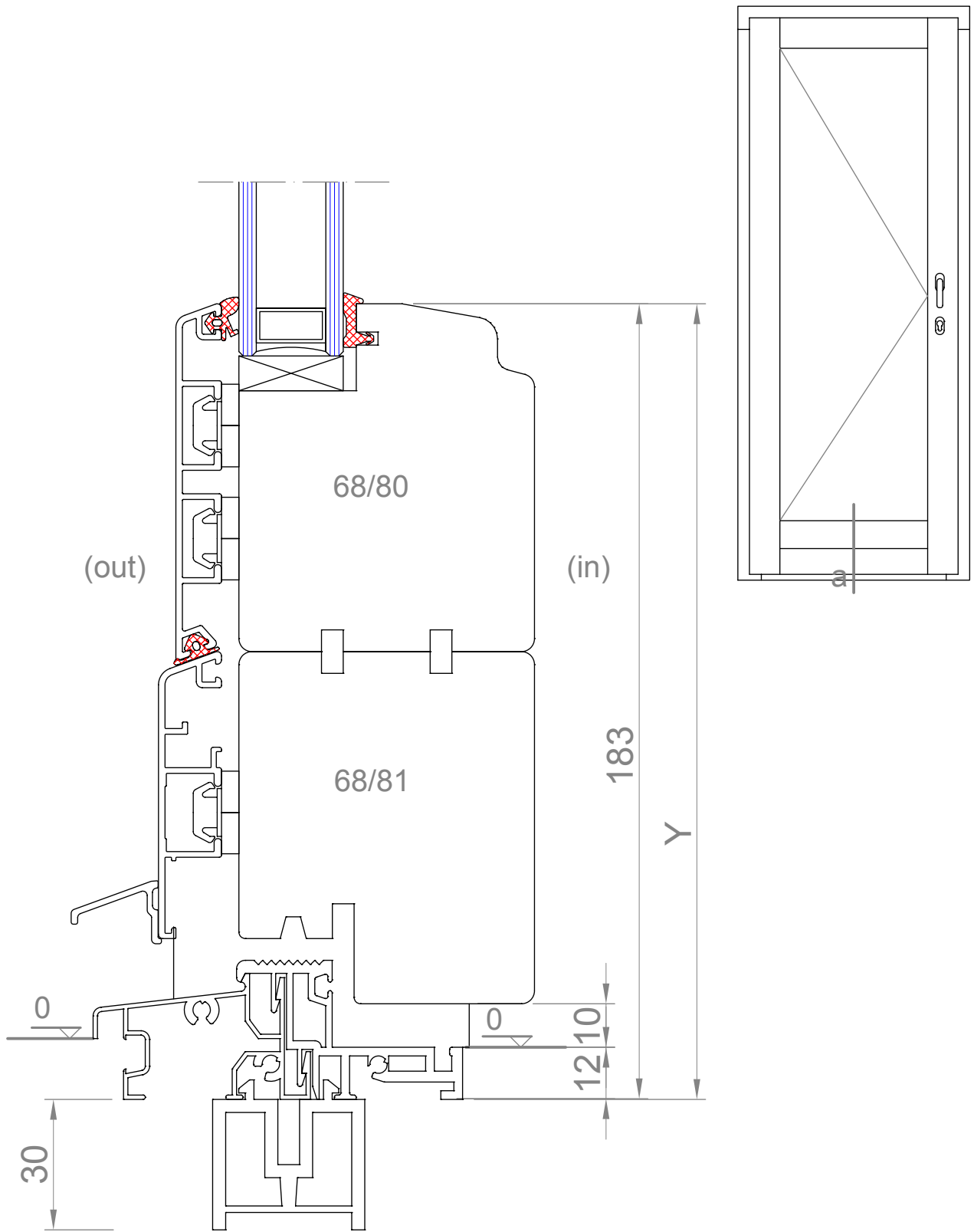
DATE 14/06/2010

SCALE do not scale



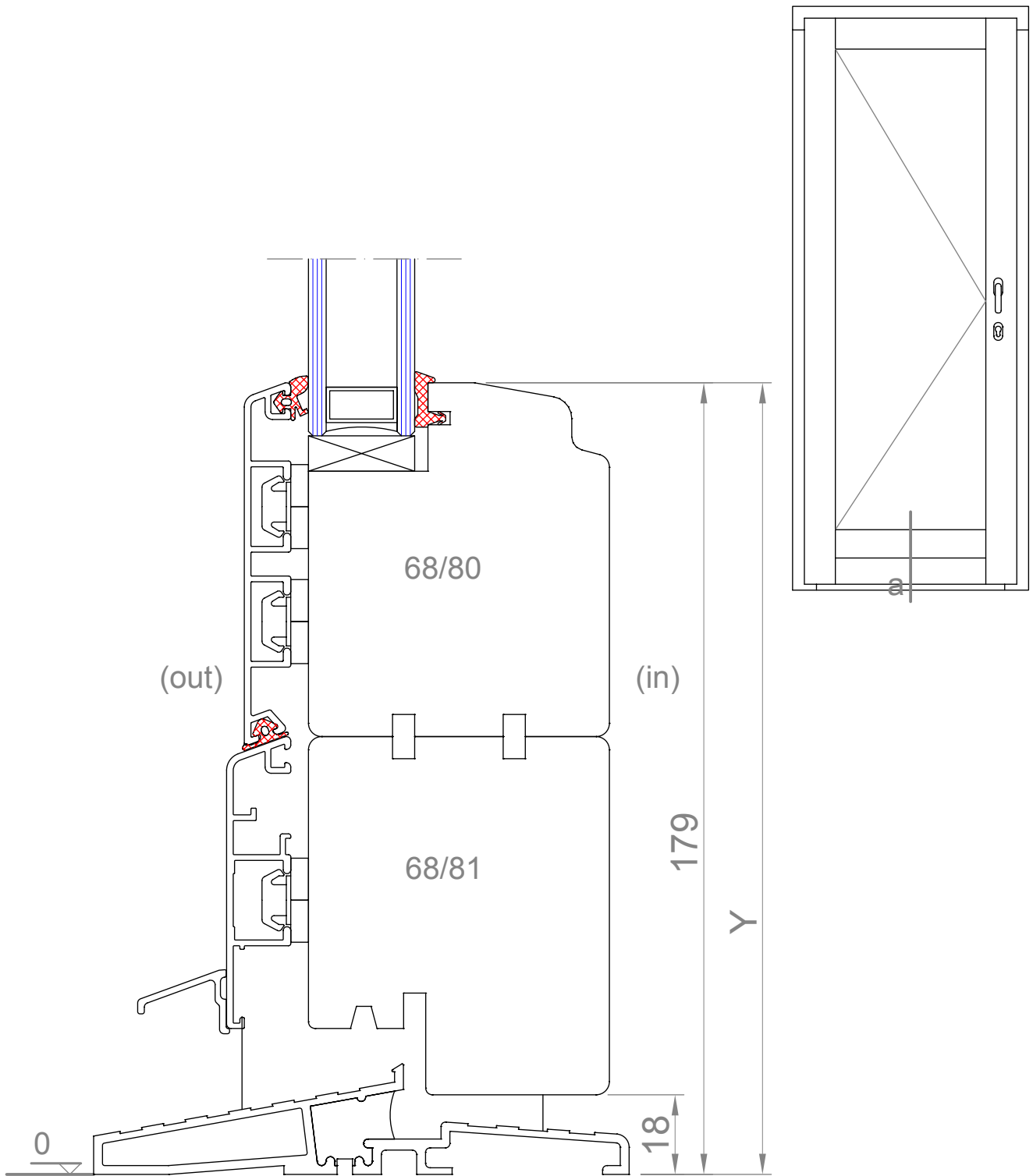
Studio 5 Old School Studios  
 140 Eastgate Street  
 Bury St Edmunds, Suffolk  
 IP33 1XX  
 phone: 01284 705 468  
 www.livingwoodwindows.co.uk  
 sales@livingwoodwindows.co.uk

<b>Livingwood Windows Limited</b>	
Marconi alu clad iv68 tilt & turn 2k, balcony door threshold detail with 2mm exposed timber	
DATE	14/06/2010
SCALE	do not scale



Studio 5 Old School Studios  
 140 Eastgate Street  
 Bury St Edmunds, Suffolk  
 IP33 1XX  
 phone: 01284 705 468  
 www.livingwoodwindows.co.uk  
 sales@livingwoodwindows.co.uk

<b>Livingwood Windows Limited</b>	
Marconi alu clad iv68 2k In open entrance door with Wesser threshold detail	
DATE	14/06/2010
SCALE	do not scale



Studio 5 Old School Studios  
 140 Eastgate Street  
 Bury St Edmunds, Suffolk  
 IP33 1XX

phone: 01284 705 468

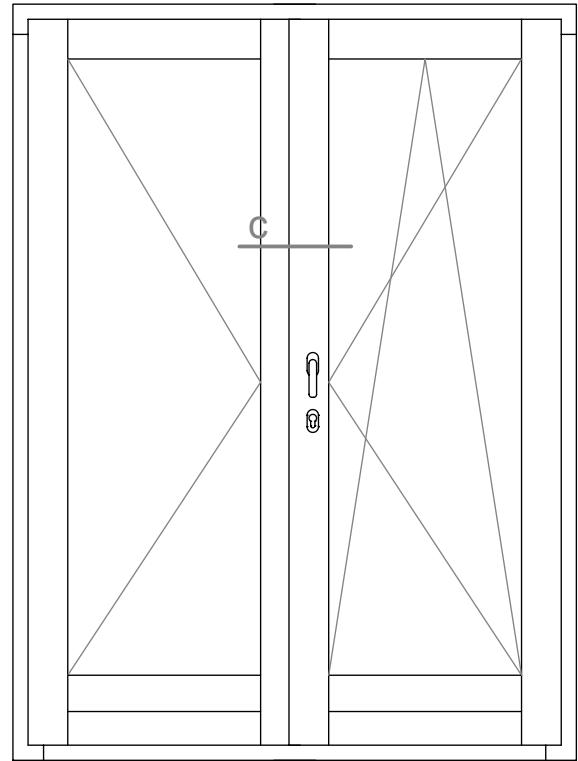
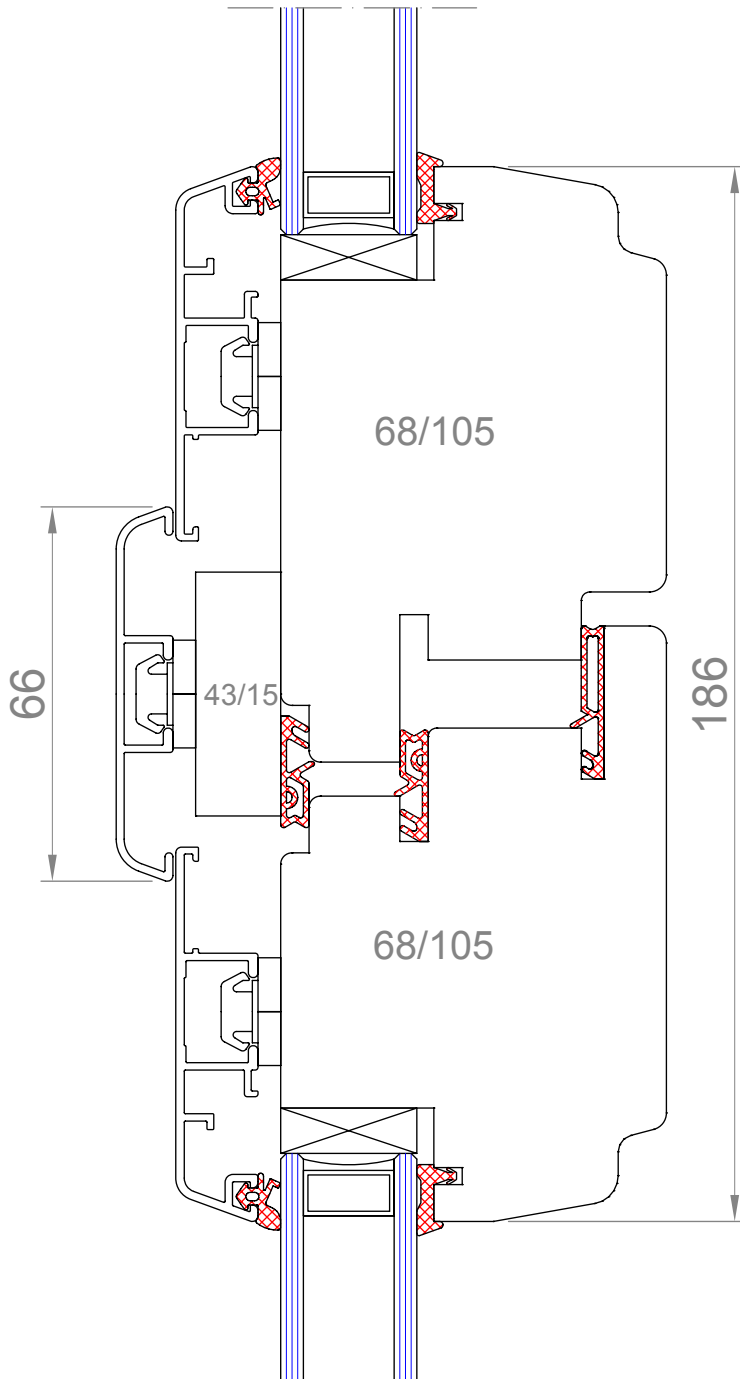
www.livingwoodwindows.co.uk  
 sales@livingwoodwindows.co.uk

**Livingwood Windows Limited**

Marconi alu clad iv68 2k  
 In open entrance door with Daffa threshold detail

DATE 14/06/2010

SCALE do not scale



Studio 5 Old School Studios  
 140 Eastgate Street  
 Bury St Edmunds, Suffolk  
 IP33 1XX

phone: 01284 705 468

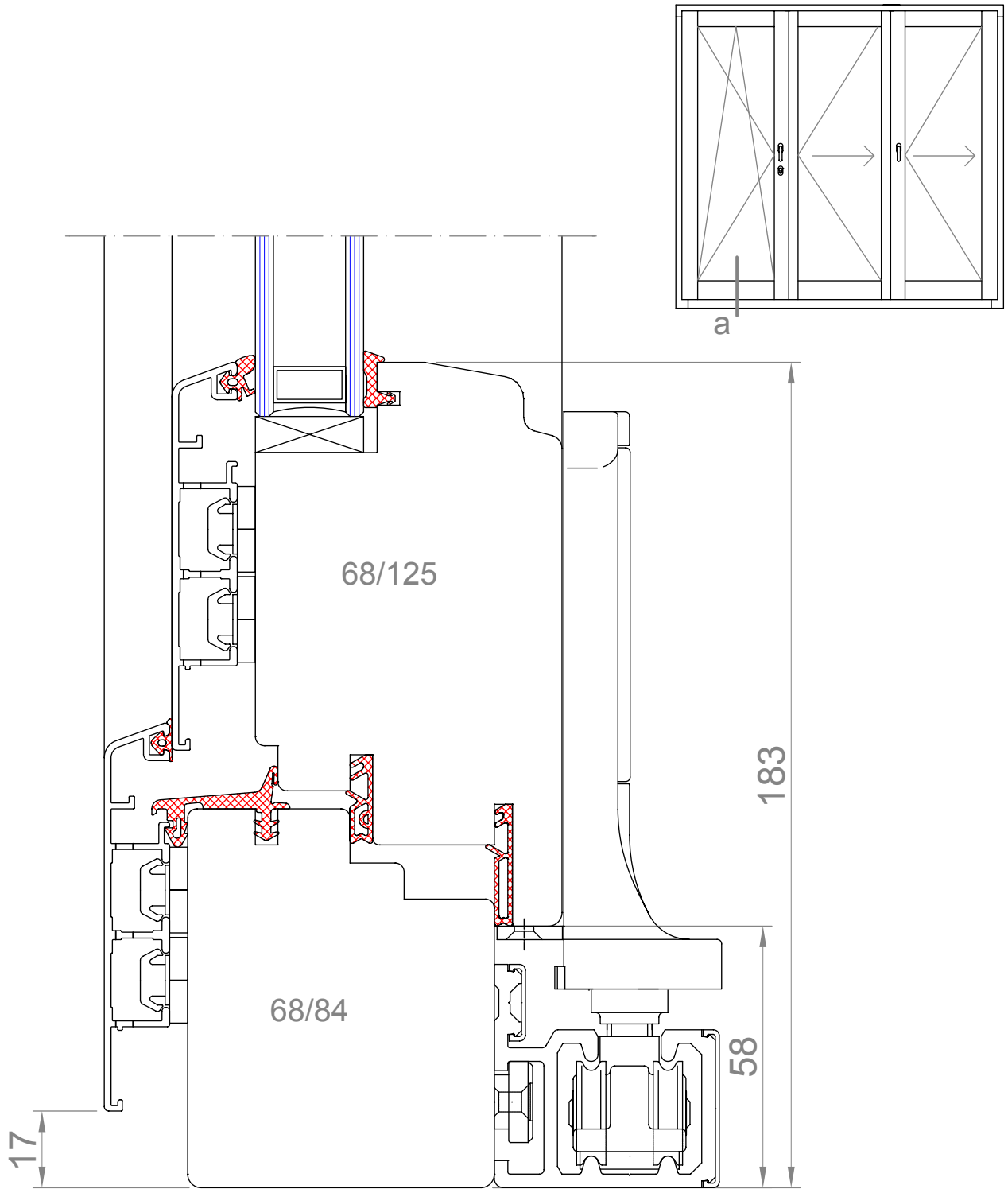
www.livingwoodwindows.co.uk  
 sales@livingwoodwindows.co.uk

**Livingwood Windows Limited**

Marconi alu clad iv68 2k  
 Pair in open doors with 66mm meeting detail

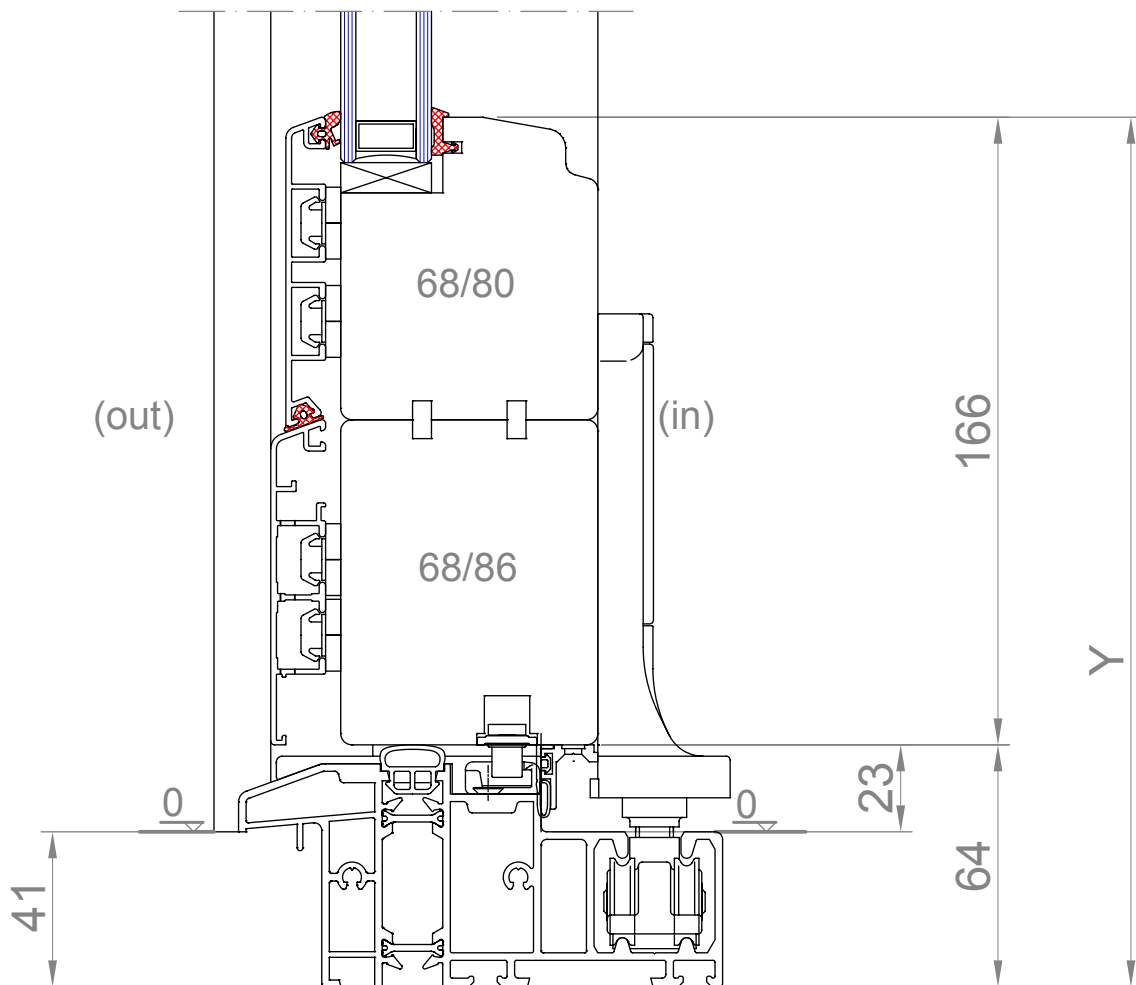
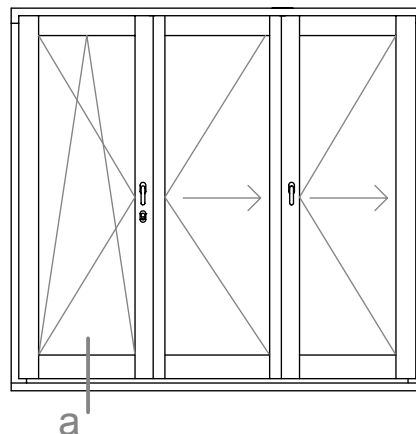
DATE 14/06/2010

SCALE do not scale



Studio 5 Old School Studios  
 140 Eastgate Street  
 Bury St Edmunds, Suffolk  
 IP33 1XX  
 phone: 01284 705 468  
 www.livingwoodwindows.co.uk  
 sales@livingwoodwindows.co.uk

<b>Livingwood Windows Limited</b>	
Roto alu clad in open bifold door 2k Timber threshold detail	
DATE	14/06/2010
SCALE	do not scale



Studio 5 Old School Studios  
 140 Eastgate Street  
 Bury St Edmunds, Suffolk  
 IP33 1XX

phone: 01284 705 468

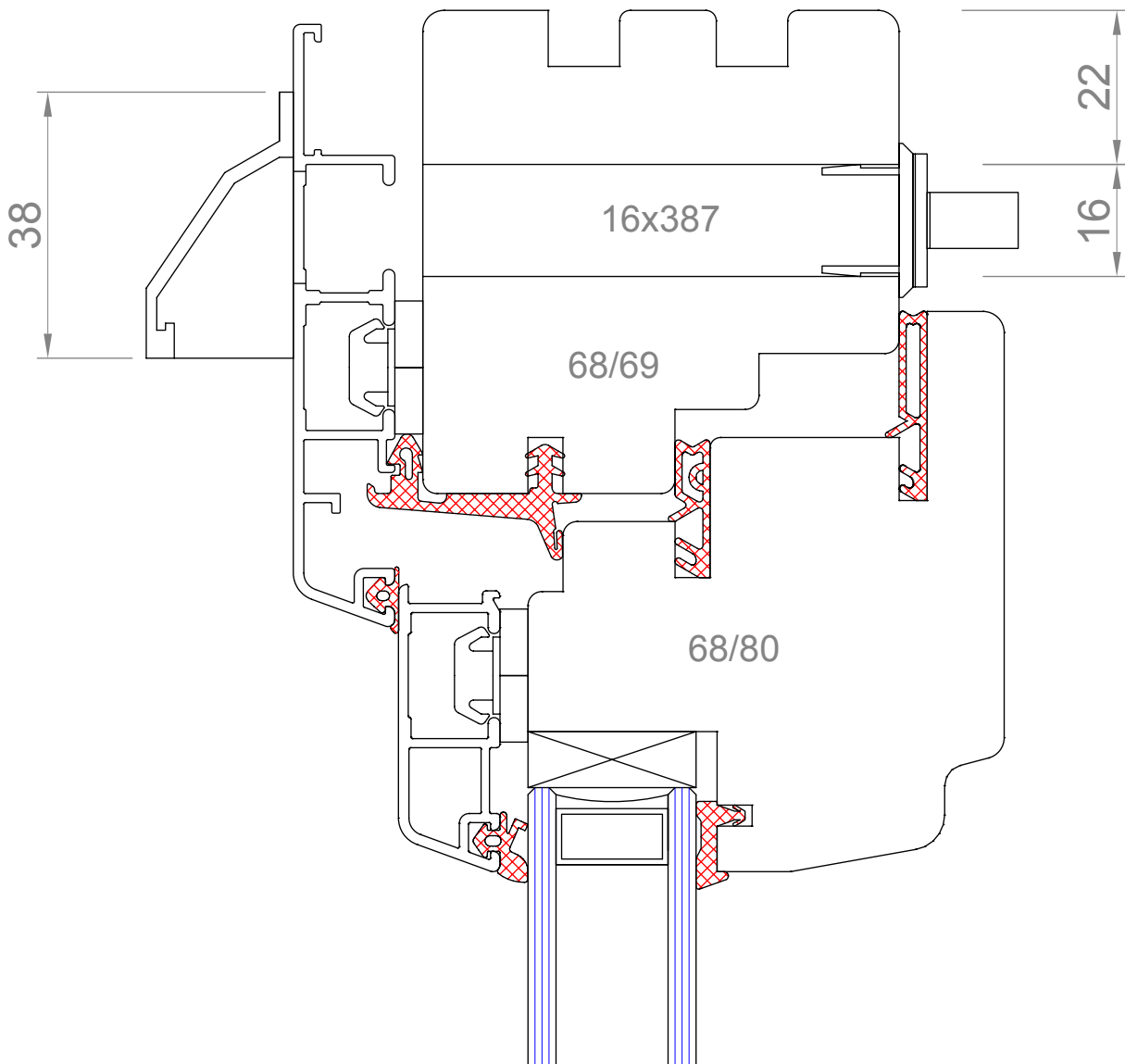
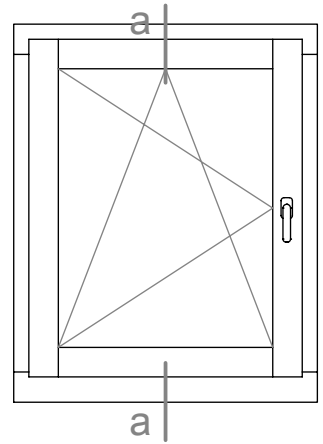
www.livingwoodwindows.co.uk  
 sales@livingwoodwindows.co.uk

**Livingwood Windows Limited**

Roto alu clad in open bifold door 2k  
 Alu mobility threshold detail

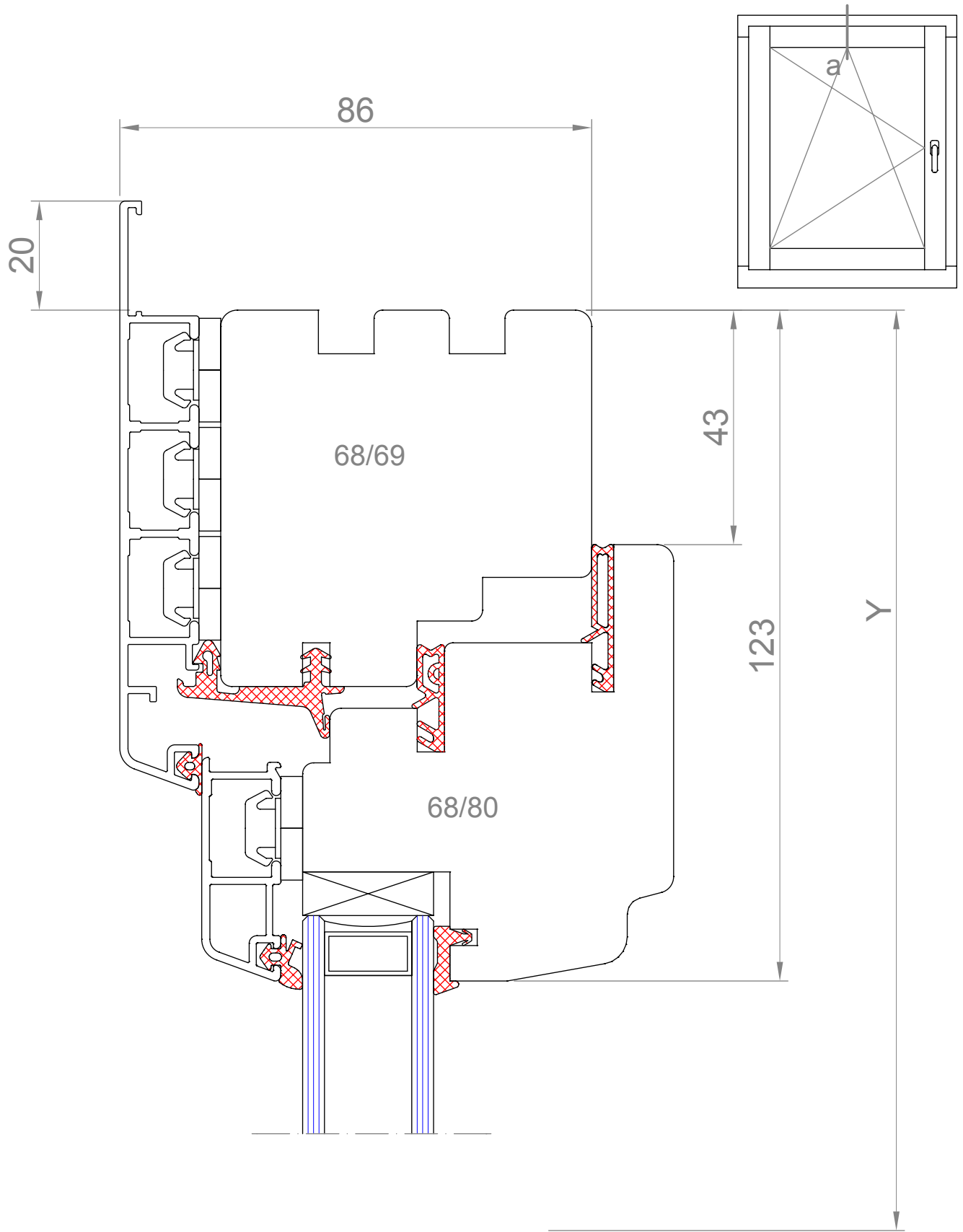
DATE 14/06/2010

SCALE do not scale



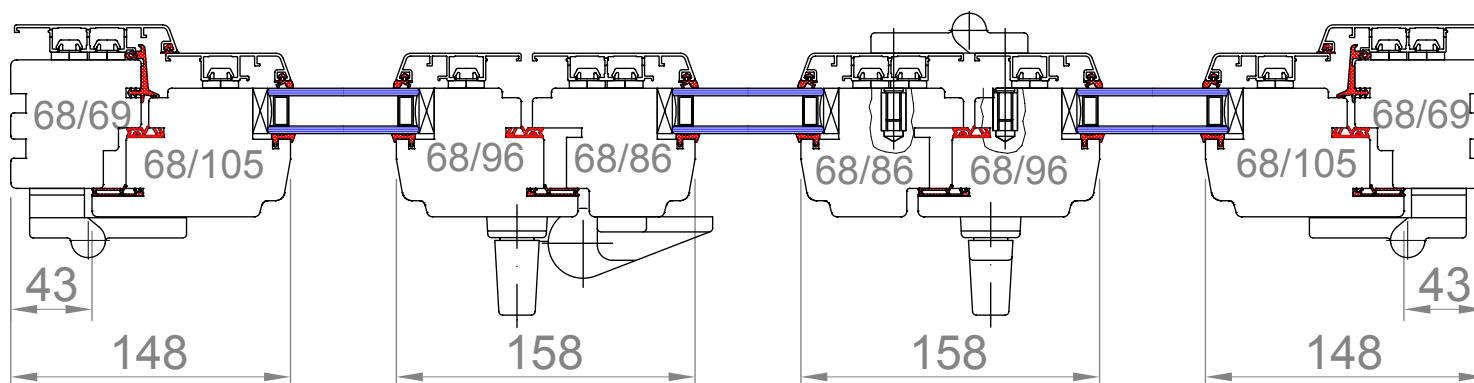
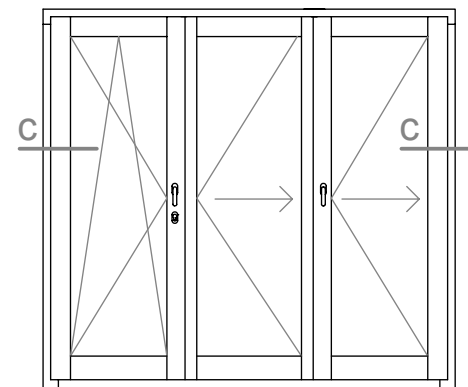
Studio 5 Old School Studios  
 140 Eastgate Street  
 Bury St Edmunds, Suffolk  
 IP33 1XX  
 phone: 01284 705 468  
 www.livingwoodwindows.co.uk  
 sales@livingwoodwindows.co.uk

<b>Livingwood Windows Limited</b>	
Marconi alu clad iv68 tilt and turn 2k Head trickle vent detail	
DATE	14/06/2010
SCALE	do not scale



Studio 5 Old School Studios  
 140 Eastgate Street  
 Bury St Edmunds, Suffolk  
 IP33 1XX  
 phone: 01284 705 468  
 www.livingwoodwindows.co.uk  
 sales@livingwoodwindows.co.uk

<b>Livingwood Windows Limited</b>	
Marconi alu clad iv68 tilt & turn 2k 20mm alu extension detail at head	
DATE	14/06/2010
SCALE	do not scale



Studio 5 Old School Studios  
140 Eastgate Street  
Bury St Edmunds, Suffolk  
IP33 1XX

phone: 01284 705 468

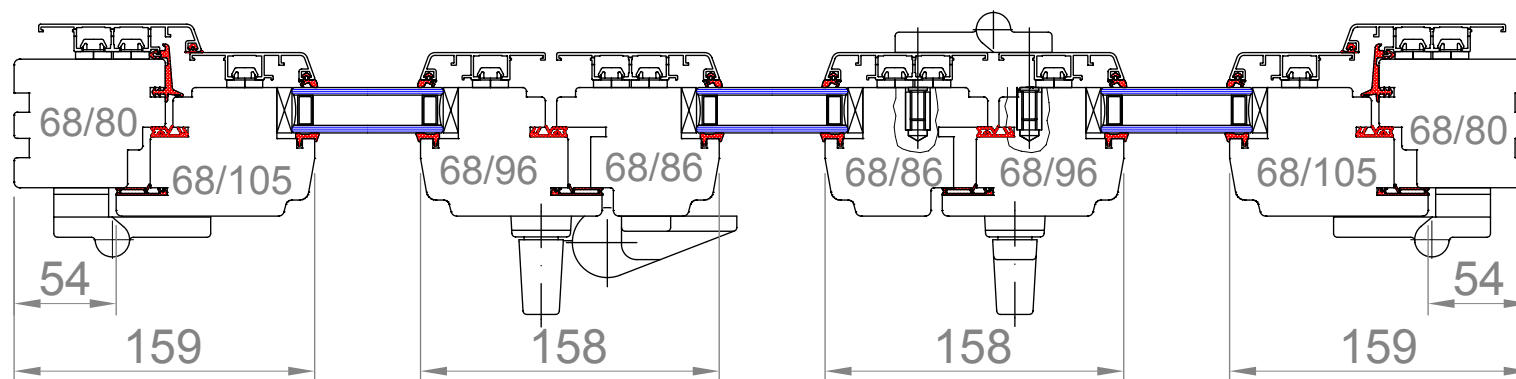
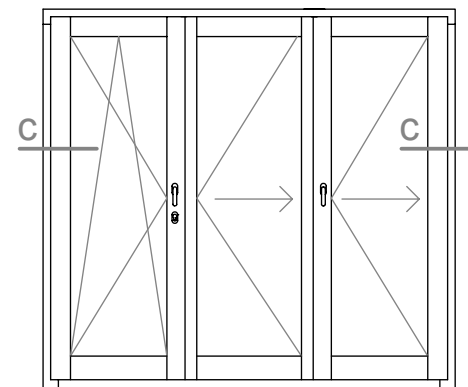
www.livingwoodwindows.co.uk  
sales@livingwoodwindows.co.uk

**Livingwood Windows Limited**

Roto alu clad in open bifold door 2k  
Plan through sash's with 43mm frame

DATE 14/06/2010

SCALE do not scale



Studio 5 Old School Studios  
140 Eastgate Street  
Bury St Edmunds, Suffolk  
IP33 1XX

phone: 01284 705 468

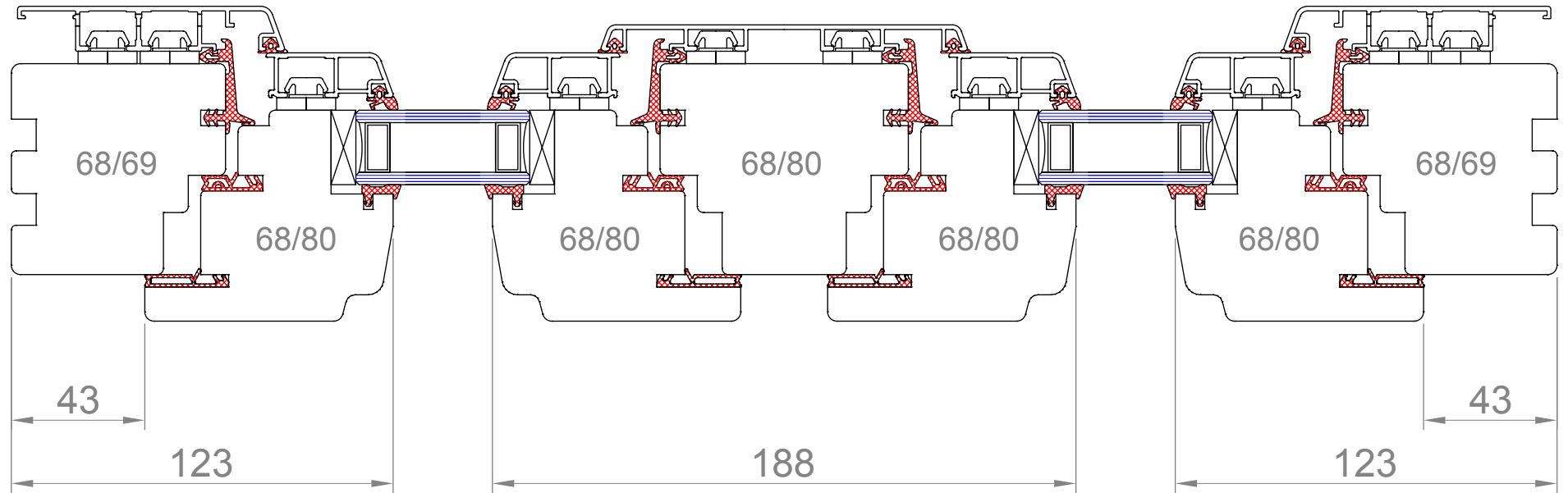
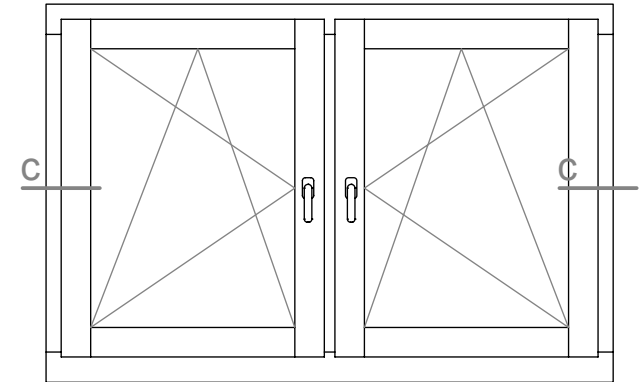
www.livingwoodwindows.co.uk  
sales@livingwoodwindows.co.uk

**Livingwood Windows Limited**

Roto alu clad in open bifold door 2k  
Plan through sash's with 54mm frame

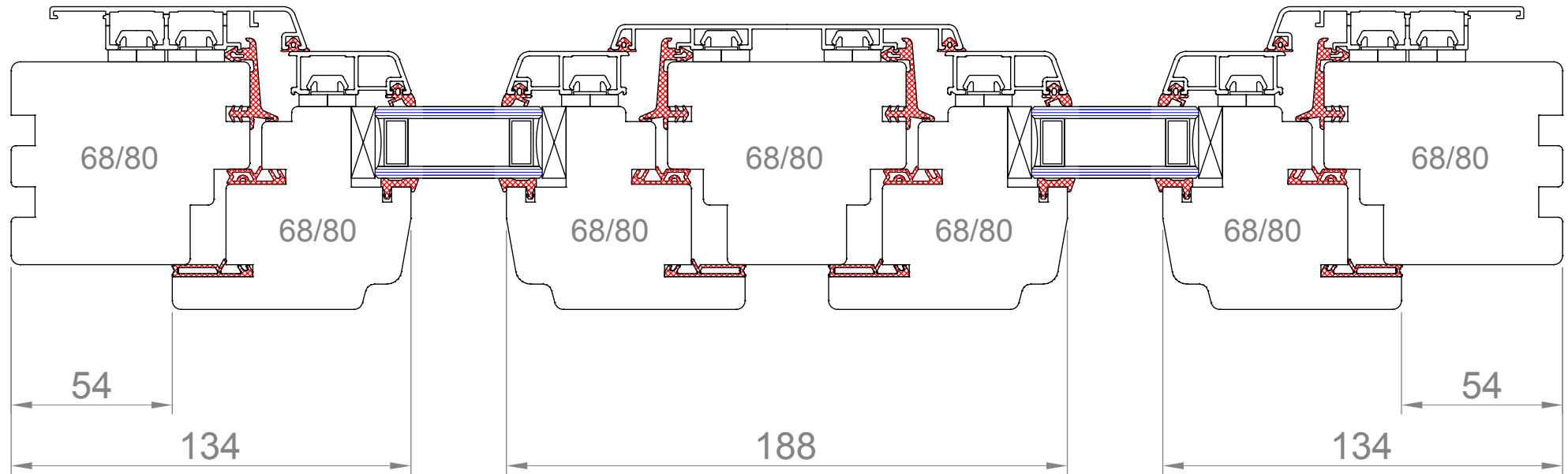
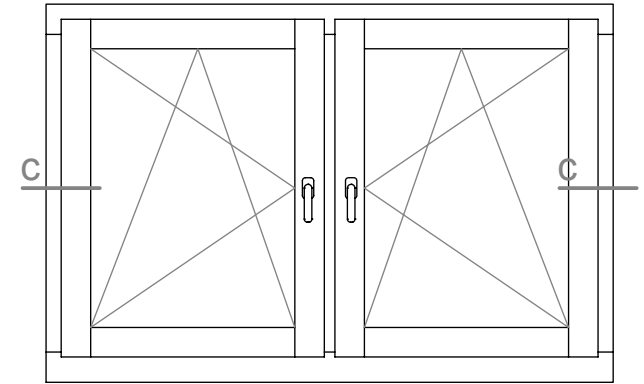
DATE 14/06/2010

SCALE do not scale



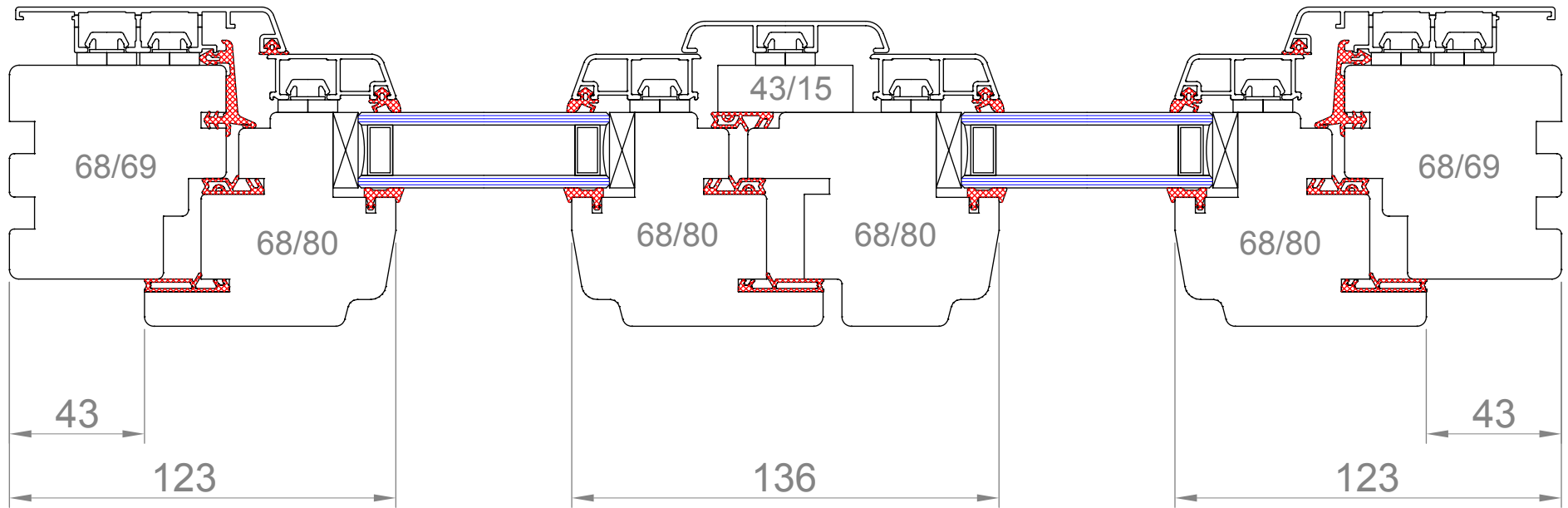
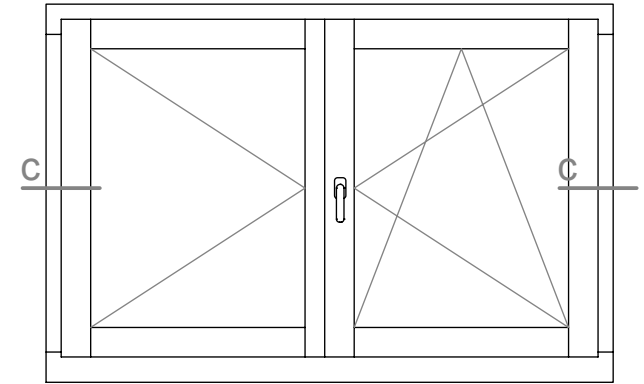
Studio 5 Old School Studios  
 140 Eastgate Street  
 Bury St Edmunds, Suffolk  
 IP33 1XX  
 phone: 01284 705 468  
 www.livingwoodwindows.co.uk  
 sales@livingwoodwindows.co.uk

<b>Livingwood Windows Limited</b>	
Marconi alu clad iv68 tilt & turn 2k, plan of pair of tilt and turn windows with 188mm structural mullion and 43mm frame	
DATE	14/06/2010
SCALE	do not scale



Studio 5 Old School Studios  
 140 Eastgate Street  
 Bury St Edmunds, Suffolk  
 IP33 1XX  
 phone: 01284 705 468  
 www.livingwoodwindows.co.uk  
 sales@livingwoodwindows.co.uk

<b>Livingwood Windows Limited</b>	
Marconi alu clad iv68 tilt & turn 2k, plan of pair of tilt and turn windows with 188mm structural mullion and 54mm frame	
DATE	14/06/2010
SCALE	do not scale



Studio 5 Old School Studios  
140 Eastgate Street  
Bury St Edmunds, Suffolk  
IP33 1XX

phone: 01284 705 468

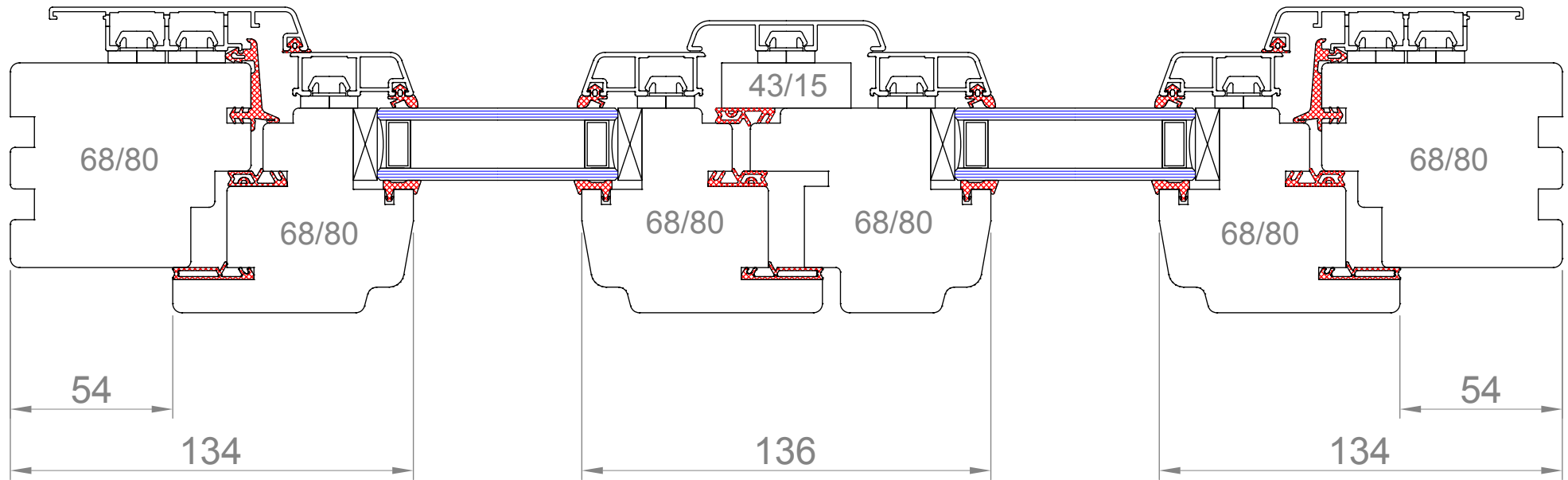
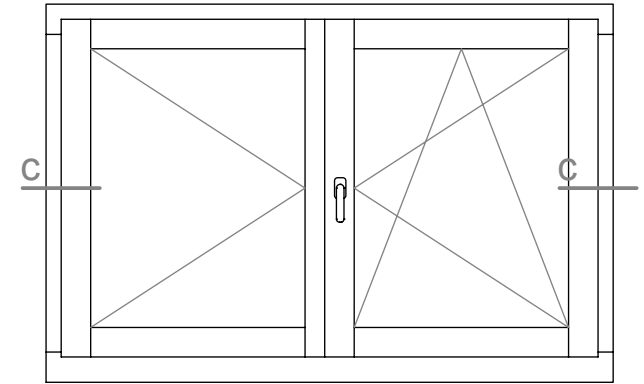
www.livingwoodwindows.co.uk  
sales@livingwoodwindows.co.uk

**Livingwood Windows Limited**

Marconi alu clad iv68 tilt & turn 2k, plan of pair of tilt and turn windows with 136mm structural mullion and 43mm frame

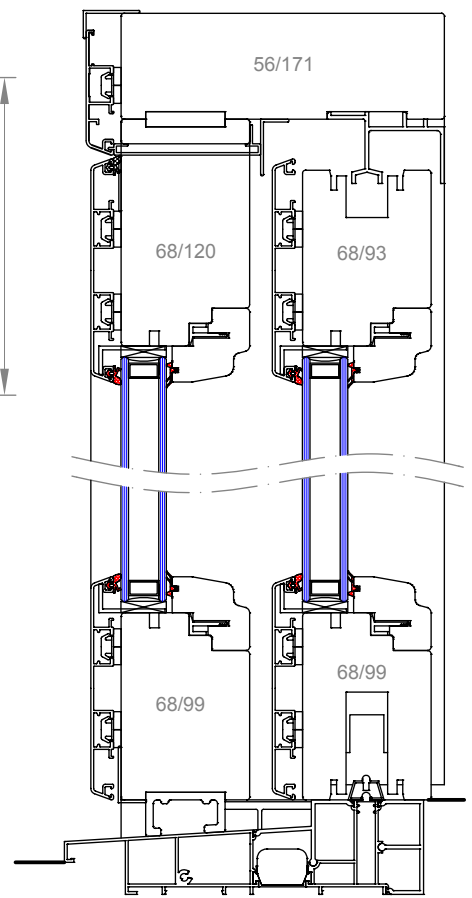
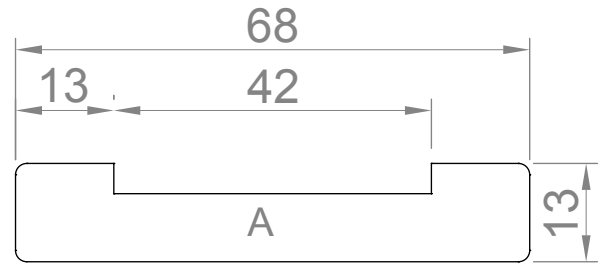
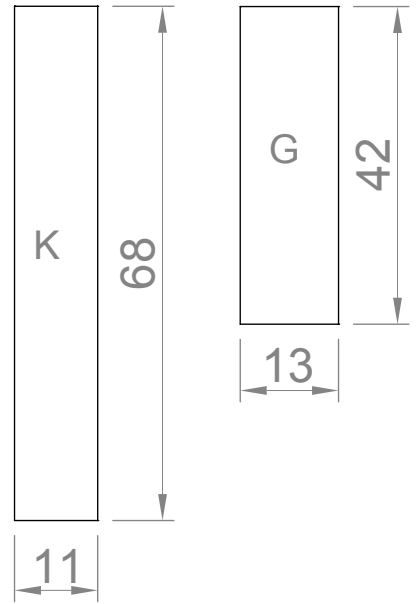
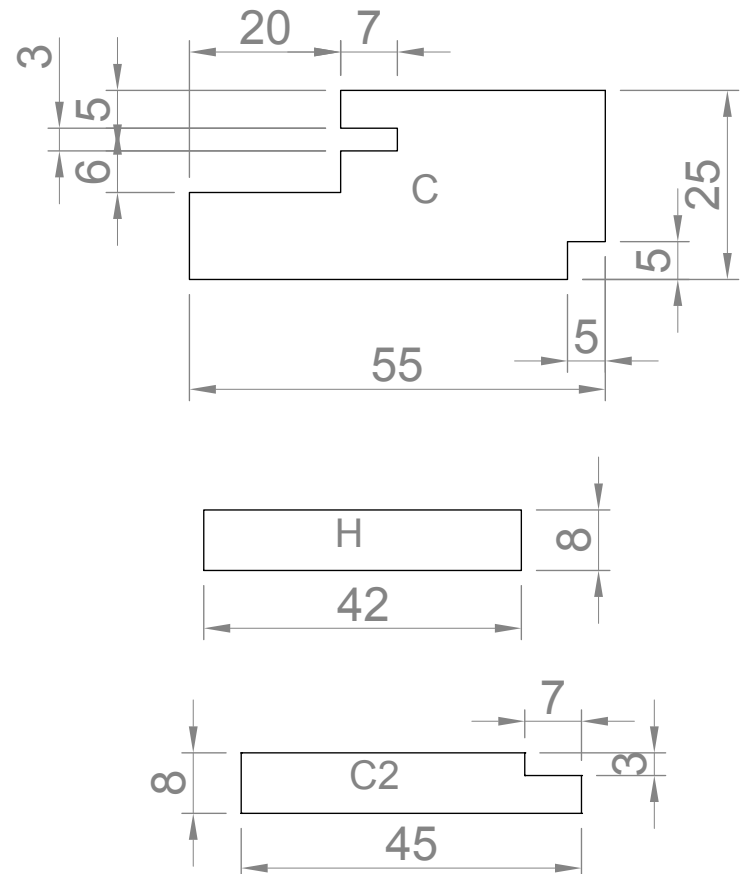
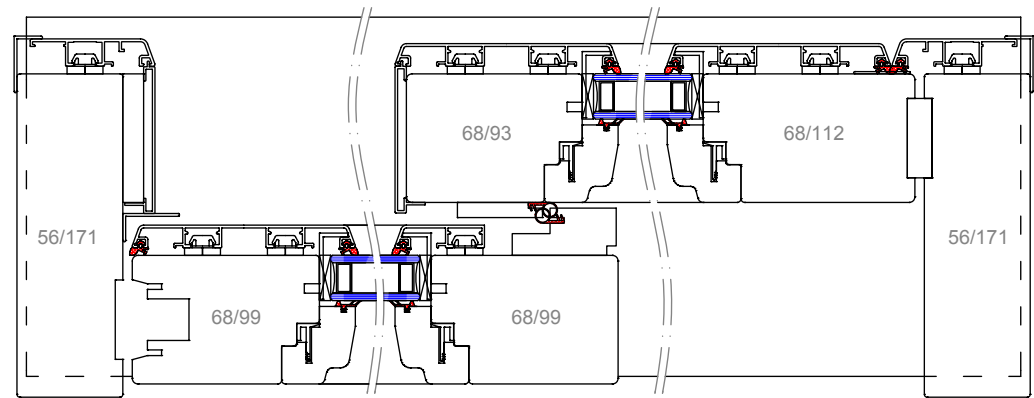
DATE 14/06/2010

SCALE do not scale



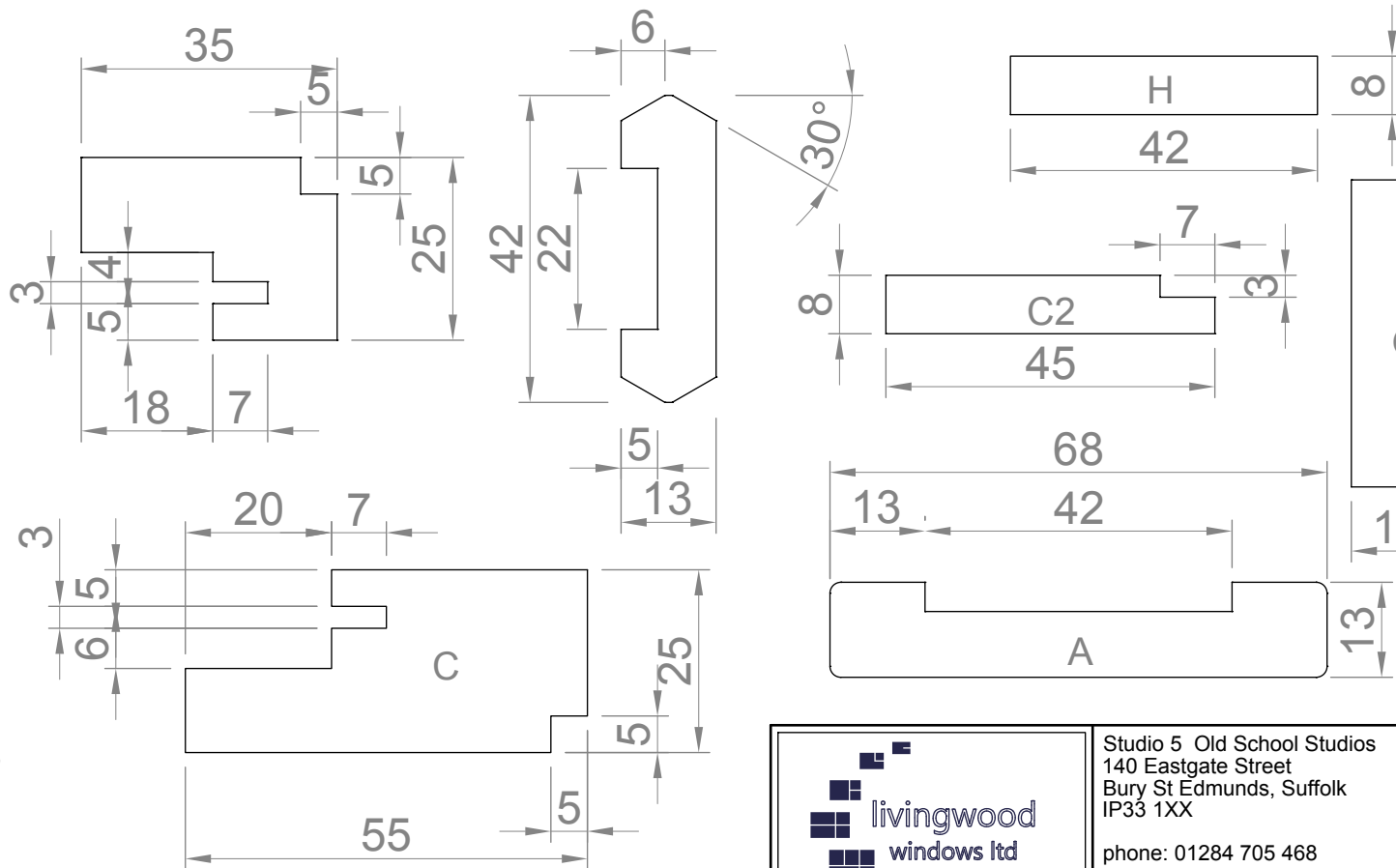
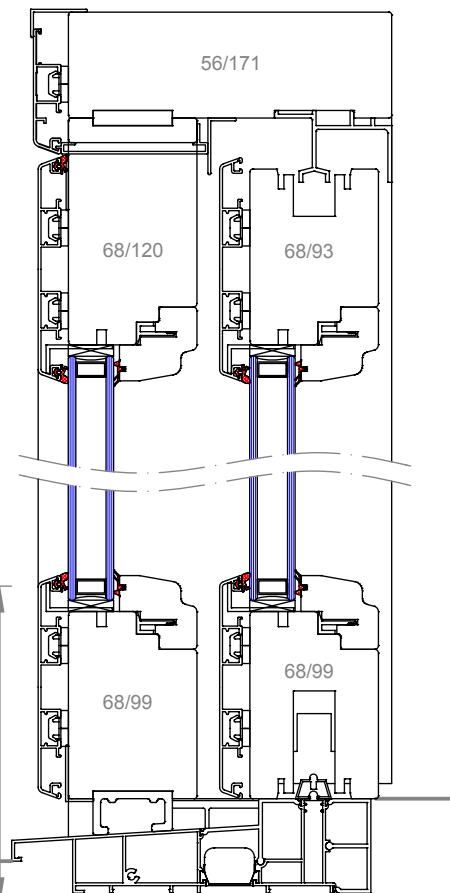
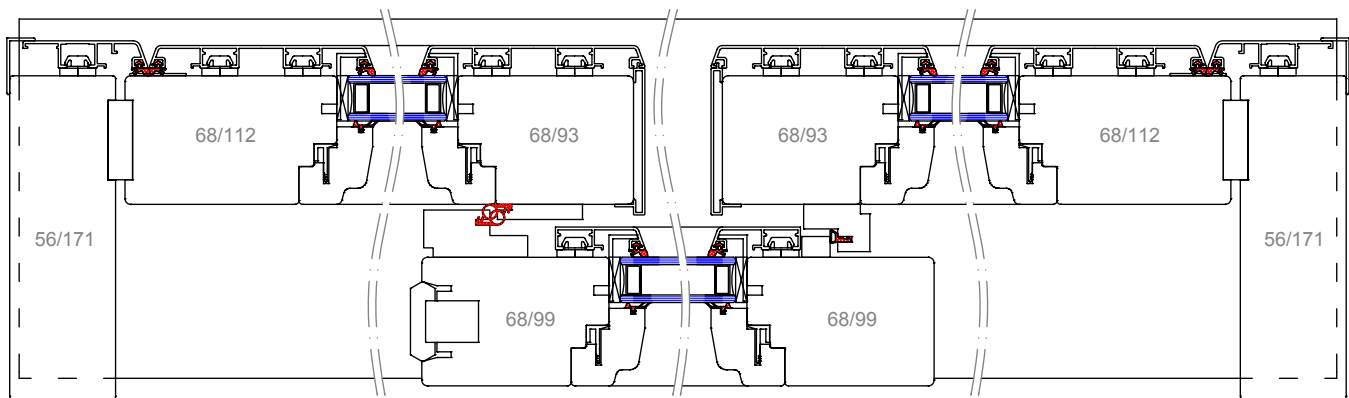
Studio 5 Old School Studios  
 140 Eastgate Street  
 Bury St Edmunds, Suffolk  
 IP33 1XX  
 phone: 01284 705 468  
 www.livingwoodwindows.co.uk  
 sales@livingwoodwindows.co.uk

<b>Livingwood Windows Limited</b>	
Marconi alu clad iv68 tilt & turn 2k, plan of pair of tilt and turn windows with 136mm structural mullion and 54mm frame	
DATE	14/06/2010
SCALE	do not scale



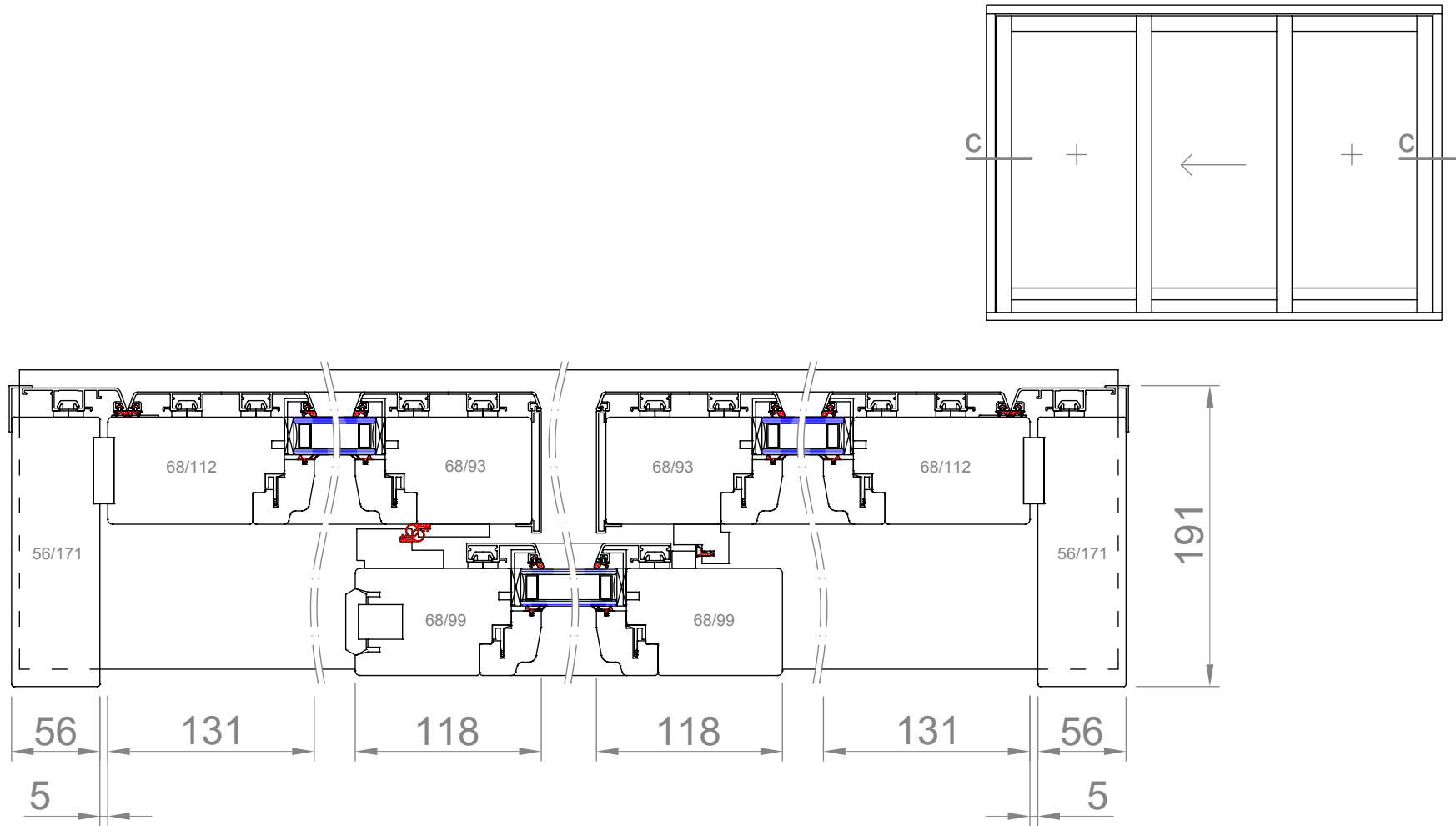
Studio 5 Old School Studios  
 140 Eastgate Street  
 Bury St Edmunds, Suffolk  
 IP33 1XX  
 phone: 01284 705 468  
 www.livingwoodwindows.co.uk  
 sales@livingwoodwindows.co.uk

<b>Livingwood Windows Limited</b>	
Marconi alu clad lift and slide door 2k Plans and sections of two track door diagram A	
DATE	14/06/2010
SCALE	do not scale



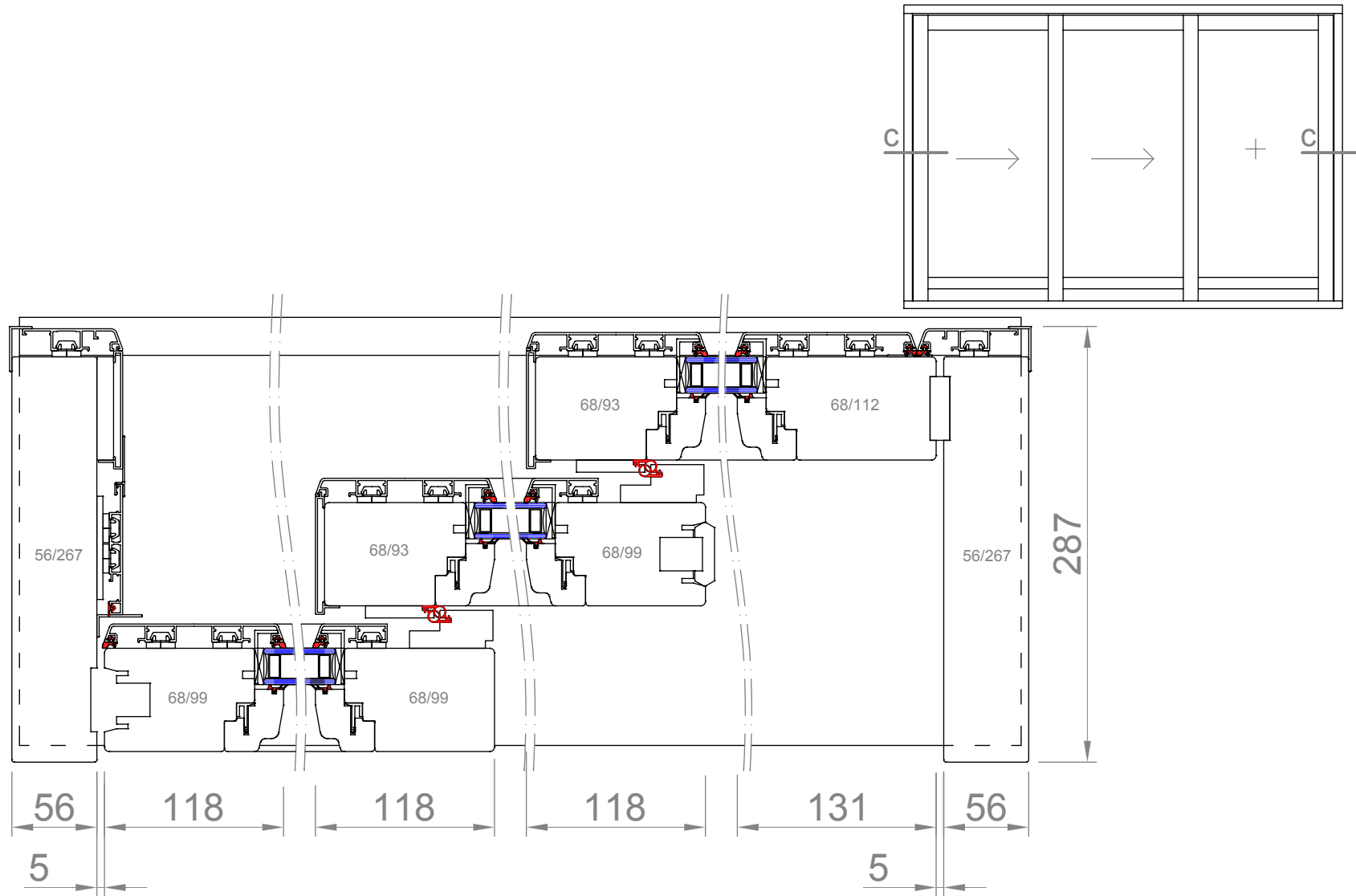
Studio 5 Old School Studios  
 140 Eastgate Street  
 Bury St Edmunds, Suffolk  
 IP33 1XX  
 phone: 01284 705 468  
 www.livingwoodwindows.co.uk  
 sales@livingwoodwindows.co.uk

<b>Livingwood Windows Limited</b>	
Marconi alu clad lift and slide door 2k Plans and sections of two track door diagram C	
DATE	14/06/2010
SCALE	do not scale



Studio 5 Old School Studios  
 140 Eastgate Street  
 Bury St Edmunds, Suffolk  
 IP33 1XX  
 phone: 01284 705 468  
 www.livingwoodwindows.co.uk  
 sales@livingwoodwindows.co.uk

<b>Livingwood Windows Limited</b>	
Marconi alu clad lift and slide door 2k Plans of two track door diagram C	
DATE	14/06/2010
SCALE	do not scale



Studio 5 Old School Studios  
 140 Eastgate Street  
 Bury St Edmunds, Suffolk  
 IP33 1XX

phone: 01284 705 468

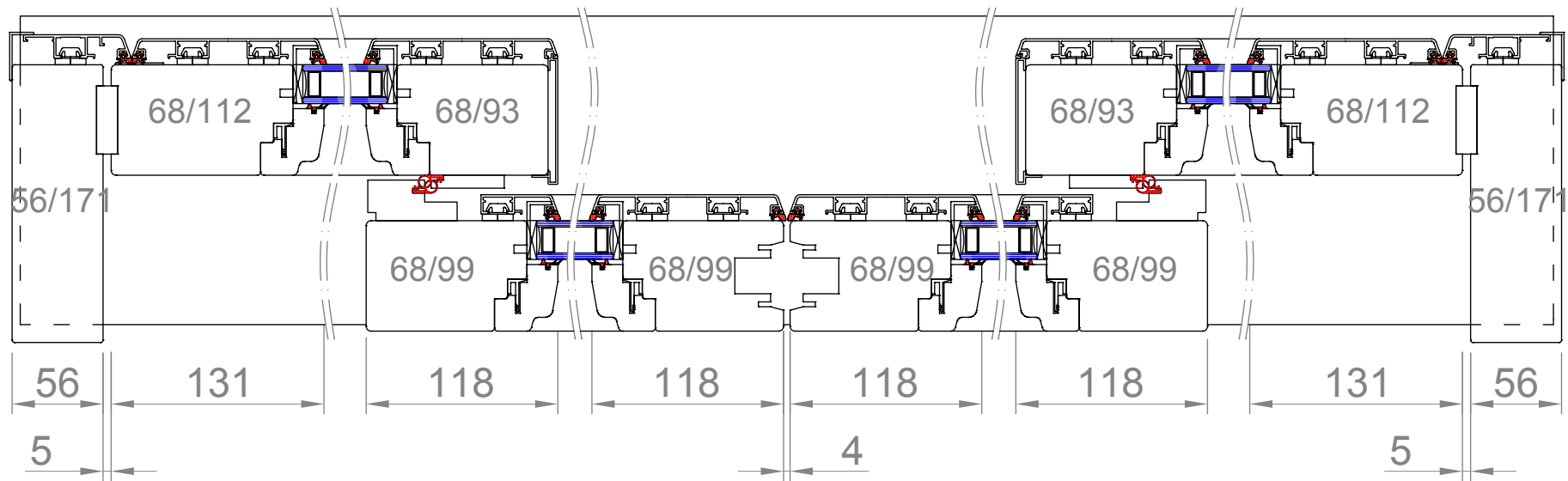
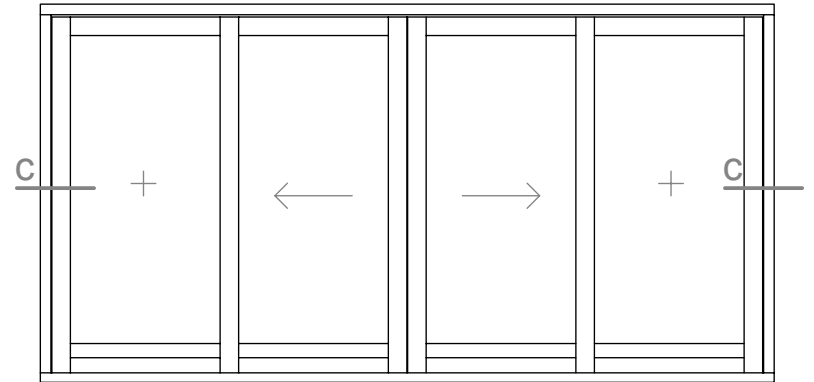
www.livingwoodwindows.co.uk  
 sales@livingwoodwindows.co.uk

**Livingwood Windows Limited**

Marconi alu clad lift and slide door 2k  
 Plan of triple track door diagram H

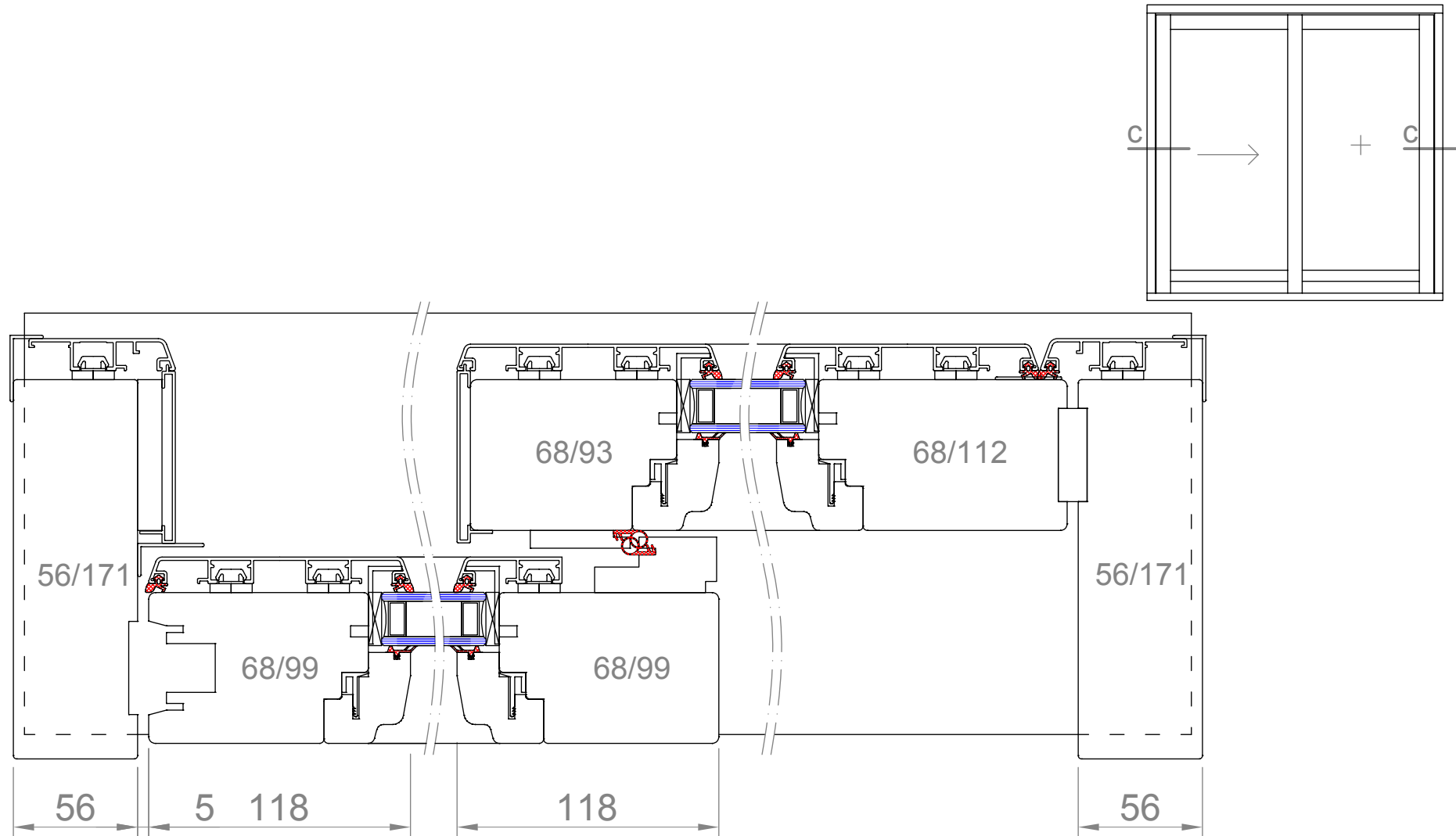
DATE 14/06/2010

SCALE do not scale



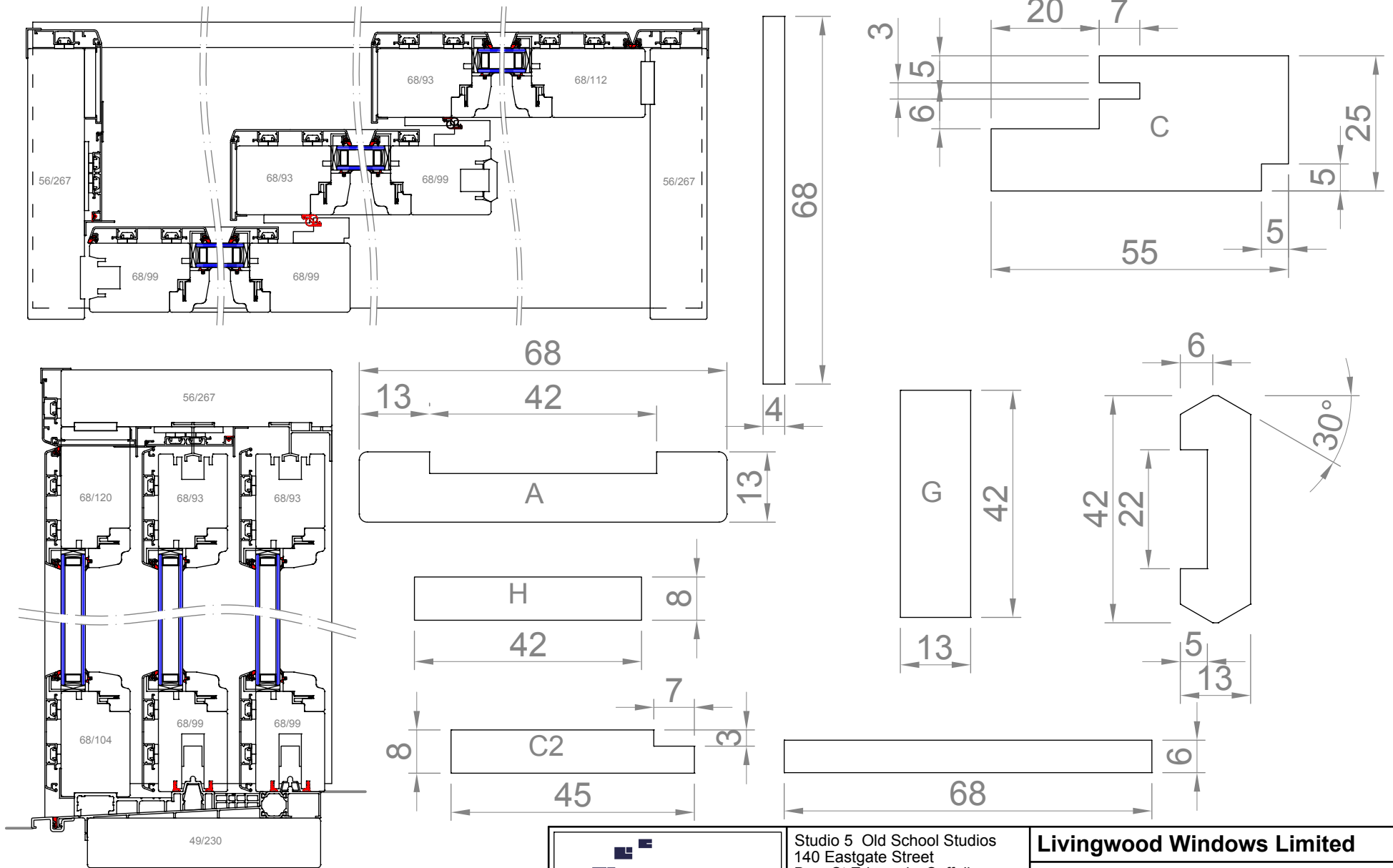
Studio 5 Old School Studios  
 140 Eastgate Street  
 Bury St Edmunds, Suffolk  
 IP33 1XX  
 phone: 01284 705 468  
 www.livingwoodwindows.co.uk  
 sales@livingwoodwindows.co.uk

<b>Livingwood Windows Limited</b>	
Marconi alu clad lift and slide door 2k Plan of two track door diagram E	
DATE	14/06/2010
SCALE	do not scale



Studio 5 Old School Studios  
 140 Eastgate Street  
 Bury St Edmunds, Suffolk  
 IP33 1XX  
 phone: 01284 705 468  
 www.livingwoodwindows.co.uk  
 sales@livingwoodwindows.co.uk

<b>Livingwood Windows Limited</b>	
Marconi alu clad lift and slide door 2k Plans and sections of two track door diagram A	
DATE	14/06/2010
SCALE	do not scale



Studio 5 Old School Studios  
 140 Eastgate Street  
 Bury St Edmunds, Suffolk  
 IP33 1XX  
 phone: 01284 705 468  
 www.livingwoodwindows.co.uk  
 sales@livingwoodwindows.co.uk

<b>Livingwood Windows Limited</b>	
Marconi alu clad lift and slide door 2k Plans and sections of three track door diagram H	
DATE	14/06/2010
SCALE	do not scale